

180599 ✓ ACTIVE

SOLISTRAND

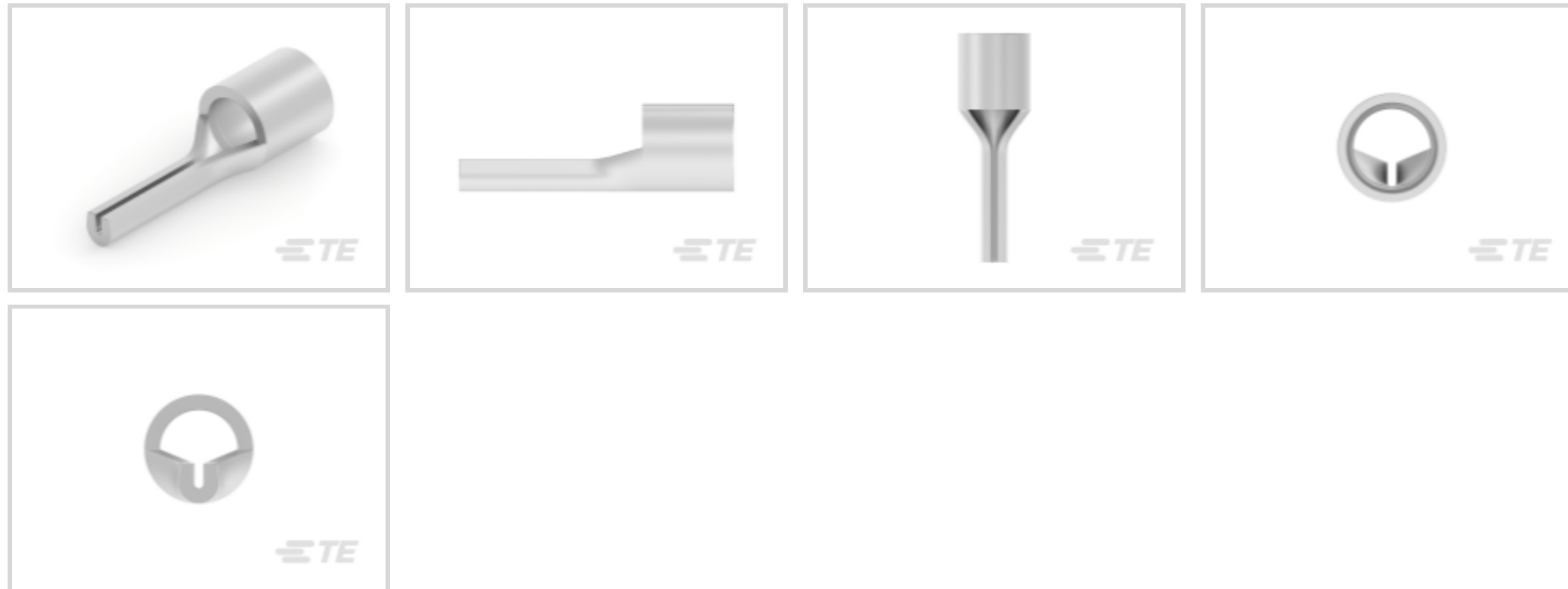
TE Internal #: 180599

Wire Pin, Mating Pin Diameter 2.6 mm [.102 in], 8 AWG Wire Size, 8 mm² Wire Size, 13100 – 20800 CMA Wire Size, Crimp Wire Pins, Tabs & Ferrules

[View on TE.com >](#)



Terminals & Splices > Crimp Wire Pins, Tabs & Ferrules



Crimp Wire Terminal Type: **Wire Pin**

Mating Pin Diameter: **2.6 mm [.102 in]**

Wire Size: **13100 – 20800 CMA**

Features

Contact Features

Crimp Wire Terminal Type	Wire Pin
Mating Pin Diameter	2.6 mm [.102 in]
Barrel Type	Closed
Terminal Plating Material	Tin
Contact Shape & Form	Round
Terminal Orientation	Straight
Contact Fabrication	Stamped & Formed

Dimensions

Wire Size	13100 – 20800 CMA
Barrel Inside Diameter	4.7 mm [.185 in]
Terminal Material Thickness	.99 mm [.039 in]
Overall Product Length	22 mm [.866 in]

Packaging Features

Packaging Method	Box
Packaging Quantity	500



Configuration Features

Compatible With Wire & Cable Type	Discrete Wire
-----------------------------------	---------------

Product Type Features

Compatible With Discrete Wire Type	Stranded
Wire Insulation Support Retention Type	Non-Insulation Support
Sealable	No

Usage Conditions

Insulation Option	Uninsulated
Operating Temperature Range	170 °C[338 °F]

Mechanical Attachment

Wire Insulation Support	Without
-------------------------	---------

Other

EU RoHS Compliance	Compliant
EU ELV Compliance	Compliant

Product Compliance

[For compliance documentation, visit the product page on TE.com>](#)

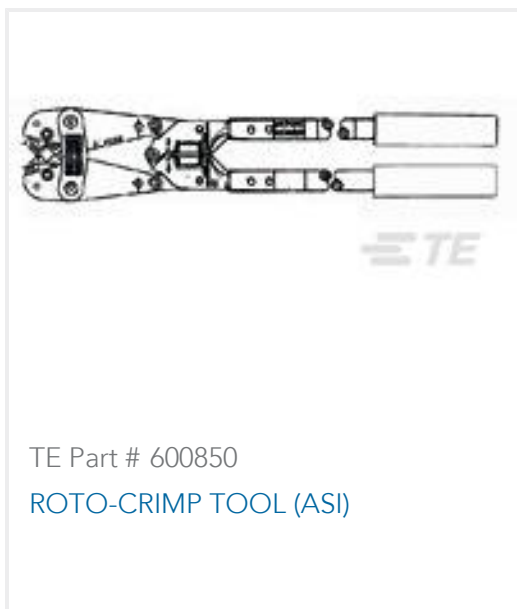
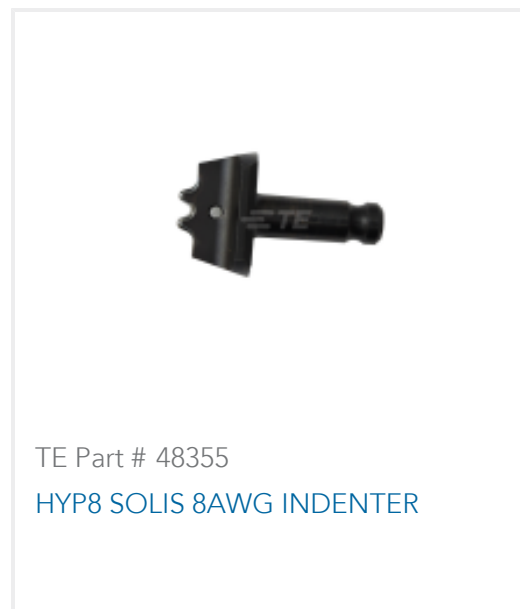
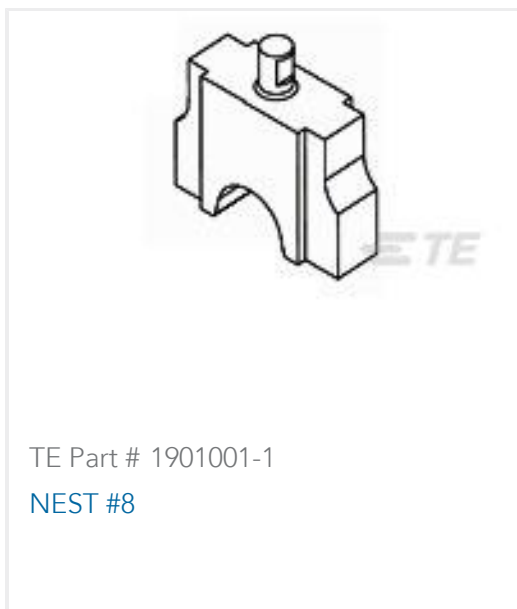
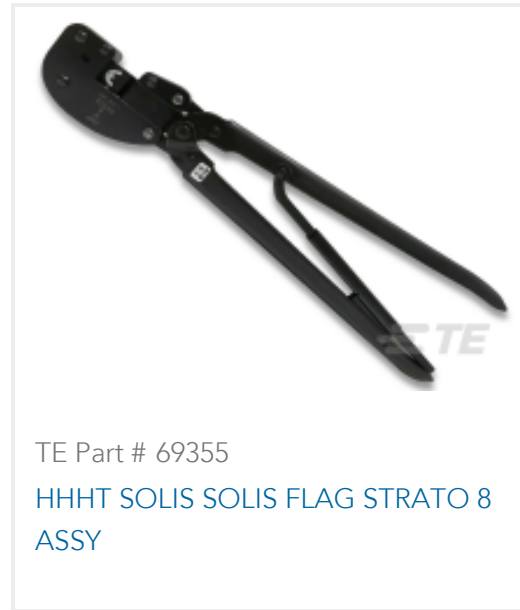
EU RoHS Directive 2011/65/EU	Compliant
EU ELV Directive 2000/53/EC	Compliant
China RoHS 2 Directive MIIT Order No 32, 2016	No Restricted Materials Above Threshold
EU REACH Regulation (EC) No. 1907/2006	Current ECHA Candidate List: JUNE 2024 (241) Candidate List Declared Against: JUNE 2024 (241) Does not contain REACH SVHC
Halogen Content	Low Halogen - Br, Cl, F, I < 900 ppm per homogenous material. Also BFR/CFR/PVC Free
Solder Process Capability	Not applicable for solder process capability

Product Compliance Disclaimer

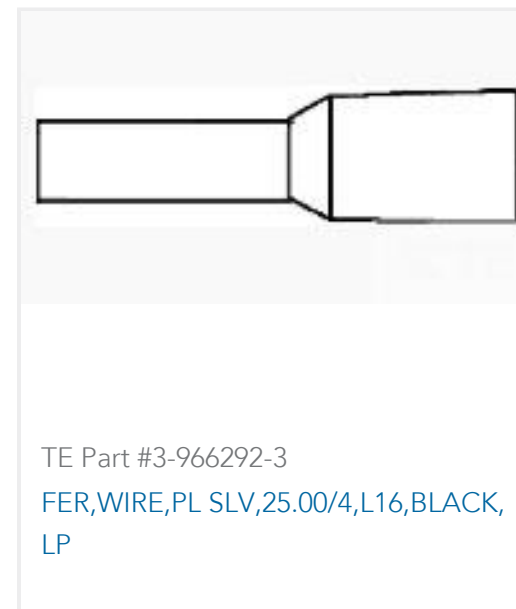
This information is provided based on reasonable inquiry of our suppliers and represents our current actual knowledge based on the information they provided. This information is subject to change. The part numbers that TE has identified as EU RoHS compliant have a maximum concentration of 0.1% by weight in homogenous materials for lead, hexavalent chromium, mercury, PBB, PBDE, DBP, BBP, DEHP, DIBP, and 0.01% for cadmium, or qualify for an exemption to these limits as defined in the Annexes of Directive 2011/65/EU (RoHS2). Finished electrical and electronic equipment products will be CE marked as required by Directive 2011/65/EU. Components may not be CE marked. Additionally, the part numbers that TE has identified as EU ELV compliant have a maximum concentration of 0.1% by weight in homogenous materials for lead, hexavalent chromium, and mercury, and 0.01% for cadmium, or qualify for an exemption to these limits

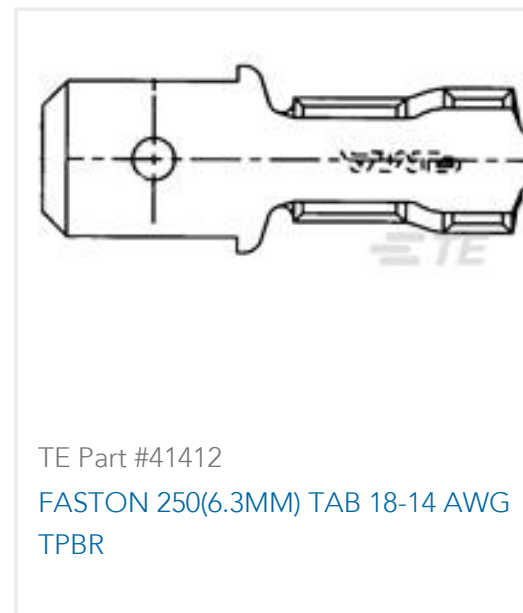
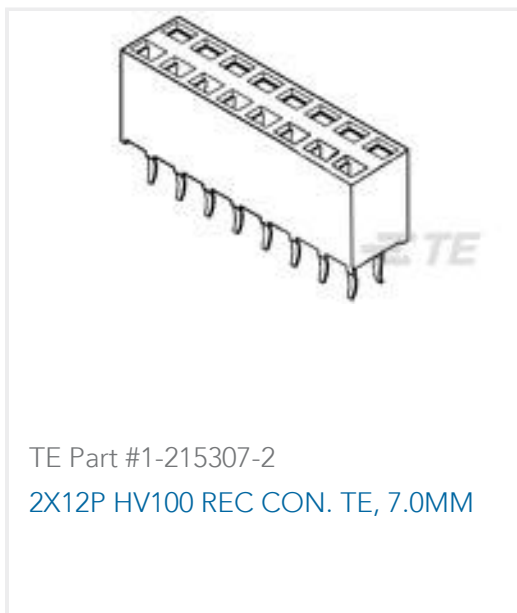
as defined in the Annexes of Directive 2000/53/EC (ELV). Regarding the REACH Regulation, the information TE provides on SVHC in articles for this part number is based on the latest European Chemicals Agency (ECHA) 'Guidance on requirements for substances in articles' posted at this URL: <https://echa.europa.eu/guidance-documents/guidance-on-reach>

Compatible Parts



Customers Also Bought





Documents

Product Drawings

SOLIS 8 WIRE PIN

English

CAD Files

Customer View Model

[ENG_CVM_CVM_180599_F1.2d_dxf.zip](#)

English

Customer View Model

[ENG_CVM_CVM_180599_F1.3d_igs.zip](#)

English

3D PDF

3D

Customer View Model

[ENG_CVM_CVM_180599_F1.3d_stp.zip](#)

English

By downloading the CAD file I accept and agree to the [Terms and Conditions](#) of use.