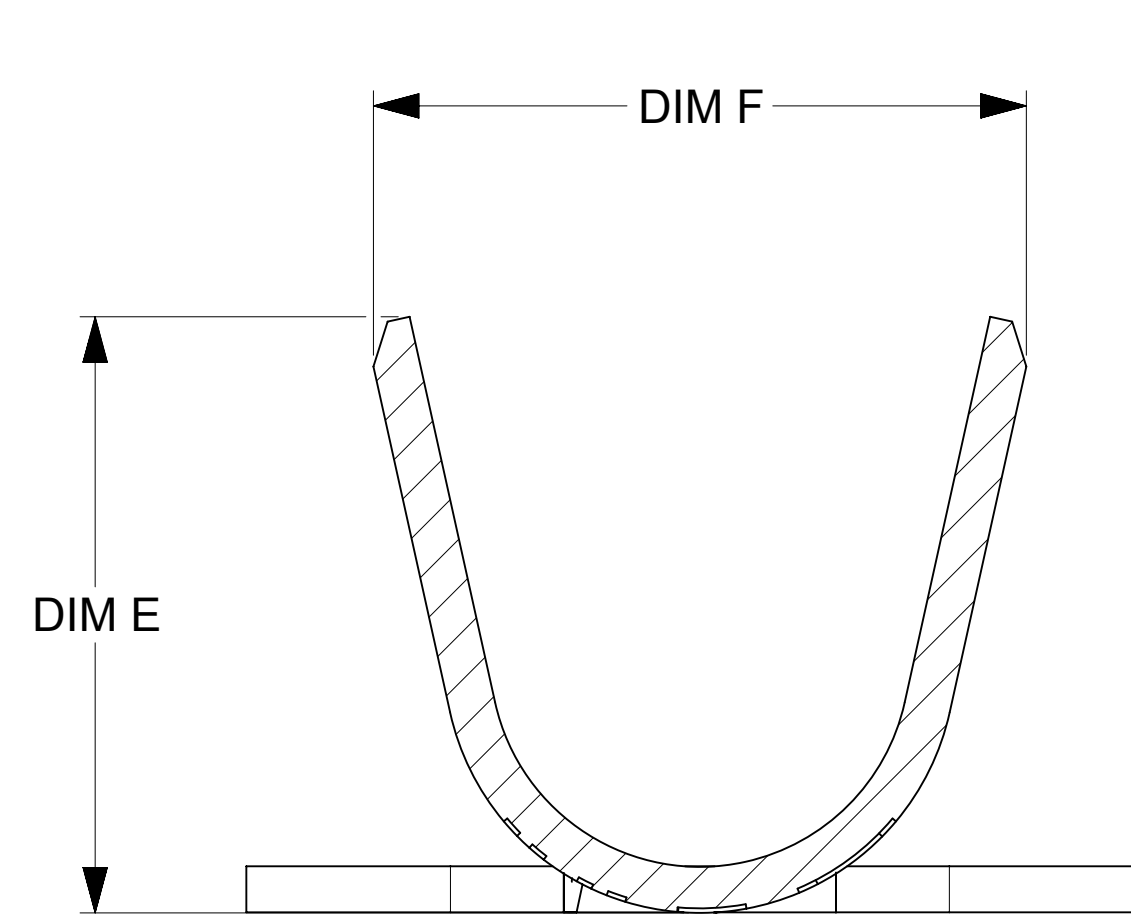
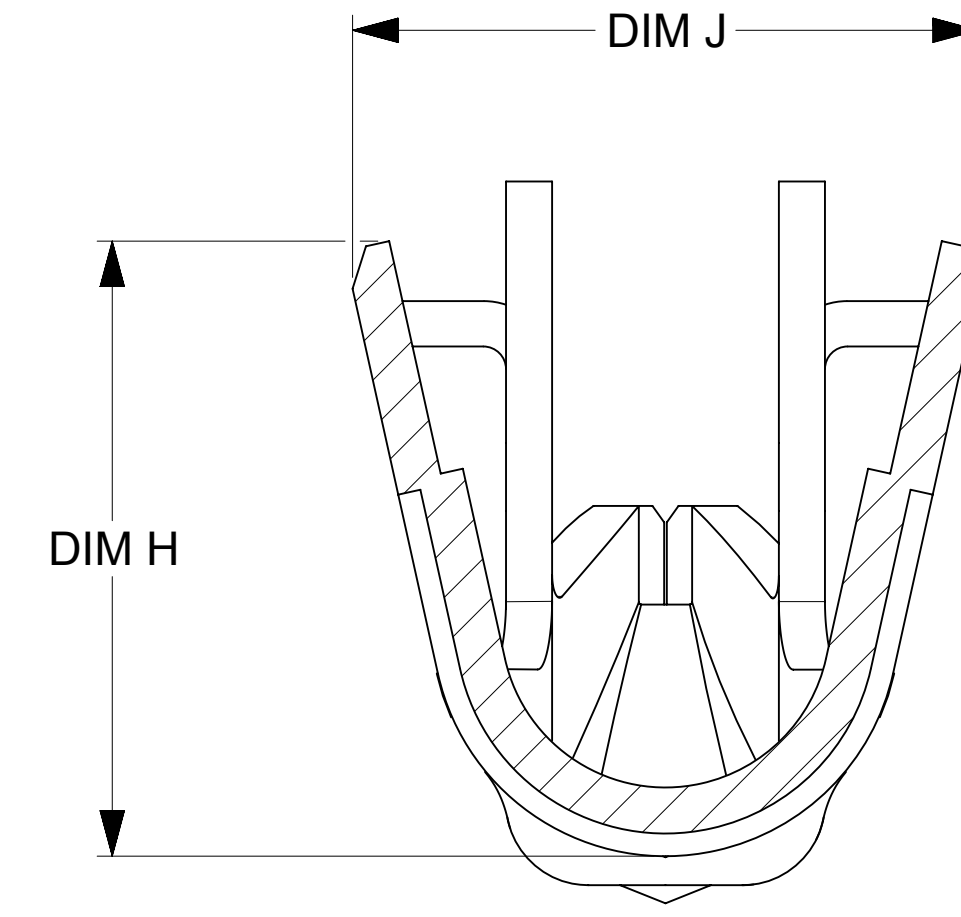


**NOTES:**

1. MATERIAL: PHOSPHER BRONZE ALLOY
2. FINISH:
  - "A" - REFLOW MATTE TIN PLATING 1.5-2.5µm OVERALL, UNDER NICKEL PLATING 1.25-2.5µm OVERALL.
  - "B" - GOLD PLANTING 0.38µm MIN ON CANTACT AREA, MATTE TIN PLATING 2.5µm MIN ON CRIMP AREA, UNDER NICKEL PLATING 1.25-2.5µm OVERALL.
  - "C" - GOLD PLANTING 0.76µm MIN ON CANTACT AREA, MATTE TIN PLATING 2.5µm MIN ON CRIMP AREA, UNDER NICKEL PLATING 1.25-2.5µm OVERALL.
3. PRODUCT SPECIFICATION: 2169461000-PS
4. PACKAGING SPECIFICATION: 2169461000-PK
5. TERMINAL FOR USE IN PLUG HOUSING SERIES 216945 AND 202569
6. SOME GOLD MAY BE PRESENT ON INSIDE SURFACE.



SECTION C-C



SECTION D-D

PART NUMBER(AFTER PLATING AND LUBRICATING)	LUBRICATING	PLATING	CRIMP SIZE	DIM B	DIM E	DIM F	DIM H	DIM J
216946-5011	NO	B	16-18	1.59	2.63	2.89	2.71	2.77
216946-5111	NO	B	20-22	1.05	2.08	2.33	2.16	2.20
216946-5012	NO	C	16-18	1.59	2.63	2.89	2.71	2.77
216946-5112	NO	C	20-22	1.05	2.08	2.33	2.16	2.20
216946-5013	YES	A	16-18	1.59	2.63	2.89	2.71	2.77
216946-5113	YES	A	20-22	1.05	2.08	2.33	2.16	2.20

THIS DRAWING CONTAINS INFORMATION THAT IS PROPRIETARY TO MOLEX ELECTRONIC TECHNOLOGIES, LLC AND SHOULD NOT BE USED WITHOUT WRITTEN PERMISSION

DIMENSION UNITS <b>mm</b>	SCALE <b>NTS</b>	CURRENT REV DESC:	<b>molex</b>		
GENERAL TOLERANCES (UNLESS SPECIFIED)					
ANGULAR TOL	± °	EC NO: 726545	ULTRA-FIT PLUG CRIMP TERMINAL		
4 PLACES	±	DRWN: LEOW 2022/10/31			
3 PLACES	±	CHK'D: EDUGGER 2022/11/01	PRODUCT CUSTOMER DRAWING		
2 PLACES	± 0.25	APPR: EDUGGER 2022/11/01			
1 PLACE	± 0.35	INITIAL REVISION:	DOCUMENT NUMBER		
0 PLACES	±	DRWN: LEOW 2022/10/21			
DRAFT WHERE APPLICABLE MUST REMAIN WITHIN DIMENSIONS		APPR: EDUGGER 2022/11/01	REVISION		
THIRD ANGLE PROJECTION		DRAWING	SERIES	MATERIAL NUMBER	CUSTOMER
D		D-SIZE	216946	SEE TABLE	GENERAL MARKET
					SHEET NUMBER
					1 OF 1