

42722-1 ✓ ACTIVE

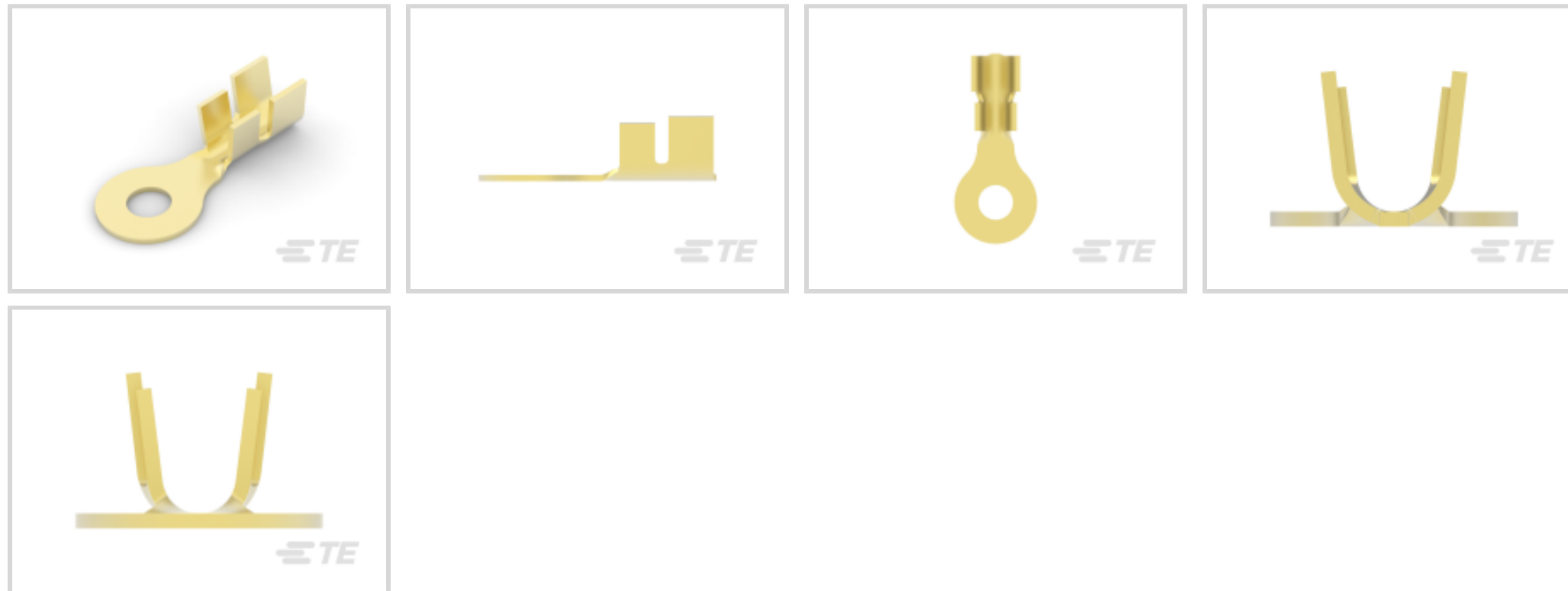
TE Internal #: 42722-1

Closed Ring Tongue Terminal, 12 – 10 AWG, #10 Stud Size, 4.82 mm [.19 in] Stud Diameter, Open Barrel, Straight, Unplated, Uninsulated

[View on TE.com >](#)



Terminals & Splices > Ring Terminals



Ring Terminal Product Type: **Closed Ring Tongue Terminal**

Wire Size: **6529 – 10382 CMA**

Stud Size: **#10**

Features

Dimensions

	.15 in
Wire Size	6529 – 10382 CMA
Stud Diameter	4.82 mm [.19 in]
Tongue Thickness	.76 mm [.03 in]
Product Length	27.18 mm [1.07 in]
Barrel Inside Diameter	4.57 mm, 3.55 mm [.18 in] [.14 in]
Compatible Insulation Diameter (Max)	5.33 mm [.21 in]
Compatible Insulation Diameter Range	3.81 – 5.33 mm [.15 – .21 in]

Product Type Features

Ring Terminal Product Type	Closed Ring Tongue Terminal
Stud Size	#10
Sealable	No
Compatible With Discrete Wire Type	Stranded
Wire Insulation Support Retention Type	Insulation Support
Shape Description	Circular/Oval

Contact Features



Barrel Type	Open
Terminal Orientation	Straight
Terminal Plating Material	Unplated
Contact Underplating Material	None
Contact Base Material	Brass

Usage Conditions

Insulation Option	Uninsulated
Operating Temperature Range	-40 – 110 °C[-40 – 230 °F]

Operation/Application

Compatible With Wire Base Material	Copper
------------------------------------	--------

Packaging Features

Packaging Method	Strip/Reel
Packaging Quantity	3000

Other

EU RoHS Compliance	Compliant
EU ELV Compliance	Compliant

Configuration Features

Number of Holes	1
-----------------	---

Body Features

Product Weight	2.077 g
----------------	---------

Mechanical Attachment

Wire Insulation Support	With
-------------------------	------

Industry Standards

Government Qualified Terminal	No
-------------------------------	----

Product Compliance

[For compliance documentation, visit the product page on TE.com>](#)

EU RoHS Directive 2011/65/EU	Compliant
EU ELV Directive 2000/53/EC	Compliant
China RoHS 2 Directive MIIT Order No 32, 2016	No Restricted Materials Above Threshold
EU REACH Regulation (EC) No. 1907/2006	Current ECHA Candidate List: JUNE 2024 (241)

Candidate List Declared Against: JUNE 2024 (241)

Does not contain REACH SVHC

Halogen Content

Low Halogen - Br, Cl, F, I < 900 ppm per homogenous material. Also BFR/CFR/PVC Free

Solder Process Capability

Not applicable for solder process capability

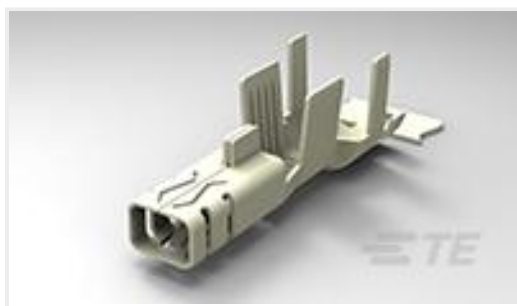
Product Compliance Disclaimer

This information is provided based on reasonable inquiry of our suppliers and represents our current actual knowledge based on the information they provided. This information is subject to change. The part numbers that TE has identified as EU RoHS compliant have a maximum concentration of 0.1% by weight in homogenous materials for lead, hexavalent chromium, mercury, PBB, PBDE, DBP, BBP, DEHP, DIBP, and 0.01% for cadmium, or qualify for an exemption to these limits as defined in the Annexes of Directive 2011/65/EU (RoHS2). Finished electrical and electronic equipment products will be CE marked as required by Directive 2011/65/EU. Components may not be CE marked. Additionally, the part numbers that TE has identified as EU ELV compliant have a maximum concentration of 0.1% by weight in homogenous materials for lead, hexavalent chromium, and mercury, and 0.01% for cadmium, or qualify for an exemption to these limits as defined in the Annexes of Directive 2000/53/EC (ELV). Regarding the REACH Regulation, the information TE provides on SVHC in articles for this part number is based on the latest European Chemicals Agency (ECHA) 'Guidance on requirements for substances in articles' posted at this URL: <https://echa.europa.eu/guidance-documents/guidance-on-reach>

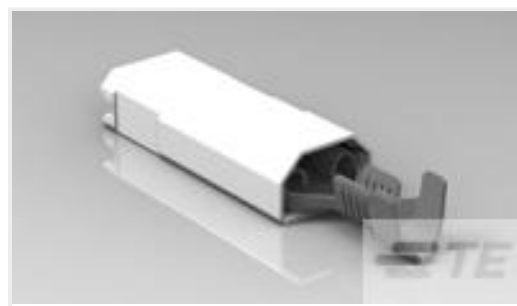
Compatible Parts



Customers Also Bought



TE Part #1971781-2
PTL RECEPTACLE CONTACT, 14 AWG



TE Part #521367-2
ULTRA-POD 250 ASSY REC 18-14
AWG TPBR



TE Part #60772-3
RING CRIMP 18-14 AWG TPBR



TE Part #1217094-2
RCPT 250 POS-LOCK 18-14 TPBR



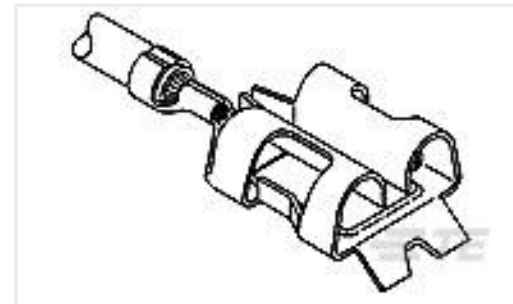
TE Part #62754-1
SPLICE 14000-30000 .030 BR



TE Part #40661
RING 190(4.82 MM) TERMINAL 18-14
AWG BR



TE Part #173722-1
187 PL EX REC. 26-20AWG PTBR



TE Part #640748-7
HEAVY DUTY BURNER REC 18-14
AWG PHBRZ



TE Part #1744494-4
04P EP-II HOUSING, YELLOW



TE Part #521204-2
HSG RCPT POSI MK 111 250 2POS

Documents

Product Drawings

RING TONGUE 12-10 AWG BR

English

CAD Files

3D PDF

3D

Customer View Model

[ENG_CVM_CVM_42722-1_AB_c-42722-1-ab.2d_dxf.zip](#)

English

Customer View Model

[ENG_CVM_CVM_42722-1_AB_c-42722-1-ab.3d_igs.zip](#)

English

Customer View Model

[ENG_CVM_CVM_42722-1_AB_c-42722-1-ab.3d_stp.zip](#)

English

By downloading the CAD file I accept and agree to the [Terms and Conditions](#) of use.

Product Specifications

42722-1

Closed Ring Tongue Terminal, 12 – 10 AWG, #10 Stud Size, 4.82 mm [.19 in] Stud Diameter, Open Barrel, Straight, Unplated, Uninsulated



Application Specification

English