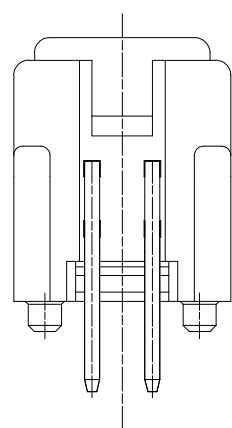
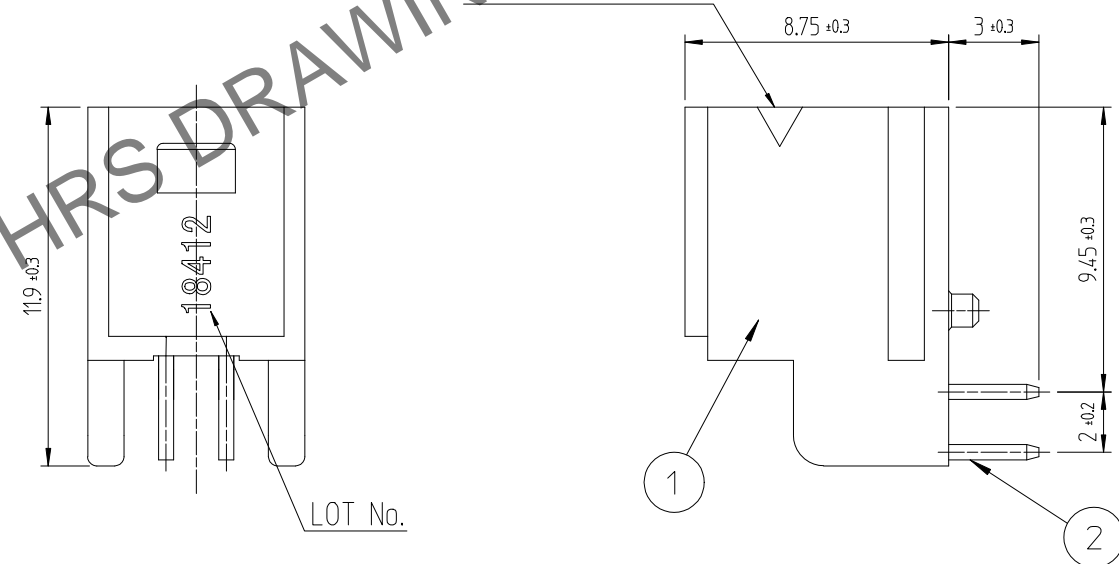
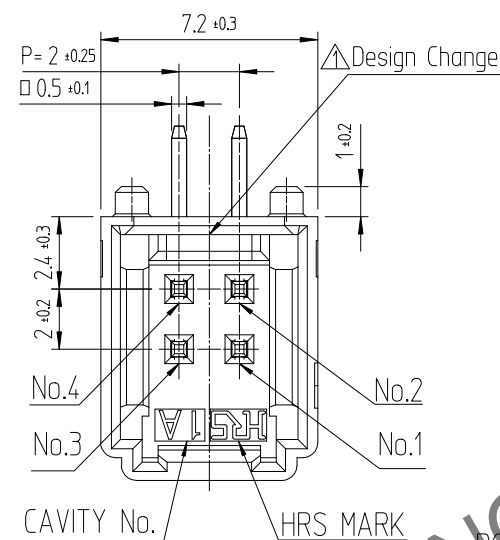


In case of consideration for using Automotive equipment / device which demand high reliability, kindly contact our sales window.



NOTE 1. 1PACK CONTAINS 420PCS.

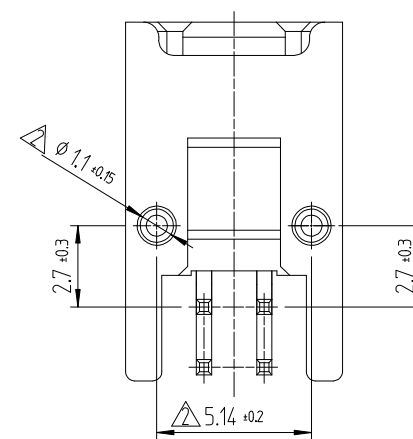
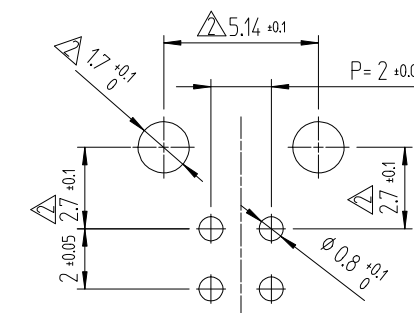
2. () DIMENSIONS ARE ONLY REFERENCE.

3. UL (File No. E132750) AUTHORIZATION ARTICLE.
C-UL (File No. E132750) AUTHORIZATION ARTICLE.

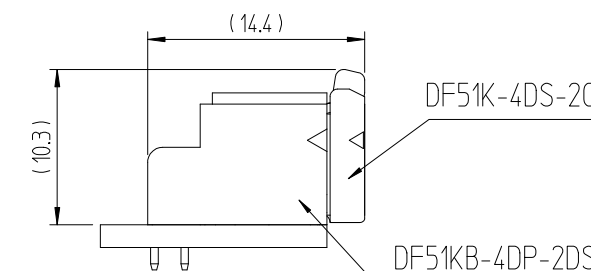
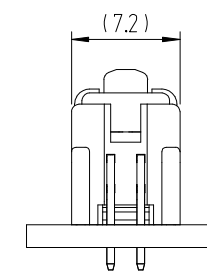


△數 COUNT	訂正事項 DESCRIPTION OF REVISIONS	擔當 B Y	檢圖 CHKD	年月日 DATE	△數 COUNT	訂正事項 DESCRIPTION OF REVISIONS	擔當 B Y	檢圖 CHKD	年月日 DATE
1	RE-6-1150	K.I.Y	L.S.M	18. 07. 04					
2	RE-6-1435	K.Y.H	L.S.M	19. 06. 19					
3	RE-6-1579	K.I.Y	L.S.M	20. 01. 23					

RECOMMENDED LAND PATTERN (FREE)
(PCB THICKNESS t=1.6mm)



ENGAGEMENT FIGURE (2:1)



1	PBT	UL94V-0, BLACK	2	BRASS	GOLD PLATING 0.1μm MIN, OVER NICKEL 0.5μm MIN
NO.	MATERIAL	FINISH,REMARKS	NO.	MATERIAL	FINISH,REMARKS
CODE NO. (OLD)			DRAWN	DESIGNED	CHECKED
			CHOI 18.03.02 J.S	CHOI 18.03.02 J.S	LIM 18.03.02 S.M
			APPROVED	RELEASED	
			KANG 18.03.02 T.S	ENG 20.02.12 DEPT	
DRAWING NO. EDC3-632589			PART NO. DF51KB-4DP-2DS (805)		
SCALE 4:1			CODE NO. CL 6652-0058-9-805		
UNITS mm			HRS HIROSE KOREA CO.,LTD.		
					1/1