

ORDERING CODE: **MRD-BX0X-L13-000**

REVISIONS			
REV	DESCRIPTION, ECN, EAR NO.	DATE	APP'D
E	PRODUCT DRAWING (EAR 15057)	FEB2/22	K.L.

**SERIES** \_\_\_\_\_

**CONNECTOR SIZE & MECHANISM**  
B = 16mm SIZE WITH LATCH LOCK

**HOUSING ORIENTATION & CONTACT TYPE**  
F = FEMALE METAL HOUSING & SOCKET CONTACT  
G = FEMALE METAL HOUSING & PIN CONTACT  
H = FEMALE PLASTIC HOUSING & SOCKET CONTACT  
J = FEMALE PLASTIC HOUSING & PIN CONTACT

**NUMBER OF CONTACTS**  
02 TO 09 = TWO TO NINE CONTACTS  
(06 NOT INCLUDED)

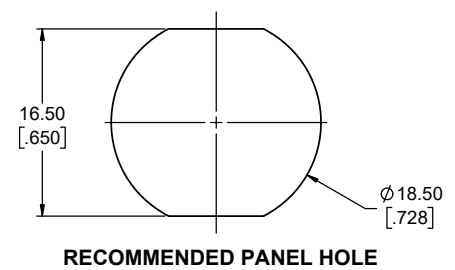
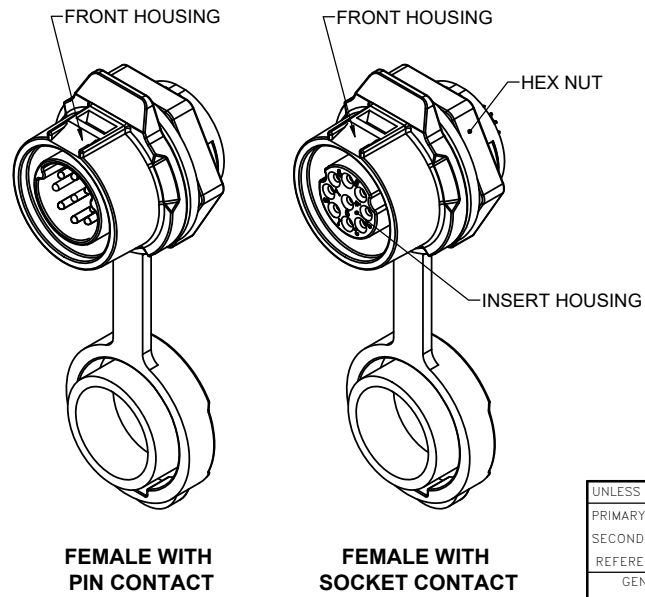
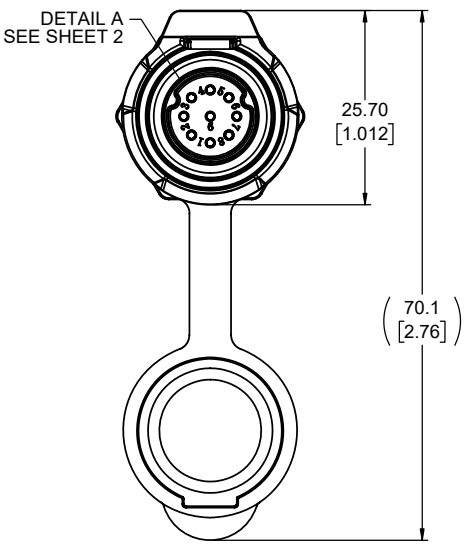
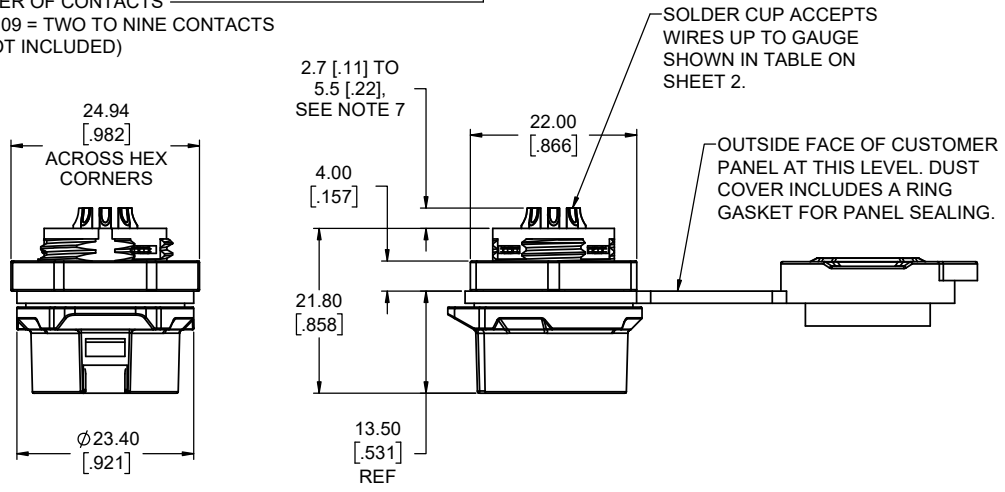
**SPECIALS**  
000 = STANDARD

**MOUNTING & COVER OPTION**  
3 = PANEL MOUNT WITH DUST COVER

**CONTACT TERMINATION TYPE**  
L1 = SOLDER CUP

**NOTES:**

- ALL MATERIALS TO BE RoHS COMPLIANT PER EU DIRECTIVE 2011/65/EU AND AMENDMENTS.
  - INSERT HOUSING: THERMOPLASTIC PBT, UL FLAMMABILITY RATING 94V-0, OUTDOOR RATING F1, BLACK
  - CONTACTS: COPPER ALLOY, GOLD OVER NICKEL PLATED.
  - DUST COVER: SILICONE RUBBER
  - FRONT HOUSING: ZINC ALLOY, CHROME PLATED OR THERMOPLASTIC PBT
  - HEX NUT: STEEL, NICKEL PLATED OR THERMOPLASTIC PBT
- WHEN THE ORDERING CODE SPECIFIES METAL HOUSING, BOTH THE FRONT HOUSING AND HEX NUT ARE SUPPLIED WITH METAL MATERIAL AS LISTED ABOVE. WHEN THE ORDERING CODE SPECIFIES PLASTIC HOUSING, FRONT HOUSING AND HEX NUT ARE PBT PLASTIC (WITH SAME RATINGS AS INSERT HOUSING LISTED ABOVE).
- ENVIRONMENTAL PROTECTION: IP67 PER IEC 60529 IN MATED CONDITION.
- OPERATING TEMPERATURE: -40°C TO +80°C
- SEE TABLE ON SHEET 2 FOR ADDITIONAL CHARACTERISTICS.
- RECOMMENDED PANEL THICKNESS: 2.0mm (.08") TO 3.0mm (.12").
- DEPENDING UPON THE NUMBER OF CONTACT POSITIONS THE SOLDER CUP CONTACT EXTENSION AREA MAY BE ONLY CONTACTS AS SHOWN OR INCLUDE PLASTIC BARRIERS BETWEEN SOLDER CUP TERMINALS.



THIS DOCUMENT CONTAINS PROPRIETARY INFORMATION AND SUCH INFORMATION MAY NOT BE DISCLOSED TO OTHERS FOR ANY PURPOSE OR USED FOR MANUFACTURING PURPOSES WITHOUT WRITTEN PERMISSION FROM AMPHENOL CANADA CORP.

UNLESS SPECIFIED OTHERWISE	DRAWN	K.XIONG	SEP28/17	<b>Amphenol Canada Corp.</b> Commercial Products
PRIMARY UNITS MILLIMETERS	CHECKED	KLAMBIE	MAR14/18	
SECONDARY UNITS INCHES	M.E. APP'D			MRD SERIES RUGGED PANEL MOUNT CONNECTOR, FEMALE WITH 2-5 & 7-9 CONTACTS, LATCH LOCK, DUST COVER, IP67 RATING, RoHS COMPLIANT
REFERENCE IN PARENTHESES	Q.A. APP'D			
GENERAL TOLERANCES	DWG APPR.	A.GREEN	MAR14/18	DWG. NO.
1 DECIMAL PLACE	ENG. REL. NO.	EAR 14575		<b>P-MRD-BX0X-L13-000</b>
2 DECIMAL PLACES ±0.25	REF.			
3 DECIMAL PLACES	THIRD ANGLE PROJECTION			REV
ANGULAR DEGREES				E
	DO NOT SCALE DRAWING			CODE ID NO. 03554   DWG SIZE: X   SCALE: 2:1   SHEET 1 OF 2

REVISIONS			
REV	DESCRIPTION, ECN, EAR NO.	DATE	APP'D
E	PRODUCT DRAWING (EAR 15057)	FEB2/22	K.L.

**END VIEWS FOR CONTACT MATING AREA**

DETAIL A VIEW WITH SOCKET CONTACTS (SCALE 3:1)							
	2	3	4	5	7	8	9
DETAIL A VIEW WITH PIN CONTACTS (SCALE 3:1)							
	2	3	4	5	7	8	9

**PART NUMBER CHARACTERISTICS TABLE:**

CONNECTOR PART NUMBER (SEE ORDERING CODE)	MAX WIRE GAUGE	CURRENT RATING	VOLTAGE RATING	CONTACT RESISTANCE	DWV
MRD-BX02-L13-000	16 AWG	10A	400V AC	5.0mΩ MAX	2500 VDC
MRD-BX03-L13-000					
MRD-BX04-L13-000					
MRD-BX05-L13-000	20 AWG	5A	250V AC	10.0mΩ MAX	1500 VDC
MRD-BX07-L13-000					
MRD-BX08-L13-000					
MRD-BX09-L13-000					



UNLESS SPECIFIED OTHERWISE	DRAWN	K.XIONG	SEP28/17
PRIMARY UNITS MILLIMETERS	CHECKED	K.LAMBIE	MAR14/18
SECONDARY INCHES	M.E. APP'D		
REFERENCE IN PARENTHESES	Q.A. APP'D		
GENERAL TOLERANCES	DWG APPR.	A.GREEN	MAR14/18
1 DECIMAL PLACE	ENG. REL. NO.	EAR 14575	
2 DECIMAL PLACES ±0.25	REF.		
3 DECIMAL PLACES	THIRD ANGLE PROJECTION		DO NOT SCALE DRAWING
ANGULAR DEGREES			

**Amphenol Canada Corp.**  
Commercial Products

**MRD SERIES RUGGED PANEL MOUNT CONNECTOR, FEMALE WITH 2-5 & 7-9 CONTACTS, LATCH LOCK, DUST COVER, IP67 RATING, RoHS COMPLIANT**

DWG. NO. **P-MRD-BX0X-L13-000** REV **E**

CODE ID NO. 03554 DWG SIZE: X SCALE: 3:1 SHEET 2 OF 2