

REVISIONS

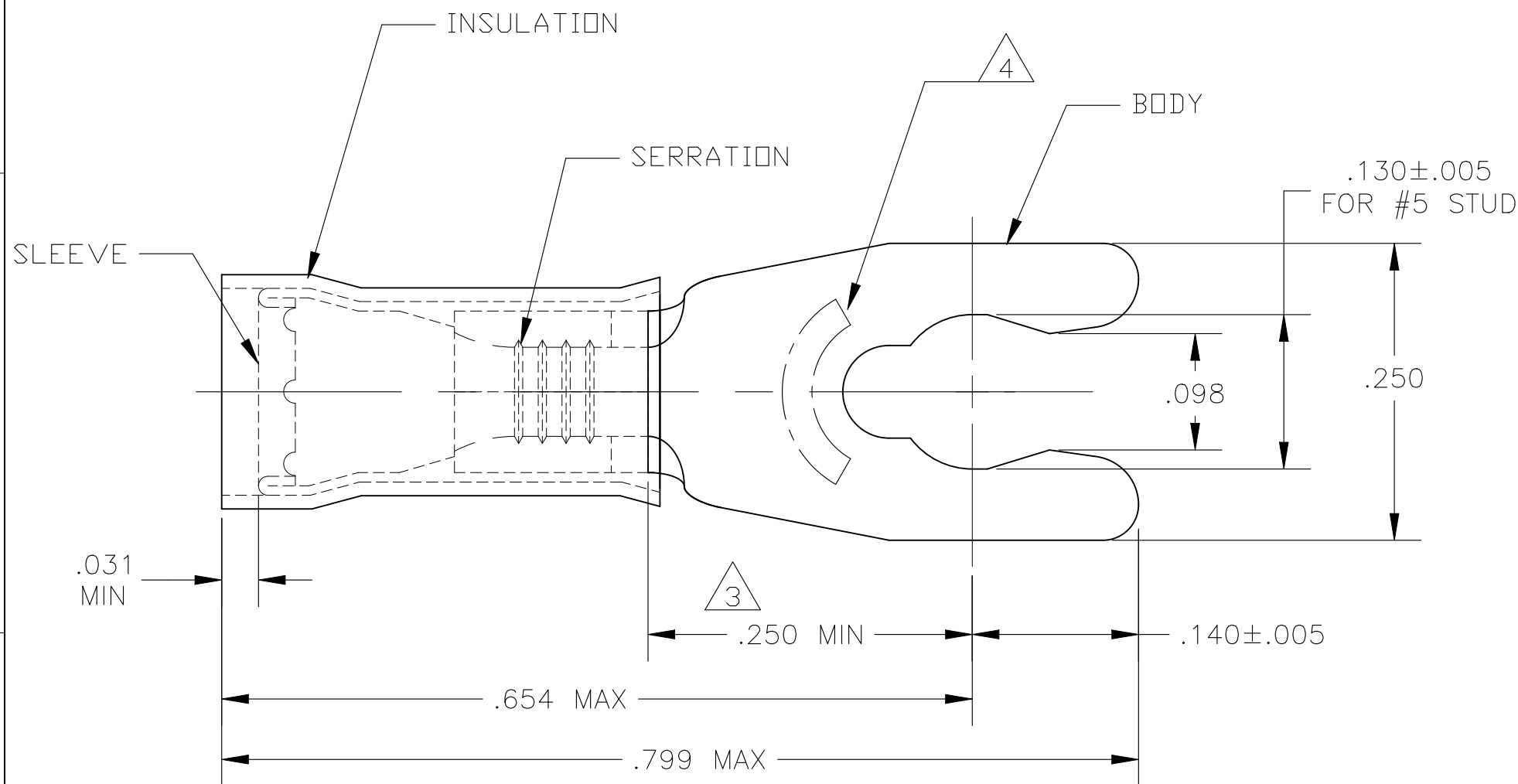
P	LTR	DESCRIPTION	DATE	DWN	APVD
	G3	REVISED PER ECR-25-255998	11SEP2025	SA	DSC

1 FOR .080-.125 WIRE INSULATION DIA

2 TONGUE MATERIAL THK = .031±.002

3 APPLIES FROM THE METAL EDGE OF THE BARREL TO THE CENTER OF THE STUD

4 MARKING 22-18 FOR MILITARY, COMMERCIAL RANGE 22-16



100	LOOSE PIECE, BOX	BODY: PHOS BRONZE PER ASTM-B103 TIN PLATE PER ASTM-B545 SLEEVE: COPPER PER ASTM-B152 INSULATION: NYLON PER ASTM-D4066 TYPE 1, COLOR: RED	8-52928-1
1 KIT = 50 PIECES	WIRE TERMINAL		6-52928-0
5,000	52928 ON TAPE		52928-1
1	WIRE TERMINAL		52928
QTY	DESCRIPTION		MATERIAL & FINISH

THIS DRAWING IS A CONTROLLED DOCUMENT.		DWN jr_ruth 09MAR10	STE TE Connectivity			
DIMENSIONS: INCHES		CHK TOM MICHIELUTTI 09MAR10				NAME
TOLERANCES UNLESS OTHERWISE SPECIFIED:		APVD TOM MICHIELUTTI 09MAR10	WIRE TERMINAL, PIDG, SPRING SPADE, WIRE SIZE: 22-16 AWG			
0 PLC ± -		PRODUCT SPEC	SIZE	CAGE CODE	DRAWING NO	RESTRICTED TO
1 PLC ± -		—	A3 00779 C-52928		—	
2 PLC ± .008		APPLICATION SPEC	SCALE 8:1			SHEET 1 OF 1
3 PLC ± -		—	REV G3			
4 PLC ± -		WEIGHT	CUSTOMER DRAWING			
ANGLES ± 5°		—				
MATERIAL SEE TABLE		FINISH SEE TABLE				