

PRODUCT NUMBER
10130186-YXXXLF

PLATING
S = 0.38µm GOLD/GXT
ON CONTACT AREA
2µm TIN MIN ON TAIL

RoHS COMPATIBLE
SEE NOTE 6
PACKAGING OPTIONS, SEE NOTE 4
PIN STYLE, SEE SHEET 2

G = 0.76µm GOLD/GXT
ON CONTACT AREA
2µm TIN MIN ON TAIL

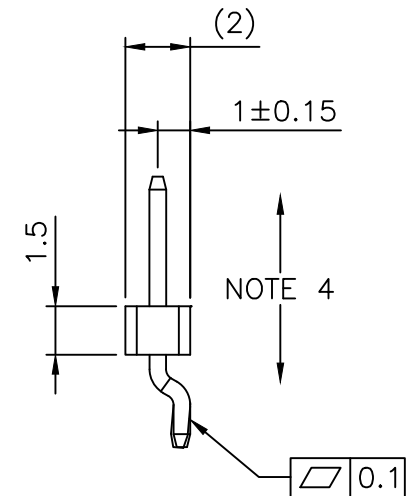
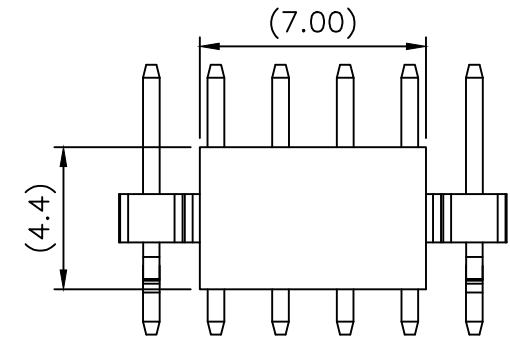
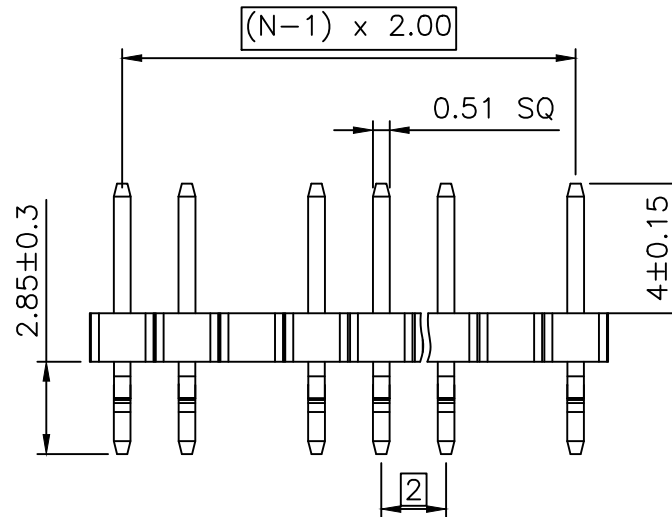
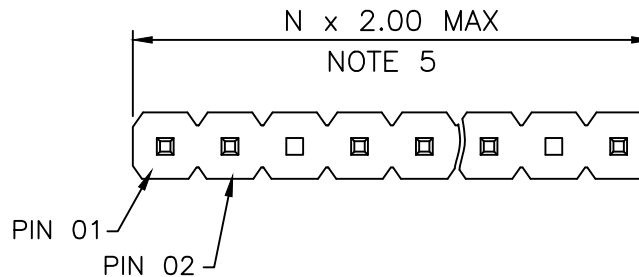
F = GOLD FLASH
ON CONTACT AREA
2µm TIN MIN ON TAIL

T = 2.0-6.0µm FULL MATTE TIN
UNDERLAYER 1.27µm Ni MIN

NOTES:

- HOUSING MATERIAL : HIGH TEMPERATURE THERMOPLASTIC. UL94V-0 COLOR: BLACK
- PIN MATERIAL : PHOSPHOR BRONZE
- 7N MIN RETENTION IN EITHER DIRECTION
- PACKAGING OPTIONS:
= POLY BAGS
A = TAPE & REEL WITH CAP, AS AVAILABLE
U = TUBE WITHOUT PICK-UP CAP
- TO DETERMINE DIMENSIONS :
N = NUMBER OF POSITIONS PER ROW
EXAMPLE : 8 POS N x 2.00 = 16.00mm
- RoHS COMPATIBLE PRODUCT SPECIFICATIONS
 - PLATING:
- "LF" MEANS THE PRODUCT IS LEAD-FREE, 2µm MINIMUM MATTE TIN OVER 1.27µm MINIMUM NICKEL UNDERPLATE.
 - MANUFACTURING PROCESS COMPATIBILITY
- THE HOUSING WILL WITHSTAND EXPOSURE TO 260°C PEAK TEMPERATURE FOR 30 SECONDES IN A CONVECTION, INFRA-RED OR VAPOR PHASE REFLOW OVEN.
 - LABELING:
- MEETS PACKAGING SPECS AS PER GS-14-920
 - LEGAL STATEMENT: SEE GS-47-0004
- THIS PART SERIES IS NOT INITIALLY INTENDED FOR AUTOMOTIVE APPLICATIONS. ADDITIONAL FEES ARE CHARGEABLE FOR ANY ADDITIONAL QUALIFICATION AND TEST REPORTS PERFORMED OUTSIDE THE SCOPE OF THE STANDARD PRODUCT SPECIFICATIONS.
- UNLESS OTHERWISE APPROVED BY AMPHENOL, ALL PARTS AND COMPONENTS ARE DESIGNED & BUILT ACCORDING TO AMPHENOL'S SPECIFICATIONS WHICH ARE SUBJECT TO CHANGE WITHOUT NOTICE.

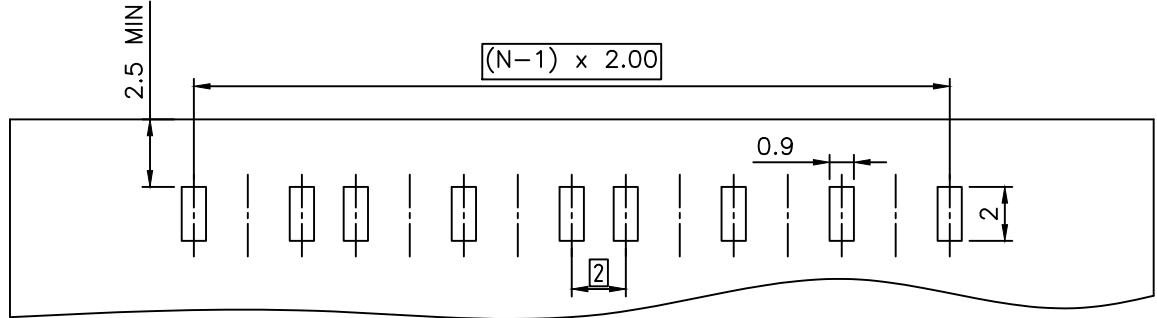
TOP VIEW



mat'l. code		surface		tolerance		projection		product family	
		ISO 1302		ISO 406 ISO 1101		mm		MINITEK	
ltr		ecn no		dr		date		title	
A		---		LMU		15.10.19		UNSH MTK HDR 2mm	
B		F-22381		BVE		15.11.03		SR SMT HORIZ POLARIZED	
C		F-23054		AMA		16.01.15		dwg no	
D		F-29988		LMU		18.04.25		sheet 1 of 2	
E		F-286035		DDE		26.04.13		size	
								10130186	
								A3	
								type	
								CUSTOMER	
								Drawing	
sheet		revision		E		D			
index		sheet		1		2			

STYLE	NB OF POSITIONS	NB OF CONTACTS	CONTACTS LOADED AS PER TOP VIEW														
			1	2	3	4	5	6	7	8	9	10	11	12	13	14	15
01	15	9	X		X	X		X		X	X		X		X		X
02	15	9	X		X		X		X	X		X		X	X		X
03	04	3	X		X	X											
04	04	3	X	X		X											
05	03	2	X		X												

RECOMMENDED LAYOUT PAD SHOULD BE LOADED ACCORDING TO STYLE



Amphenol FCI
FCIconnect.com

Copyright FCI

mat'l. code				surface ISO 1302 <input checked="" type="checkbox"/> ISO 406 <input type="checkbox"/> ISO 1101 <input type="checkbox"/>		tolerance ISO 406 ISO 1101		projection 		product family MINITEK			
ltr	ecn no	dr	date	tolerances unless otherwise specified				mm		title			
A	---	LMU	15.10.19	angles	linear	x.x ±0.3	mm		UNSH MTK HDR 2mm				
B	F-22381	BVE	15.11.03			x.xx ±0.13	mm		SR SMT HORIZ POLARIZED				
C	F-29988	LMU	18.04.25			x.xxx ±0.05	scale 5:1		dwg no				
D	F-286035	DDE	26.04.13	dr	L.MULIN	14.05.14	Amphenol FCI		sheet 2 of 2		size		
				enrg	J.COMPAGNON	14.05.14			10130186		A3		
				chr					type		CUSTOMER Drawing		
				appd	J.COMPAGNON	14.05.14							
sheet index	revision sheet												