

180913 ✓ ACTIVE

FASTIN-FASTON | FASTIN-FASTON 250

TE Internal #: 180913

Receptacle, Receptacle, 3 Position, Straight, Natural, Polyamide,
Mating Alignment, FASTIN-FASTON 250, Crimp Terminal Housings

[View on TE.com >](#)



Terminals & Splices > Terminal Housings, Insulation Sleeves & Blocks > Crimp Terminal Housings



Terminal Type: **Receptacle**

Connector & Housing Type: **Receptacle**

Number of Positions: **3**

Terminal Orientation: **Straight**

Primary Product Color: **Natural**

Features

Contact Features

Terminal Type	Receptacle
Terminal Orientation	Straight
Contact Mating Retention	Without

Product Type Features

Connector & Housing Type	Receptacle
Connector & Contact Terminates To	Wire & Cable
Sealable	No

Configuration Features

Number of Positions	3
---------------------	---

Body Features

Primary Product Color	Natural
-----------------------	---------

Housing Features

Housing Material	Polyamide
------------------	-----------

Mechanical Attachment



Mating Alignment	With
Connector Mounting Type	Cable Mount (Free-Hanging)

Packaging Features

Packaging Method	Carton
Packaging Quantity	2000

Usage Conditions

Operating Temperature Range	-40 – 105 °C[-40 – 221 °F]
-----------------------------	----------------------------

Other

EU RoHS Compliance	Compliant
EU ELV Compliance	Compliant

Dimensions

Product Length	20.4 mm[.803 in]
----------------	------------------

Product Compliance

[For compliance documentation, visit the product page on TE.com>](#)

EU RoHS Directive 2011/65/EU	Compliant
EU ELV Directive 2000/53/EC	Compliant
China RoHS 2 Directive MIIT Order No 32, 2016	No Restricted Materials Above Threshold
EU REACH Regulation (EC) No. 1907/2006	Current ECHA Candidate List: JUNE 2024 (241) Candidate List Declared Against: JUNE 2024 (241) Does not contain REACH SVHC
Halogen Content	Low Halogen - Br, Cl, F, I < 900 ppm per homogenous material. Also BFR/CFR/PVC Free
Solder Process Capability	Not applicable for solder process capability

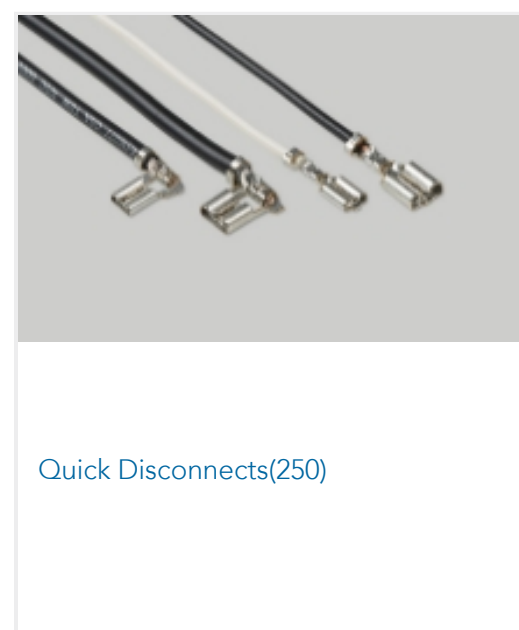
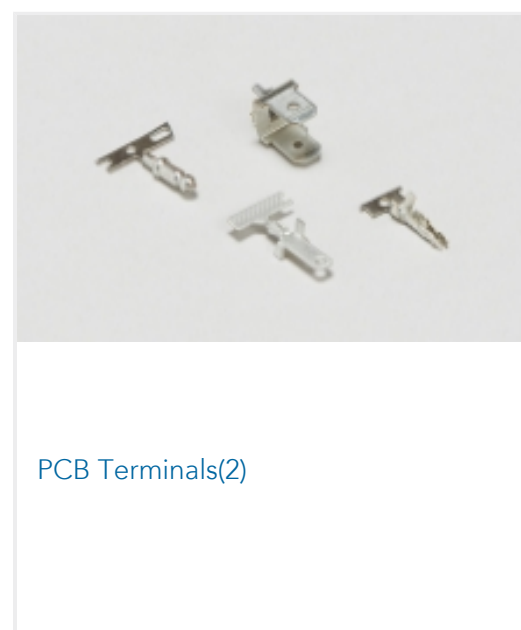
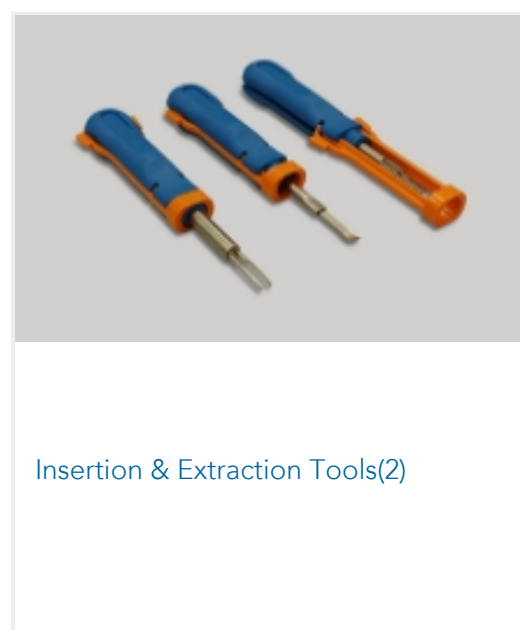
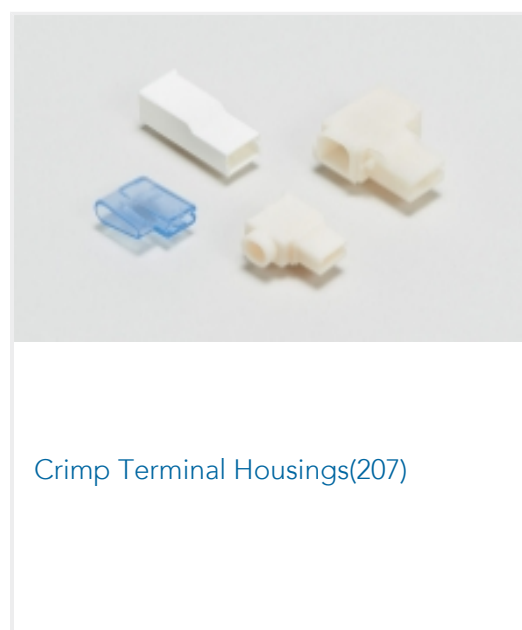
Product Compliance Disclaimer

This information is provided based on reasonable inquiry of our suppliers and represents our current actual knowledge based on the information they provided. This information is subject to change. The part numbers that TE has identified as EU RoHS compliant have a maximum concentration of 0.1% by weight in homogenous materials for lead, hexavalent chromium, mercury, PBB, PBDE, DBP, BBP, DEHP, DIBP, and 0.01% for cadmium, or qualify for an exemption to these limits as defined in the Annexes of Directive 2011/65/EU (RoHS2). Finished electrical and electronic equipment products will be CE marked as required by Directive 2011/65/EU. Components may not be CE marked. Additionally, the part numbers that TE has identified as EU ELV compliant have a maximum concentration of 0.1% by weight in homogenous materials for lead, hexavalent chromium, and mercury, and 0.01% for cadmium, or qualify for an exemption to these limits as defined in the Annexes of Directive 2000/53/EC (ELV). Regarding the REACH Regulation, the information TE provides on SVHC in articles for this part number is based on the latest European Chemicals Agency (ECHA) 'Guidance on requirements for substances in articles' posted at this URL: <https://echa.europa.eu/guidance-documents/guidance-on-reach>

Compatible Parts



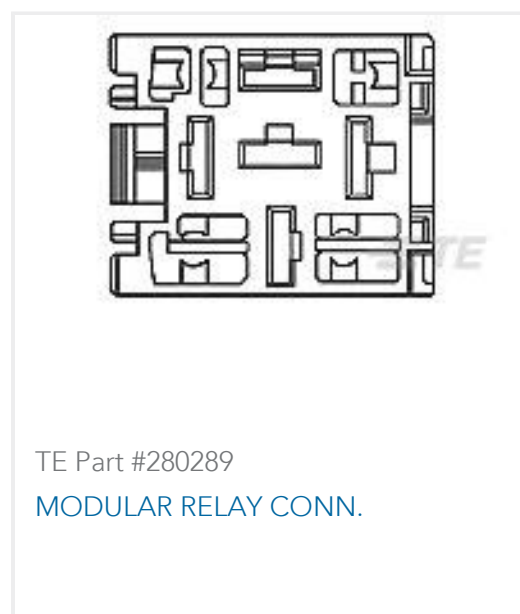
Also in the Series | FASTIN-FASTON 250



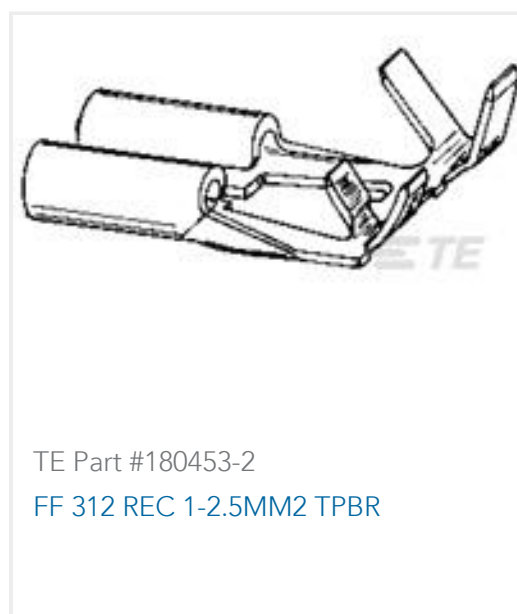
Customers Also Bought



TE Part #1564562-2
SLIDE,TAB HSG GROUP D



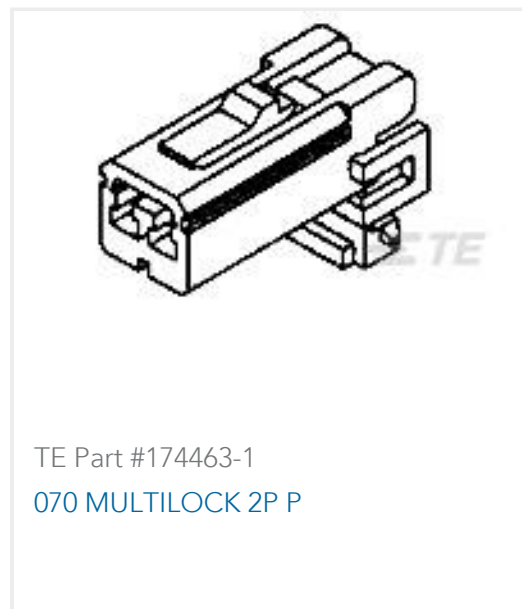
TE Part #280289
MODULAR RELAY CONN.



TE Part #180453-2
FF 312 REC 1-2.5MM2 TPBR



TE Part #4-963210-1
2P J-P-T GEH KOMPL



TE Part #174463-1
070 MULTILOCK 2P P



TE Part #282375-1
070 MULTILOCK RCPT CONT



TE Part #154746-2
FF 250 REC HSG 5P NYLON BLACK



TE Part #3-2112231-2
46POS,AMP MCP1.5K,REC HSG,ASSY



TE Part #172509-1
MIC CAP HSG 17P MK II



TE Part #E247363001
44A0111-24-9CK2000

Documents

Product Drawings

[FF 250 REC HSG 3P NYLON NAT](#)

English

CAD Files

[3D PDF](#)

3D

Customer View Model

[ENG_CVM_CVM_180913_AW.2d_dxf.zip](#)

English

Customer View Model

[ENG_CVM_CVM_180913_AW.3d_igs.zip](#)

English

Customer View Model

[ENG_CVM_CVM_180913_AW.3d_stp.zip](#)

English

By downloading the CAD file I accept and agree to the [Terms and Conditions](#) of use.

Datasheets & Catalog Pages



White Paper: Nylon Discoloration

English

Product Specifications

Application Specification

English