

205204-8 ✓ ACTIVE



AMPLIMITE

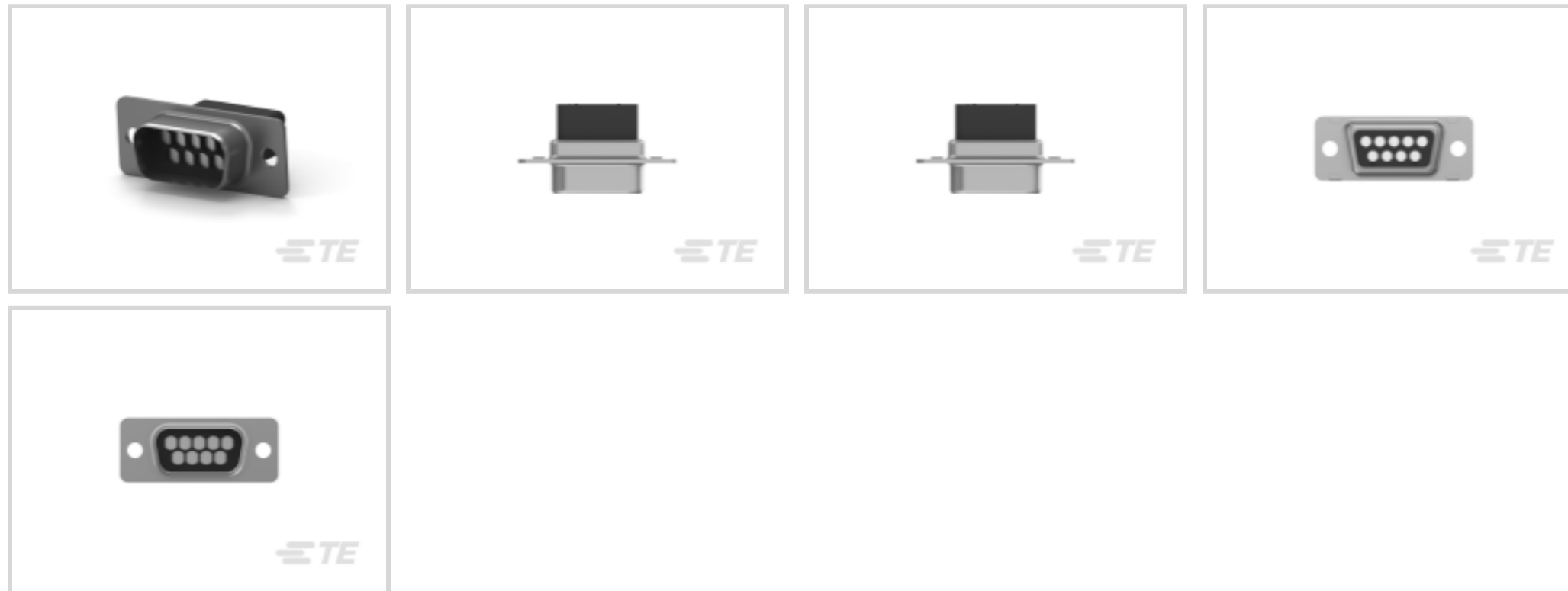
TE Internal #: 205204-8

Plug, Cable-to-Cable, 9 Position, Size 20 Contact Size, 1 Connector

Shell Size, Mating Retention, Shielded, Crimp D-Sub Connectors

[View on TE.com >](#)

Connectors > D-Shaped Connectors > D-Sub Connectors > Crimp D-Sub Connectors > D-Sub Crimp: Plug, Signal, 9 Posn, Pin Size 20, Shell Size 1



Connector & Housing Type: **Plug**

Connector System: **Cable-to-Cable**

Number of Positions: **9**

Contact Size: **Size 20**

Connector Shell Size: **1**

[All D-Sub Crimp: Plug, Signal, 9 Posn, Pin Size 20, Shell Size 1 \(12\)](#)

Features

Product Type Features

Connector & Housing Type	Plug
Connector System	Cable-to-Cable
Connector Shell Size	1
Sealable	No
Shell Material Configuration	Full Metal Shell
Connector & Contact Terminates To	Wire & Cable

Configuration Features

Number of Positions	9
---------------------	---

Contact Features

Contact Size	Size 20
Contact Options	Order Separately

Mechanical Attachment

Mating Retention	With
------------------	------



Mating Retention Type

Mounting Holes

Operation/Application

Shielded

Yes

Circuit Application

Signal

Housing Features

Centerline (Pitch)

2.74 mm[.108 in]

Shell Material

Steel

Usage Conditions

Operating Temperature Range

-55 – 105 °C[-67 – 221 °F]

Other

EU RoHS Compliance

Compliant

EU ELV Compliance

Compliant

Body Features

Shell Plating Material

Tin

Insert Material

Thermoplastic

Shield Material

Steel

Termination Features

Termination Method to Wire & Cable

Crimp

Industry Standards

UL Flammability Rating

UL 94V-0

Packaging Features

Packaging Method

Package

Packaging Quantity

800

Product Compliance

For compliance documentation, visit the product page on [TE.com](https://www.te.com)>

EU RoHS Directive 2011/65/EU

Compliant

EU ELV Directive 2000/53/EC

Compliant

China RoHS 2 Directive MIIT Order No 32, 2016

No Restricted Materials Above Threshold

EU REACH Regulation (EC) No. 1907/2006

Current ECHA Candidate List: JUNE 2024 (241)
Candidate List Declared Against: JUNE 2024 (241)



Does not contain REACH SVHC

Halogen Content

Not Low Halogen - contains Br or Cl > 900 ppm.

Solder Process Capability

Not applicable for solder process capability

Product Compliance Disclaimer

This information is provided based on reasonable inquiry of our suppliers and represents our current actual knowledge based on the information they provided. This information is subject to change. The part numbers that TE has identified as EU RoHS compliant have a maximum concentration of 0.1% by weight in homogenous materials for lead, hexavalent chromium, mercury, PBB, PBDE, DBP, BBP, DEHP, DIBP, and 0.01% for cadmium, or qualify for an exemption to these limits as defined in the Annexes of Directive 2011/65/EU (RoHS2). Finished electrical and electronic equipment products will be CE marked as required by Directive 2011/65/EU. Components may not be CE marked. Additionally, the part numbers that TE has identified as EU ELV compliant have a maximum concentration of 0.1% by weight in homogenous materials for lead, hexavalent chromium, and mercury, and 0.01% for cadmium, or qualify for an exemption to these limits as defined in the Annexes of Directive 2000/53/EC (ELV). Regarding the REACH Regulation, the information TE provides on SVHC in articles for this part number is based on the latest European Chemicals Agency (ECHA) 'Guidance on requirements for substances in articles' posted at this URL: <https://echa.europa.eu/guidance-documents/guidance-on-reach>

Compatible Parts



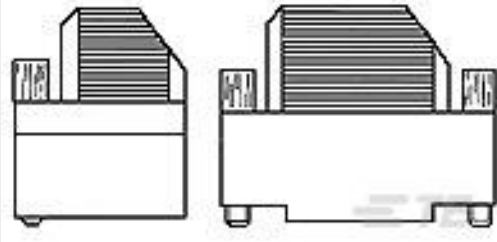
TE Part # CAT-035-DCPPS201
D-Sub Crimp: Plug, Signal, 9 Posn, Pin Size 20, Shell Size 1



TE Part # CAT-035-DCRSS201
D-Sub Crimp Recept Signal 9 Posn, Socket Size 20, Shell Size 1



TE Part # 2198617-9
Ni Plated Plastic Backshell, 9 Way, Str



TE Part # 1393738-2
V42254A6000G115=SUB D GEHAEUSE



TE Part # 3-1393483-8
V42254A1115B209=SUB D FEDERLEI

Customers Also Bought



TE Part #205209-7
RECP ASSY SIZE 4



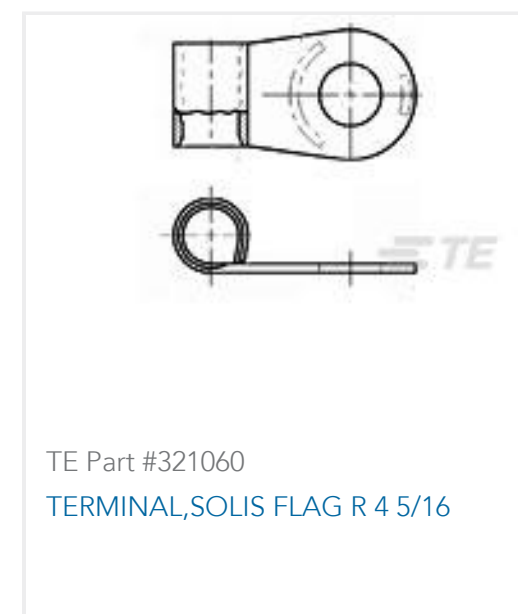
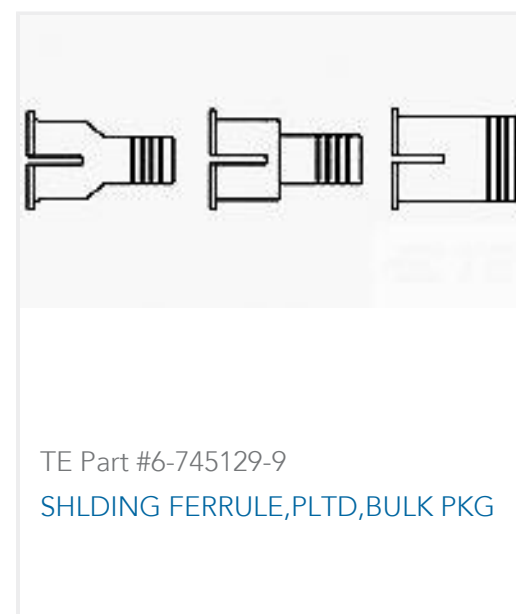
TE Part #205203-3
CRIMP SNAP RCPT ASSY,SIZE 1



TE Part #1-88997-3
FC S,TAB 15AU RL



TE Part #5066682-9
CONT,PIN,PLATED,20DF,STRIP,#24



Documents

Product Drawings

[HDP-20,PLUG,SIZE 1, 9 POSN](#)

English

CAD Files

[3D PDF](#)

3D

Customer View Model

[ENG_CVM_CVM_205204-8_T.2d_dxf.zip](#)

English

Customer View Model

[ENG_CVM_CVM_205204-8_T.3d_igs.zip](#)

English

Customer View Model

[ENG_CVM_CVM_205204-8_T.3d_stp.zip](#)

English

By downloading the CAD file I accept and agree to the [Terms and Conditions](#) of use.

Datasheets & Catalog Pages

[AMPLIMITE Subminiature D Connectors - Cable Connectors](#)

English

[AMPLIMITE Cable Connectors and Shielding Hardware Kits QRG](#)

English

Product Specifications

[Application Specification](#)

English



Instruction Sheets

[Instruction Sheet \(U.S.\)](#)

English

Agency Approvals

[CSA Certificate](#)

English