



TE Internal #: 1-487545-9

Housing, Wire-to-Board, 22 Position, 1.27 mm [.05 in] Centerline, 1 Row, Socket, Carton, Mating Retention, Normal, Mating Alignment, FFC Connectors

[View on TE.com >](#)

Connectors > PCB Connectors > Wire-to-Board Connectors > FFC, FPC & Ribbon Connectors > FFC Connectors > FFC Receptacle Housing: 1.27mm



FFC Connector Product Type: **Housing**

Connector System: **Wire-to-Board**

Number of Positions: **22**

Centerline (Pitch): **1.27 mm [.05 in]**

Number of Rows: **1**

[All FFC Receptacle Housing: 1.27mm \(52\)](#)

## Features

### Product Type Features

FFC Connector Product Type	Housing
Connector System	Wire-to-Board
Insertion Force Type	Normal
Connector & Contact Terminates To	Wire & Cable
Connector & Housing Type	Receptacle

### Configuration Features

Number of Positions	22
Number of Rows	1

### Housing Features

Centerline (Pitch)	1.27 mm[.05 in]
FFC Cable Entry	Straight
Housing Material	Polyester

### Contact Features



Contact Type	Socket
--------------	--------

### Packaging Features

Packaging Method	Carton
------------------	--------

Packaging Quantity	400
--------------------	-----

### Mechanical Attachment

Mating Retention	With
------------------	------

Mating Alignment	With
------------------	------

Panel Mount Feature	Without
---------------------	---------

Connector Mounting Type	Cable Mount (Free-Hanging)
-------------------------	----------------------------

Mating Alignment Type	Polarization
-----------------------	--------------

Mating Retention Type	Latch
-----------------------	-------

### Body Features

Primary Product Color	Black
-----------------------	-------

### Usage Conditions

Operating Temperature Range	-55 – 105 °C[-67 – 221 °F]
-----------------------------	----------------------------

### Other

EU RoHS Compliance	Compliant
--------------------	-----------

EU ELV Compliance	Compliant
-------------------	-----------

### Electrical Characteristics

Operating Voltage	100 VAC
-------------------	---------

Insulation Resistance	5000 MΩ
-----------------------	---------

Dielectric Withstanding Voltage (Max)	300 VAC
---------------------------------------	---------

### Operation/Application

Circuit Application	Signal
---------------------	--------

### Industry Standards

UL Flammability Rating	UL 94V-0
------------------------	----------

### Product Compliance

[For compliance documentation, visit the product page on TE.com>](#)

EU RoHS Directive 2011/65/EU	Compliant
------------------------------	-----------

EU ELV Directive 2000/53/EC	Compliant
-----------------------------	-----------









China RoHS 2 Directive MIIT Order No 32, 2016	No Restricted Materials Above Threshold
EU REACH Regulation (EC) No. 1907/2006	Current ECHA Candidate List: JUNE 2024 (241) Candidate List Declared Against: JUNE 2024 (241) Does not contain REACH SVHC
Halogen Content	Not Low Halogen - contains Br or Cl > 900 ppm.
Solder Process Capability	Not applicable for solder process capability

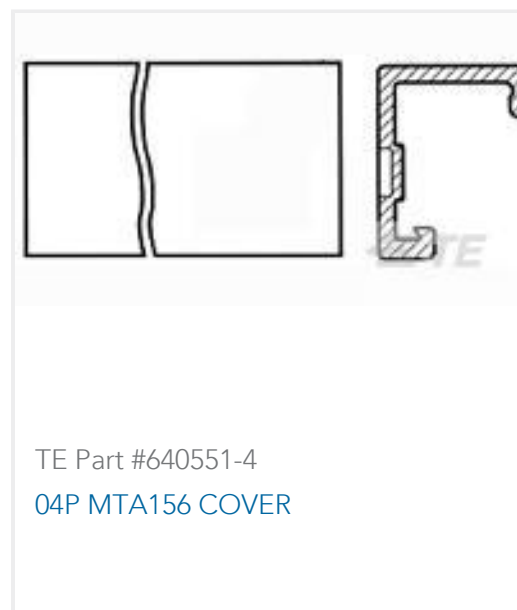
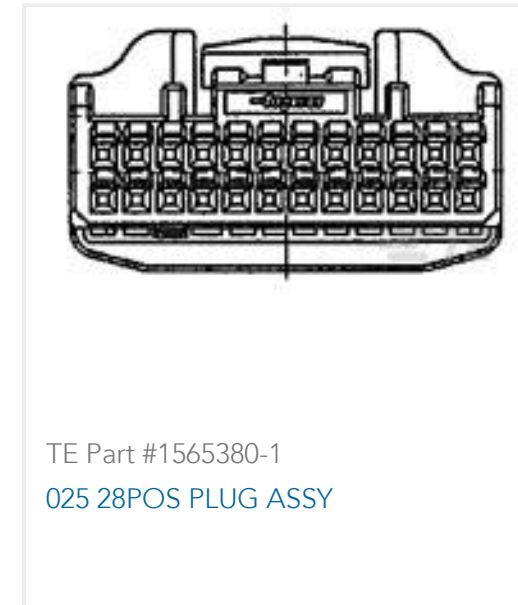
Product Compliance Disclaimer

This information is provided based on reasonable inquiry of our suppliers and represents our current actual knowledge based on the information they provided. This information is subject to change. The part numbers that TE has identified as EU RoHS compliant have a maximum concentration of 0.1% by weight in homogenous materials for lead, hexavalent chromium, mercury, PBB, PBDE, DBP, BBP, DEHP, DIBP, and 0.01% for cadmium, or qualify for an exemption to these limits as defined in the Annexes of Directive 2011/65/EU (RoHS2). Finished electrical and electronic equipment products will be CE marked as required by Directive 2011/65/EU. Components may not be CE marked. Additionally, the part numbers that TE has identified as EU ELV compliant have a maximum concentration of 0.1% by weight in homogenous materials for lead, hexavalent chromium, and mercury, and 0.01% for cadmium, or qualify for an exemption to these limits as defined in the Annexes of Directive 2000/53/EC (ELV). Regarding the REACH Regulation, the information TE provides on SVHC in articles for this part number is based on the latest European Chemicals Agency (ECHA) 'Guidance on requirements for substances in articles' posted at this URL: <https://echa.europa.eu/guidance-documents/guidance-on-reach>

## Compatible Parts

 <p>TE Part # CAT-F439-S01339127 1.27mm FFC Connectors Socket Contacts</p>	 <p>TE Part # 6-104071-4 22 SYSTEM 50 HDR SRST SHRD SN</p>	 <p>TE Part # 6-104074-4 22 SYSTEM 50 HDR SRRA SHRD SN</p>	 <p>TE Part # 1-104071-4 22 SYSTEM 50 HDR SRST SHRD</p>
 <p>TE Part # 1-104074-4 22 SYSTEM 50 HDR SRRA SHRD</p>	 <p>TE Part # 6-104178-2 22 SYS 50 HDR SRST UNSHRD SN</p>	 <p>TE Part # 6-104186-2 22 SYS 50 HDR SRRA UNSHRD SN</p>	

## Customers Also Bought



## Documents

### Product Drawings

[022 HOUSING FFC RCPT 050CL SR](#)

English

### CAD Files

Customer View Model

[ENG\\_CVM\\_CVM\\_1-487545-9\\_AH.2d\\_dxf.zip](#)

English

### 3D PDF

3D

Customer View Model

[ENG\\_CVM\\_CVM\\_1-487545-9\\_AH.3d\\_igs.zip](#)

English

Customer View Model

[ENG\\_CVM\\_CVM\\_1-487545-9\\_AH.3d\\_stp.zip](#)

English

By downloading the CAD file I accept and agree to the [Terms and Conditions](#) of use.

## Datasheets & Catalog Pages



## AMPMODU\_INTERCONNECTION\_SYSTEM\_SECTION3AND4

English

---

### Product Specifications

#### Application Specification

English