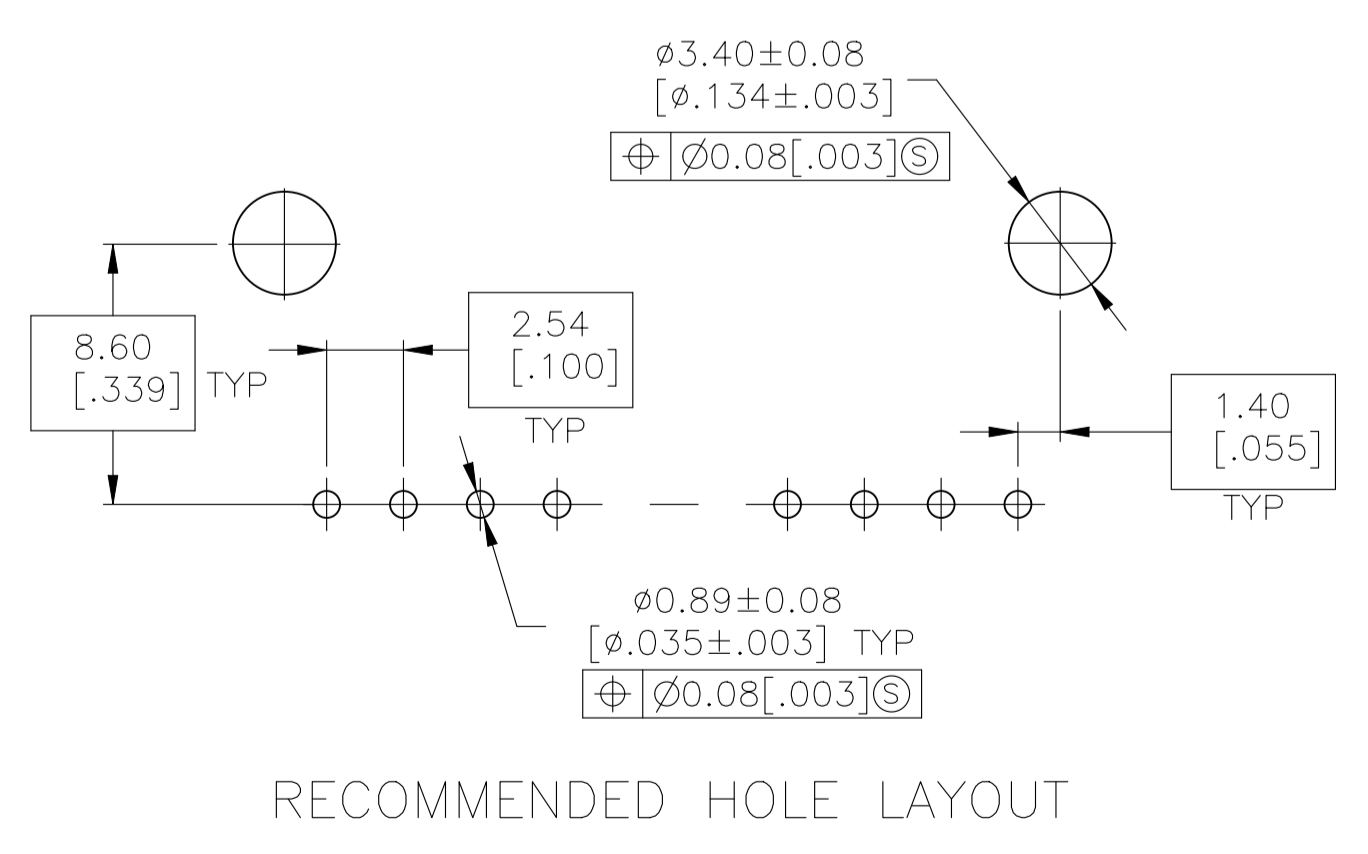
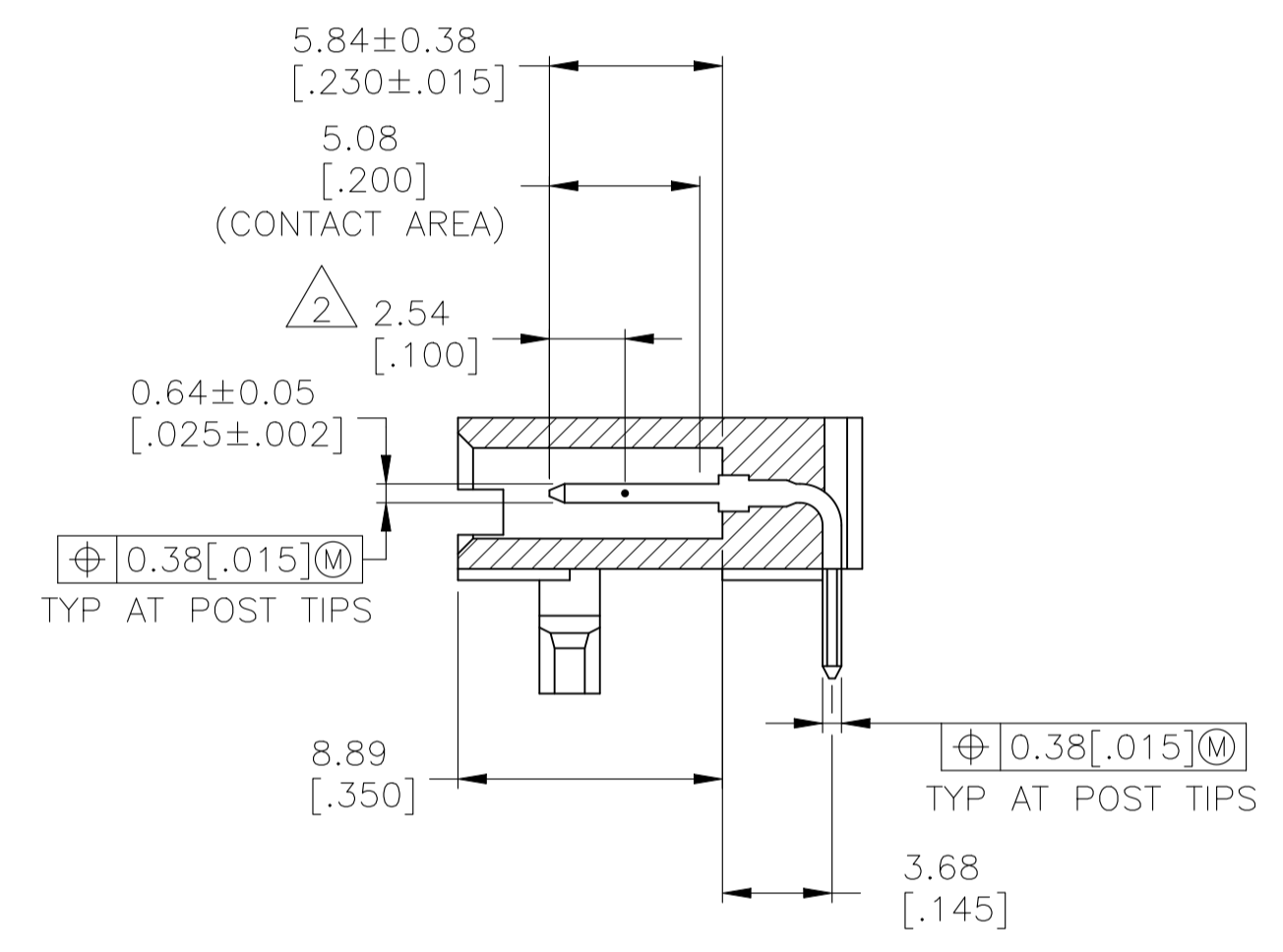
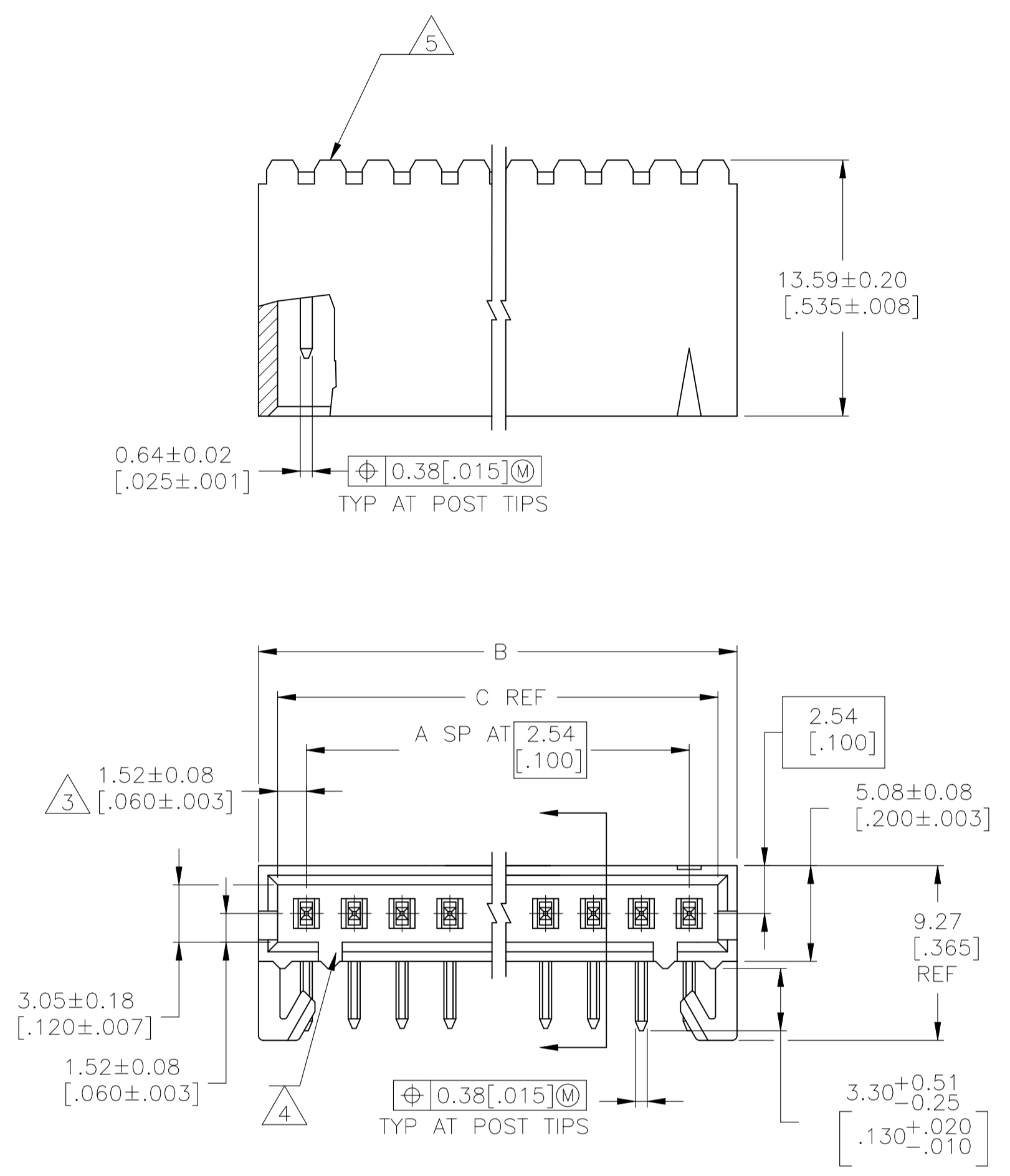


REVISIONS					
REV	DATE	DESCRIPTION	BY	CHK	APPV
S1	03NOV2025	ECR-25-261097	SA	PS	

- 1 .00254[.000100] BRIGHT TIN-LEAD OVER .00127[.000050] NICKEL.
- 2 POINT OF MEASUREMENT FOR PLATING THICKNESS.
- 3 THE NOTED DIMENSIONS APPLY AT THE INTERSECTION OF THE POST AND THE HOUSING.
- 4 ON ASSEMBLIES WITH FOUR OR MORE POSITIONS, TWO POLARIZATION SLOTS.
ON ASSEMBLIES WITH TWO OR THREE POSITIONS, ONE POLARIZATION SLOT.
- 5 AMP TRADEMARK MOLDED ON THIS SURFACE.
- 6 FOR USE WITH 1.57±0.20[.062±.008] PRINTED CIRCUIT BOARD.
- 7 .00254-.00508[.000100-.000200] MATTE TIN OVER .00127[.000050] NICKEL.
- 8 HIGH TEMPERATURE CONFIGURATION
- 9 OBSOLETE PARTS: OBSOLETE CIS STREAMLINING PER D.RENAUD/D.SINISI



	8	7	13.21 [.520]	15.11 [.595]	4	5	5-103671-4
OBSOLETE		1	64.01 [2.520]	65.91 [2.595]	24	25	2-103671-4
OBSOLETE		1	61.47 [2.420]	63.37 [2.495]	23	24	2-103671-3
OBSOLETE		1	58.93 [2.320]	60.83 [2.395]	22	23	2-103671-2
OBSOLETE		1	56.39 [2.220]	58.29 [2.295]	21	22	2-103671-1
OBSOLETE		1	53.85 [2.120]	55.75 [2.195]	20	21	2-103671-0
OBSOLETE		1	51.31 [2.020]	53.21 [2.095]	19	20	1-103671-9
OBSOLETE		1	48.77 [1.920]	50.67 [1.995]	18	19	1-103671-8
OBSOLETE		1	46.23 [1.820]	48.13 [1.895]	17	18	1-103671-7
OBSOLETE		1	43.69 [1.720]	45.59 [1.795]	16	17	1-103671-6
OBSOLETE		1	41.15 [1.620]	43.05 [1.695]	15	16	1-103671-5
OBSOLETE		1	38.61 [1.520]	40.51 [1.595]	14	15	1-103671-4
OBSOLETE		1	36.07 [1.420]	37.97 [1.495]	13	14	1-103671-3
OBSOLETE		1	33.53 [1.320]	35.43 [1.395]	12	13	1-103671-2
OBSOLETE		1	30.99 [1.220]	32.89 [1.295]	11	12	1-103671-1
OBSOLETE		1	28.45 [1.120]	30.35 [1.195]	10	11	1-103671-0
OBSOLETE		1	25.91 [1.020]	27.81 [1.095]	9	10	103671-9
OBSOLETE		1	23.37 [.920]	25.27 [.995]	8	9	103671-8
OBSOLETE		1	20.83 [.820]	22.73 [.895]	7	8	103671-7
OBSOLETE		1	18.29 [.720]	20.19 [.795]	6	7	103671-6
OBSOLETE		1	15.75 [.620]	17.65 [.695]	5	6	103671-5
OBSOLETE		1	13.21 [.520]	15.11 [.595]	4	5	103671-4
OBSOLETE		1	10.67 [.420]	12.57 [.495]	3	4	103671-3
OBSOLETE		1	8.13 [.320]	10.03 [.395]	2	3	103671-2
OBSOLETE	8	1	5.59 [.220]	7.49 [.295]	1	2	103671-1
REMARKS	FINISH	C	B	A	NO OF POSN	PART NO.	

THIS DRAWING IS A CONTROLLED DOCUMENT.

DIMENSIONS: mm [INCHES]

TOLERANCES UNLESS OTHERWISE SPECIFIED:

0. PLC	±	-
1. PLC	±	-
2. PLC	±	0.13[.005]
3. PLC	±	-
4. PLC	±	-
ANGLES	±	-

MATERIAL: HOUSING: LCP
COLOR: BLACK
CONTACTS: BRASS

FINISH: SEE TABLE

APPROVED: S. SHUEY 3-5-91
CHK: L. CASTAGNA 3-27-91
APVD: L. CASTAGNA 3-27-91

NAME: HDRASSY, RTANG, SINGLEROW
PRODUCT SPEC: 2.54[.100]CL.0.64[.025]SQPST,
APPLICATION SPEC: 108-25034
WITH PLZNAHD HOLD DOWNS, AMPMODU MTE

SIZE: A1
CAGE CODE: 00779
DRAWING NO: 103671

WEIGHT: -

CUSTOMER DRAWING

SCALE: 4:1

SHEET: 1 of 1

REV: S1