

35346 ✓ ACTIVE

PIDG

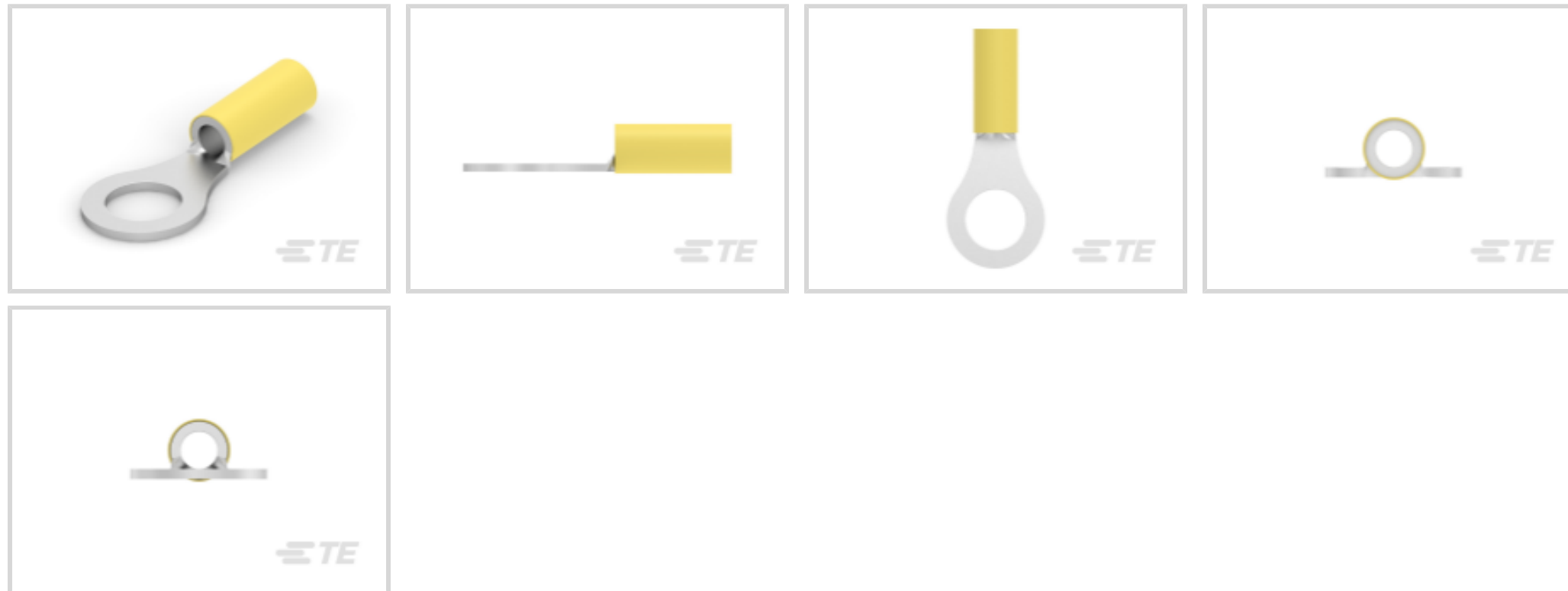
TE Internal #: 35346

Closed Ring Tongue Terminal, 12 – 10 AWG, 5/16 / M8 Stud Size, 8.33 mm [.328 in] Stud Diameter, Closed Barrel, Straight, Tin, PIDG

[View on TE.com >](#)



Terminals & Splices > Ring Terminals > PIDG Ring Tongue Terminals



Ring Terminal Product Type: Closed Ring Tongue Terminal

Wire Size: 5180 – 13100 CMA

Stud Size: M8, 5/16

[All PIDG Ring Tongue Terminals \(410\)](#)

## Features

### Product Type Features

Ring Terminal Product Type	Closed Ring Tongue Terminal
Stud Size	M8, 5/16
Sealable	No
Wire Insulation Support Retention Type	Insulation Support

### Dimensions

Wire Size	5180 – 13100 CMA
Stud Diameter	8.33 mm [.328 in]
Tongue Thickness	1.07 mm [.042 in]
Product Length	35.97 mm [1.42 in]
Compatible Insulation Diameter (Max)	7.62 mm [.3 in]
Compatible Insulation Diameter Range	4.32 – 7.62 mm [.17 – .3 in]

### Contact Features

Barrel Type	Closed
Terminal Orientation	Straight
Terminal Plating Material	Tin

### Usage Conditions

Insulation Option	Partially Insulated
Operating Temperature Range	105 °C[221 °F]

### Operation/Application

Compatible With Wire Base Material	Copper
Compatible With Wire Plating Material	Tin

### Packaging Features

Packaging Method	Loose Piece
Packaging Quantity	500

### Other

EU RoHS Compliance	Compliant
EU ELV Compliance	Compliant

### Configuration Features

Number of Holes	1
-----------------	---

### Electrical Characteristics

Voltage Rating	300 V
----------------	-------

### Body Features

Product Weight	3.172 g
----------------	---------

### Mechanical Attachment

Wire Insulation Support	With
-------------------------	------

### Industry Standards

Government Qualified Terminal	No
-------------------------------	----

### Product Compliance

[For compliance documentation, visit the product page on TE.com>](#)

EU RoHS Directive 2011/65/EU	Compliant
EU ELV Directive 2000/53/EC	Compliant
China RoHS 2 Directive MIIT Order No 32, 2016	No Restricted Materials Above Threshold
EU REACH Regulation (EC) No. 1907/2006	Current ECHA Candidate List: JUNE 2024 (241) Candidate List Declared Against: JUNE 2024 (241)



Does not contain REACH SVHC

Halogen Content	Not Low Halogen - contains Br or Cl > 900 ppm.
Solder Process Capability	Not applicable for solder process capability

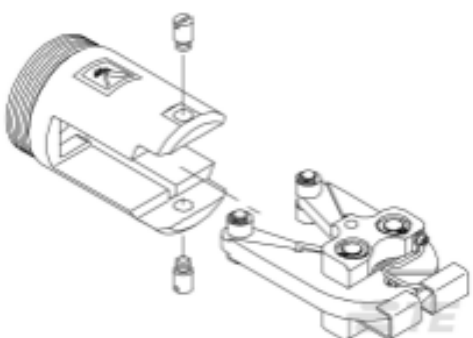
Product Compliance Disclaimer

This information is provided based on reasonable inquiry of our suppliers and represents our current actual knowledge based on the information they provided. This information is subject to change. The part numbers that TE has identified as EU RoHS compliant have a maximum concentration of 0.1% by weight in homogenous materials for lead, hexavalent chromium, mercury, PBB, PBDE, DBP, BBP, DEHP, DIBP, and 0.01% for cadmium, or qualify for an exemption to these limits as defined in the Annexes of Directive 2011/65/EU (RoHS2). Finished electrical and electronic equipment products will be CE marked as required by Directive 2011/65/EU. Components may not be CE marked. Additionally, the part numbers that TE has identified as EU ELV compliant have a maximum concentration of 0.1% by weight in homogenous materials for lead, hexavalent chromium, and mercury, and 0.01% for cadmium, or qualify for an exemption to these limits as defined in the Annexes of Directive 2000/53/EC (ELV). Regarding the REACH Regulation, the information TE provides on SVHC in articles for this part number is based on the latest European Chemicals Agency (ECHA) 'Guidance on requirements for substances in articles' posted at this URL: <https://echa.europa.eu/guidance-documents/guidance-on-reach>

## Compatible Parts



TE Part # 59287-2  
 HHHT PIDG PG 12-10 ASSY




TE Part # 679300-1  
 1210 PIDG CRIMP HEAD

TE Part # 2392020-2  
 YELLOW BATTERY HHHT KIT 220V (59287-2)

TE Part # 2392020-1  
 YELLOW BATTERY HHHT KIT 110V (59287-2)


## Also in the Series | PIDG




Compression Connectors(17)



Crimp Wire Pins, Tabs & Ferrules(41)



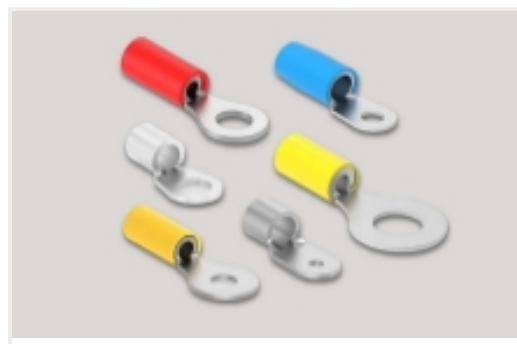
Hand Crimping Tools(2)



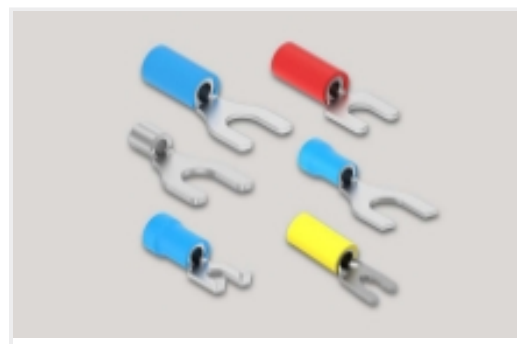
Knife Disconnects(11)



Quick Disconnects(32)



Ring Terminals(588)



Spade Terminals(228)



Special Purpose Terminals(1)

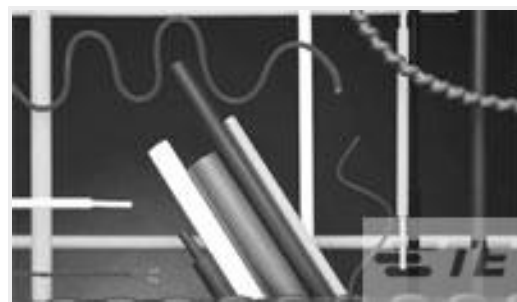


Splices(39)

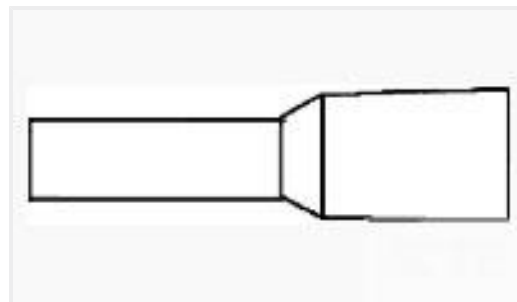
### Customers Also Bought



TE Part #165046  
 PIDG Formed Wire Pins



TE Part #9755734001  
 CGPT-3/1-2-SP



TE Part #2-966067-4  
 FER,WIRE,PL SLV,10.00/8,L12,RED,LP



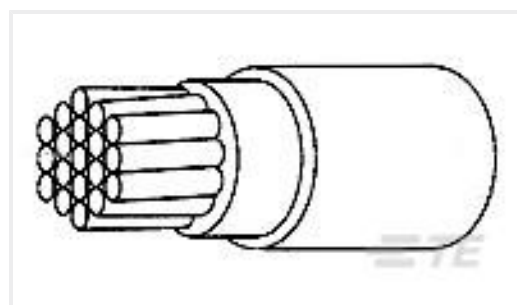
TE Part #130205  
 PIDG RING



TE Part #2-35110-1  
 PIDG 12-10 R 1/4; TAPE



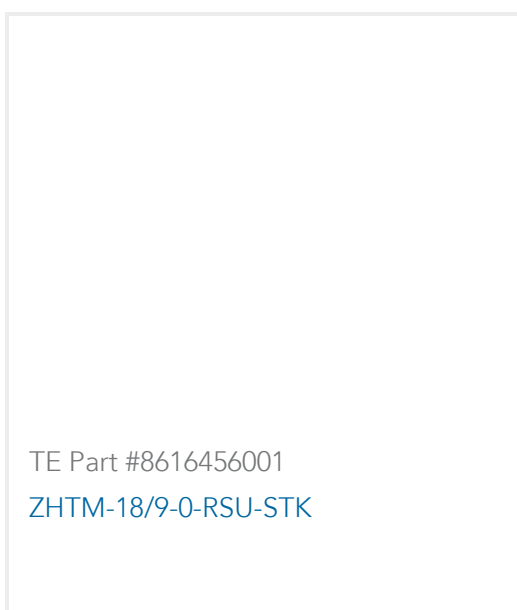
TE Part #SB0865  
 GO1327 1Pt100 W0.3 L13/D2.7mm



TE Part #1071313001  
 100G0111-0.75-0



TE Part #31888  
 PIDG R 22-16 COMM 22-18 MIL 8



TE Part #8616456001  
 ZHTM-18/9-0-RSU-STK

### Documents



**Product Drawings**

[TERMINAL,PIDG R 12-10 5/16](#)

English

---

**CAD Files**

[3D PDF](#)

3D

Customer View Model

[ENG\\_CVM\\_CVM\\_35346\\_J.2d\\_dxf.zip](#)

English

Customer View Model

[ENG\\_CVM\\_CVM\\_35346\\_J.3d\\_igs.zip](#)

English

Customer View Model

[ENG\\_CVM\\_CVM\\_35346\\_J.3d\\_stp.zip](#)

English

By downloading the CAD file I accept and agree to the [Terms and Conditions](#) of use.

---

**Instruction Sheets**

[Instruction Sheet \(U.S.\)](#)

English

---

**Agency Approvals**

[UL Report](#)

English