

2399606-2 ✓ ACTIVE

PowerTube | PowerTube HVP-HD 1400

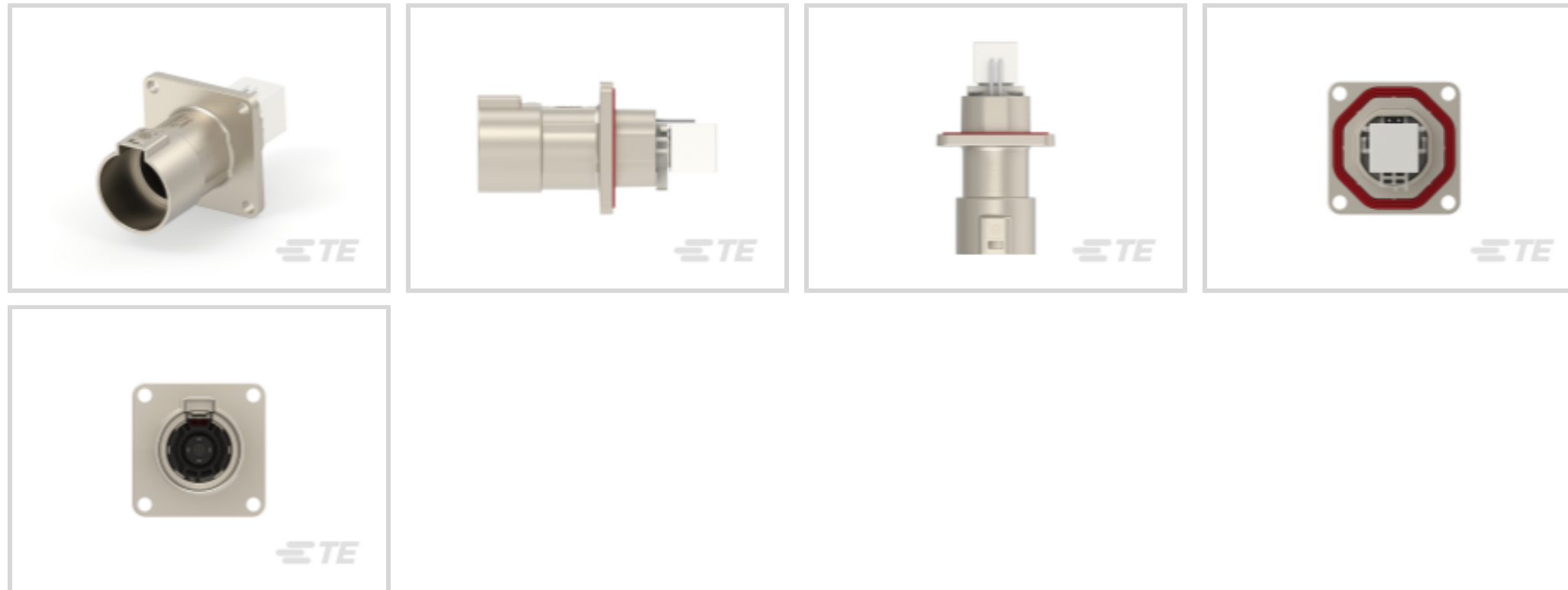
TE Internal #: 2399606-2

Vertical, Bus Bar-to-Wire, 1 Position, Fully Shrouded, Silver (Ag),
Through Hole - Screw, Sealable, Power, Natural, Tray, PowerTube
HVP-HD 1400

[View on TE.com >](#)



Connectors > PCB Connectors > PCB Headers & Receptacles > PowerTube HVP-HD 1400 180° Headers



EU RoHS Compliance: **Compliant**

EU ELV Compliance: **Compliant**

PCB Mount Orientation: **Vertical**

Connector System: **Bus Bar-to-Wire**

Number of Positions: **1**

[All PowerTube HVP-HD 1400 180° Headers \(90\)](#)

Features

Other

EU RoHS Compliance **Compliant**

EU ELV Compliance **Compliant**

Product Type Features

Connector Shape **Circular**

Connector System **Bus Bar-to-Wire**

Header Type **Fully Shrouded**

Sealable **Yes**

Connector & Contact Terminates To **Bus Bar**

Configuration Features

PCB Mount Orientation **Vertical**

Number of Positions **1**

Number of Rows **1**



Electrical Characteristics

Operating Voltage	1000 VDC
Nominal Voltage Architecture	1000 V

Body Features

Connector & Keying Code	B
Primary Product Color	Natural

Contact Features

Mating Pin Diameter	14 mm[.55 in]
Contact Mating Area Plating Material	Silver (Ag)
Contact Type	Pin

Termination Features

Termination Method to PCB	Through Hole - Screw
---------------------------	----------------------

Mechanical Attachment

Mating Alignment Type	Polarization
PCB Mount Retention	Without
Connector Mounting Type	Panel Mount
Mating Alignment	With

Usage Conditions

Operating Temperature (Max)	140 °C[284 °F]
Operating Temperature Range	-40 – 140 °C[-40 – 284 °F]

Operation/Application

Circuit Application	Power
---------------------	-------

Industry Standards

IP Rating	IP6K9K
UL Flammability Rating	UL 94V-0

Packaging Features

Packaging Method	Tray
------------------	------

Product Compliance

For compliance documentation, visit the product page on [TE.com](https://www.te.com)>

EU RoHS Directive 2011/65/EU	Compliant
------------------------------	-----------



EU ELV Directive 2000/53/EC

Compliant

China RoHS 2 Directive MIIT Order No 32, 2016

No Restricted Materials Above Threshold

EU REACH Regulation (EC) No. 1907/2006

Current ECHA Candidate List: JUNE 2024 (241)

Candidate List Declared Against: JUNE 2024 (241)

SVHC > Threshold:

Octamethylcyclotetrasiloxane (D4) (10% in Component Part)

Article Safe Usage Statements:

Wash thoroughly after handling. Recycle if possible and dispose of the article by following all applicable governmental regulations relevant to your geographic location.

Halogen Content

Low Halogen - Br, Cl, F, I < 900 ppm per homogenous material. Also BFR/CFR/PVC Free

Solder Process Capability

Not reviewed for solder process capability

Product Compliance Disclaimer

This information is provided based on reasonable inquiry of our suppliers and represents our current actual knowledge based on the information they provided. This information is subject to change. The part numbers that TE has identified as EU RoHS compliant have a maximum concentration of 0.1% by weight in homogenous materials for lead, hexavalent chromium, mercury, PBB, PBDE, DBP, BBP, DEHP, DIBP, and 0.01% for cadmium, or qualify for an exemption to these limits as defined in the Annexes of Directive 2011/65/EU (RoHS2). Finished electrical and electronic equipment products will be CE marked as required by Directive 2011/65/EU. Components may not be CE marked. Additionally, the part numbers that TE has identified as EU ELV compliant have a maximum concentration of 0.1% by weight in homogenous materials for lead, hexavalent chromium, and mercury, and 0.01% for cadmium, or qualify for an exemption to these limits as defined in the Annexes of Directive 2000/53/EC (ELV). Regarding the REACH Regulation, the information TE provides on SVHC in articles for this part number is based on the latest European Chemicals Agency (ECHA) 'Guidance on requirements for substances in articles' posted at this URL: <https://echa.europa.eu/guidance-documents/guidance-on-reach>

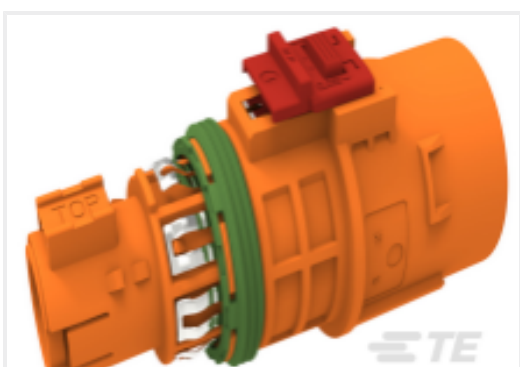
Compatible Parts



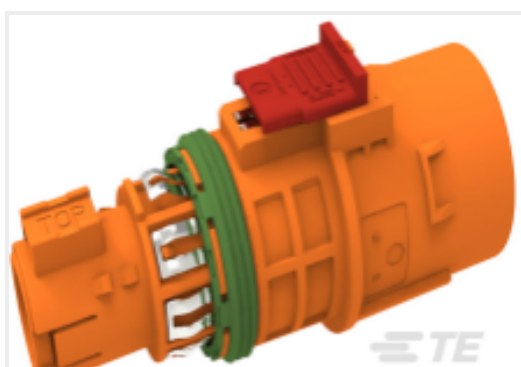
TE Part # CAT-AQ4-HFFTH1400
PowerTube HVP-HD 1400 Plug Pre-Assemblies



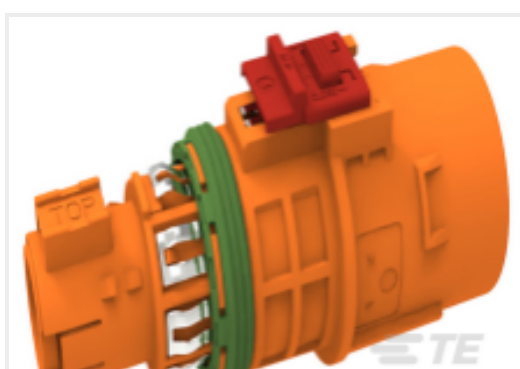
TE Part # 2407804-1
COVER, SHIPPING CAP FOR HD1400 HEADR



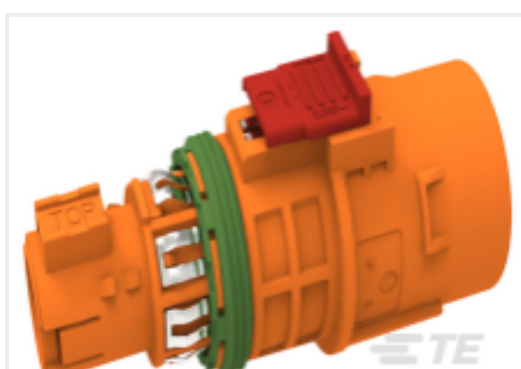
TE Part # 2446256-1
HD1400 PRE-ASSY, NO TPA, FINGER



TE Part # 2446256-2
HD1400 PRE-ASSY, NO TPA, TOOL



TE Part # 2446256-3
HD1400 PRE-ASSY SU-BEAM, NO TPA, FINGER

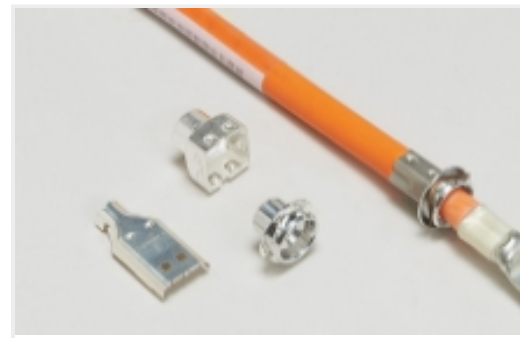


TE Part # 2446256-4
HD1400 PRE-ASSY SU-BEAM, NO TPA, TOOL

Also in the Series | PowerTube HVP-HD 1400



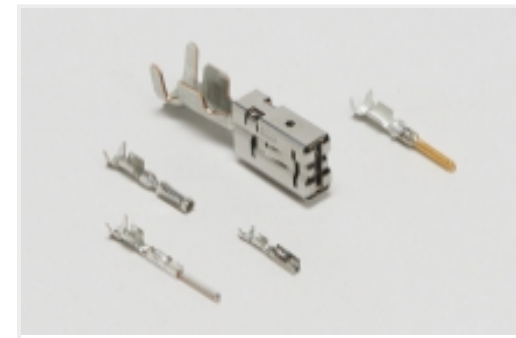
Automotive Connector Caps & Covers (1)



Automotive Connector EMC Shielding (5)



Automotive Housings(28)



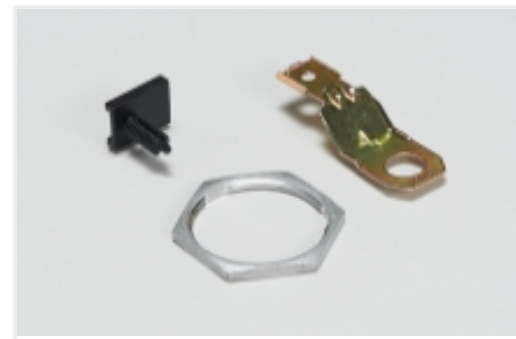
Automotive Terminals(4)



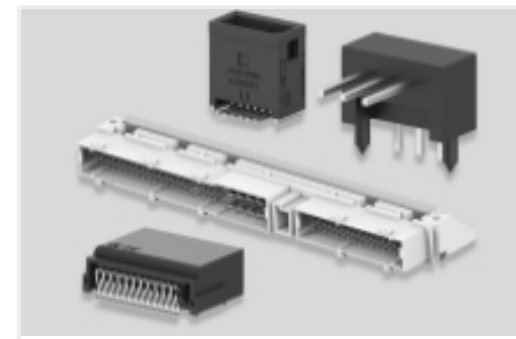
Connector Caps & Covers(1)



Connector Seals & Cavity Plugs(9)



Other Automotive Connector Accessories(29)

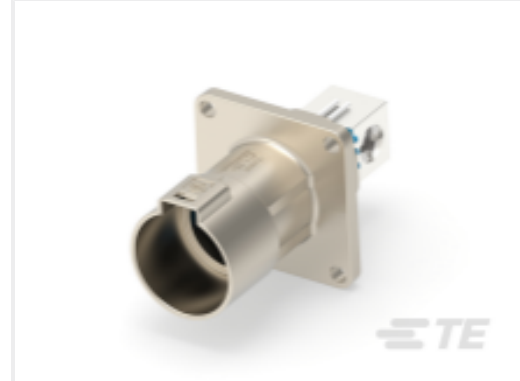


PCB Headers & Receptacles(189)

Customers Also Bought



TE Part #1418918-1
Circular DIN Backshells



TE Part #2399606-3
PowerTube HVP-HD 1400 180° Headers



TE Part #2-2208102-2
4POS,HVA,2PHM,PASS THRU,HYB ASSY



TE Part #2103169-4
OUTER HOUSING, CAP, KEY D, HVA280-2PHM



TE Part #2371242-1
CU ALLOY,INNER FERRULE,ICT CVE



TE Part #2371245-1
SOC CONN CVR,3POS,DIA 4MM,ICT CVE



TE Part #2386340-2
DIA 14MM,TERMINAL,FAM SLD /UNSLD,CB

Documents

Product Drawings

1POS,HVP1400,ASSY,180DEG,COD B

English

CAD Files

3D PDF

3D



Customer View Model

[ENG_CVM_CVM_2399606-2_D.2d_dxf.zip](#)

English

Customer View Model

[ENG_CVM_CVM_2399606-2_D.3d_igs.zip](#)

English

Customer View Model

[ENG_CVM_CVM_2399606-2_D.3d_stp.zip](#)

English

By downloading the CAD file I accept and agree to the [Terms and Conditions](#) of use.

Datasheets & Catalog Pages

[HIVONEX CONNECTORS & CHARGING SOLUTIONS](#)

English

Product Specifications

[Application Specification](#)

English