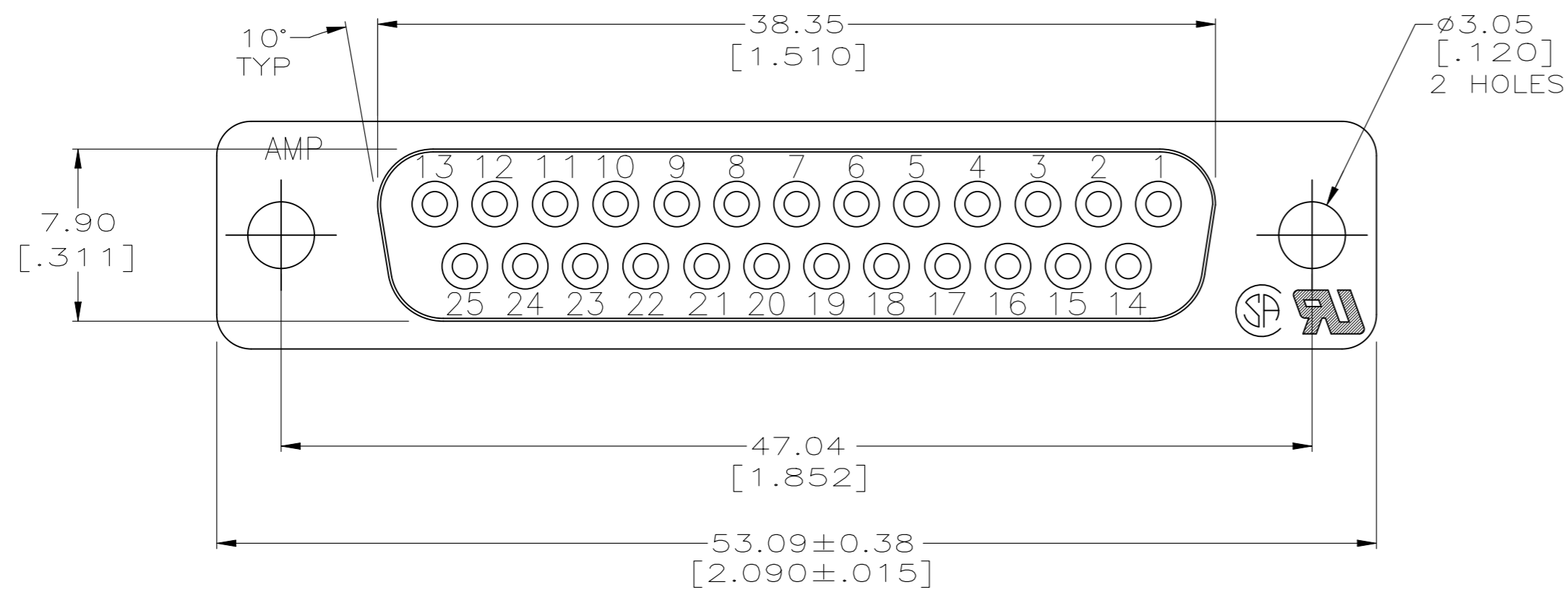
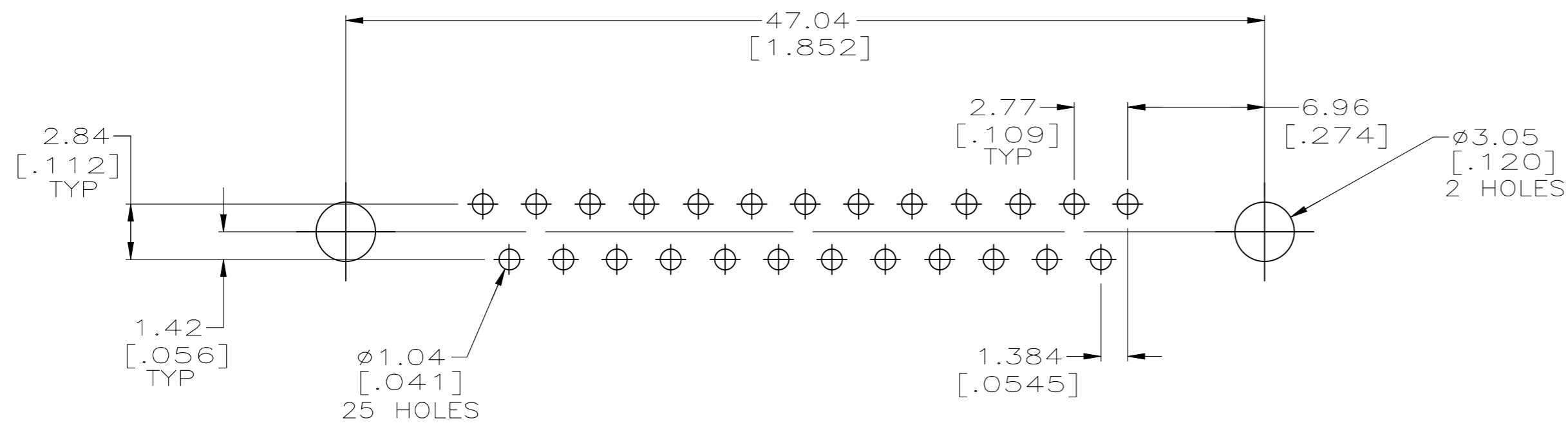
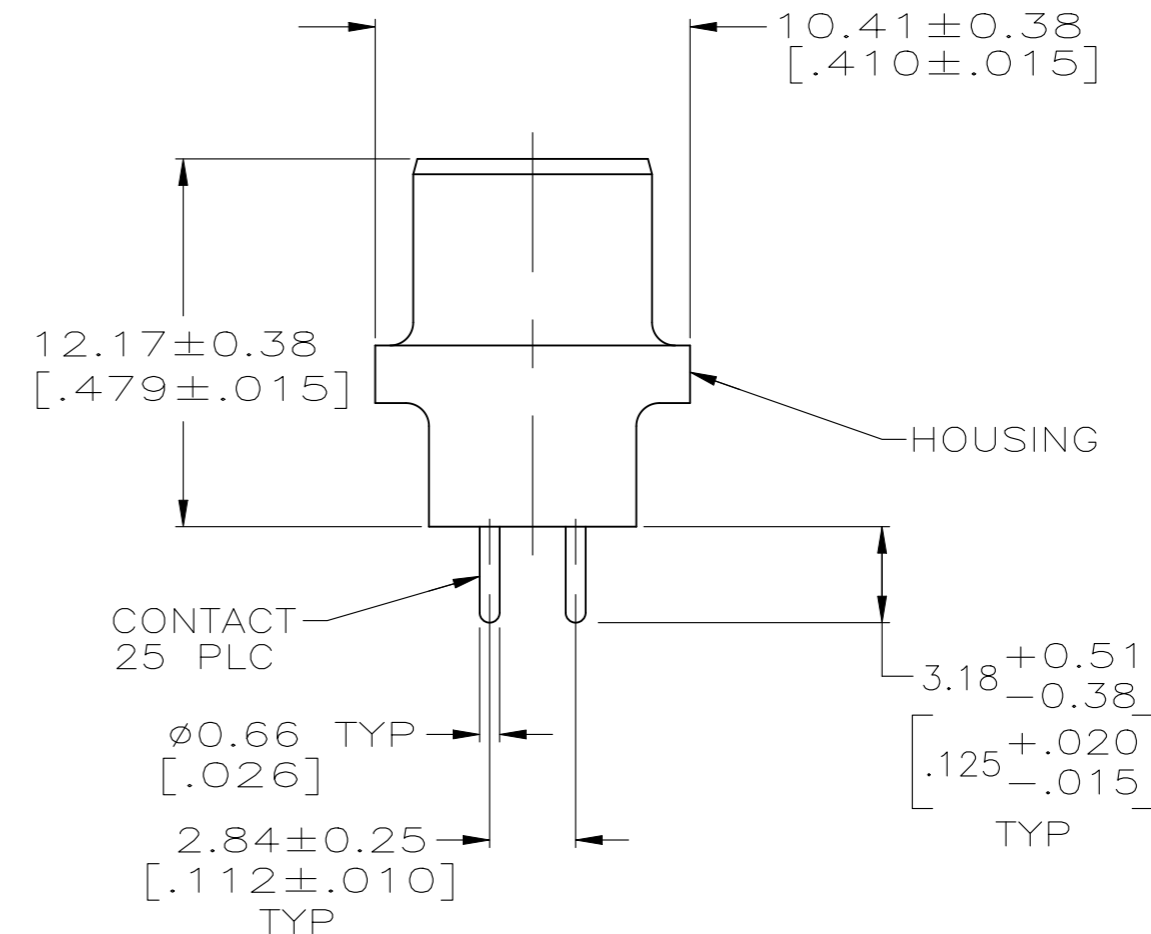
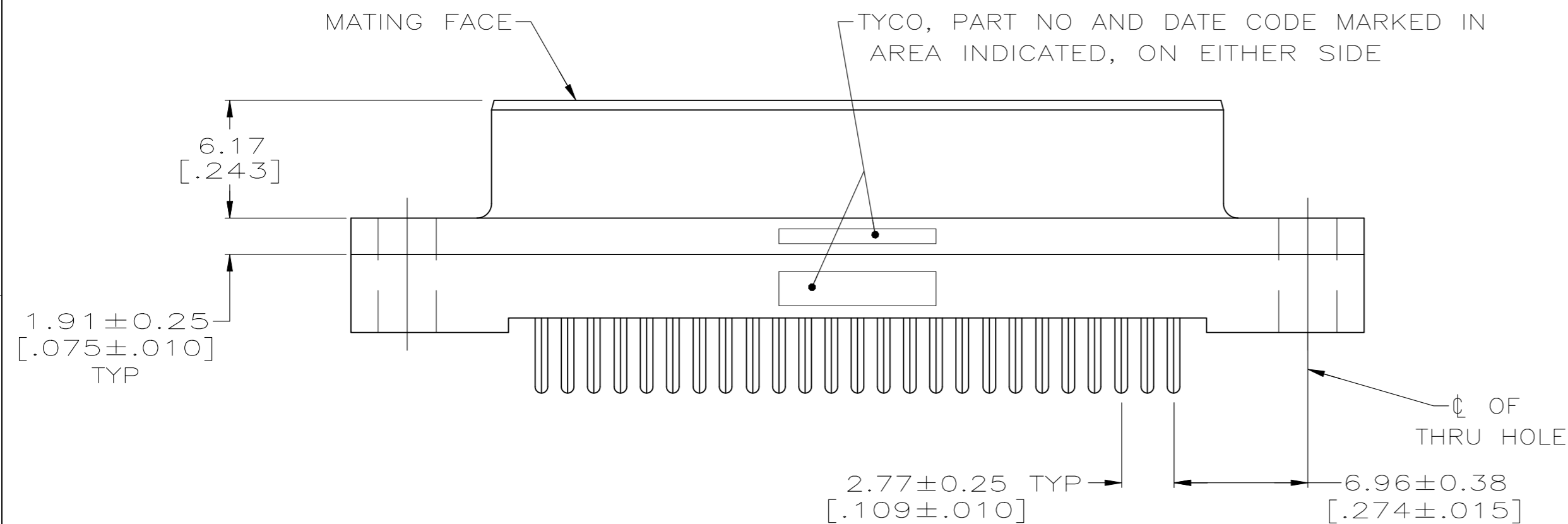


REVISIONS					
P	LTR	DESCRIPTION	DATE	DWN	APVD
A		REVISED AS PER ECR-25-235176	18SEP2025	PK	SKN



- 1 HOUSING: BLACK POLYESTER, UL 94V-0 RATED. CONTACTS: PHOSPHOR BRONZE.
- 2 GOLD FLASH FOR A LENGTH OF 2.54[.100] MIN FROM MATING END, 2.54 μ m[.000100] MIN TIN FOR A LENGTH OF 3.18[.125] FROM OPPOSITE END, ALL OVER 1.27 μ m[.000050] MIN NICKEL.
- 3 0.76 μ m[.000030] MIN GOLD FOR A LENGTH OF 2.54[.100] MIN FROM MATING END, 2.54 μ m[.000100] MIN TIN FOR A LENGTH OF 3.18[.125] FROM OPPOSITE END, ALL OVER 1.27 μ m[.000050] MIN NICKEL.



RECOMMENDED PC BOARD MOUNTING DIMENSIONS

**COPYRIGHT 2005
TYCO ELECTRONICS CORP
ALL RIGHTS RESERVED**

	3	5207828-4
OBSOLETE	2	5207828-3
CONTACT FINISH		PART NO

THIS DRAWING IS A CONTROLLED DOCUMENT.		DWN G.PETERS 08SEP05	TE Connectivity	
DIMENSIONS: INCHES		CHK S.BOLASH 08SEP05		
TOLERANCES UNLESS OTHERWISE SPECIFIED:		APVD M.WALMSLEY 08SEP05	NAME	
0 PLC \pm -	1 PLC \pm -	PRODUCT SPEC	RECEPTACLE ASSEMBLY, SIZE 3, 25 POSN, VERTICAL, AMPLIMITE HD-20	
2 PLC \pm 0.13 [.005]	3 PLC \pm -	APPLICATION SPEC	SIZE A2	CAGE CODE 00779
4 PLC \pm -	ANGLES \pm 2°	WEIGHT 0.000000	DRAWING NO C=5207828	RESTRICTED TO -
MATERIAL 1	CONTACTS: SEE TABLE	CUSTOMER DRAWING	SCALE 4:1	SHEET 1 OF 1