

5-104652-3 ✓ ACTIVE

AMPMODU | AMPMODU 50/50 Grid

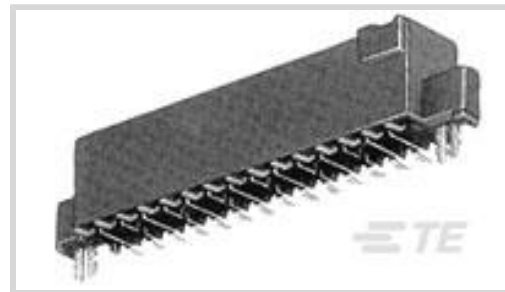
TE Internal #: 5-104652-3

PCB Mount Receptacle, Vertical, Board-to-Board, 30 Position, 1.27 mm [.05 in] Centerline, Gold, Surface Mount, Signal, Black, AMPMODU 50/50 Grid

[View on TE.com >](#)



Connectors > PCB Connectors > PCB Headers & Receptacles



EU RoHS Compliance: **Compliant**

EU ELV Compliance: **Compliant**

PCB Connector Assembly Type: **PCB Mount Receptacle**

PCB Mount Orientation: **Vertical**

Connector System: **Board-to-Board**

Features

Contact Features

	150 μ m
Mating Pin Diameter	.46 mm [.018 in]
Contact Mating Area Plating Material Thickness	.762 μ m [30 μ m]
Contact Base Material	Copper Alloy
PCB Contact Termination Area Plating Material	Tin
Contact Mating Area Plating Material	Gold
Contact Type	Socket
Contact Current Rating (Max)	.5 A

Other

EU RoHS Compliance	Compliant
EU ELV Compliance	Compliant

Product Type Features

PCB Connector Assembly Type	PCB Mount Receptacle
Connector System	Board-to-Board
Connector & Contact Terminates To	Printed Circuit Board

Configuration Features

Board-to-Board Configuration	Parallel
PCB Mount Orientation	Vertical



Number of Positions	30
---------------------	----

Number of Rows	2
----------------	---

Electrical Characteristics

Operating Voltage	30 VAC
-------------------	--------

Insulation Resistance	5000 MΩ
-----------------------	---------

Body Features

PCB Retention Feature Material	Copper Alloy
--------------------------------	--------------

PCB Retention Feature Plating Material	Tin over Nickel
--	-----------------

Primary Product Color	Black
-----------------------	-------

Termination Features

Rectangular Termination Post & Tail Width	.36 mm[.014 in]
---	-----------------

Rectangular Termination Post & Tail Thickness	.08 mm[.003 in]
---	-----------------

Termination Method to PCB	Surface Mount
---------------------------	---------------

Mechanical Attachment

Mating Alignment Type	Polarizing Tab
-----------------------	----------------

PCB Mount Retention Type	Hold-Down Post
--------------------------	----------------

PCB Mount Retention	With
---------------------	------

PCB Mount Alignment	Without
---------------------	---------

Connector Mounting Type	Board Mount
-------------------------	-------------

Mating Alignment	With
------------------	------

Housing Features

Housing Material	LCP - GF (Liquid Crystal Polymer)
------------------	-----------------------------------

Centerline (Pitch)	1.27 mm[.05 in]
--------------------	-----------------

Dimensions

Row-to-Row Spacing	1.27 mm[.05 in]
--------------------	-----------------

PCB Thickness (Recommended)	1.57 mm[.062 in]
-----------------------------	------------------

Connector Height	4.75 mm[.187 in]
------------------	------------------

Usage Conditions

Operating Temperature Range	-65 – 105 °C[-85 – 221 °F]
-----------------------------	----------------------------

Operation/Application

Solder Process Feature	Board Standoff
------------------------	----------------

Circuit Application	Signal
---------------------	--------



Industry Standards

Compatible With Approved Standards Products	UL E28476, CSA LR7189
UL Flammability Rating	UL 94V-0

Packaging Features

Packaging Quantity	22
Packaging Method	Tube, Box

Product Compliance

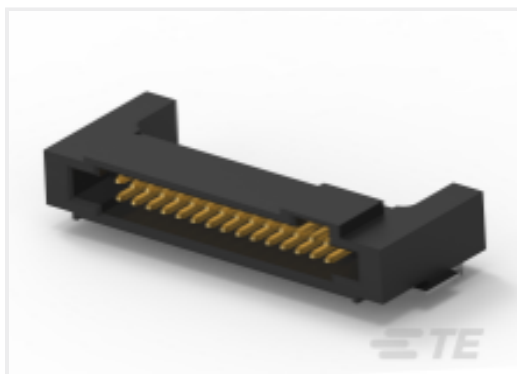
[For compliance documentation, visit the product page on TE.com>](#)

EU RoHS Directive 2011/65/EU	Compliant
EU ELV Directive 2000/53/EC	Compliant
China RoHS 2 Directive MIIT Order No 32, 2016	No Restricted Materials Above Threshold
EU REACH Regulation (EC) No. 1907/2006	Current ECHA Candidate List: JUNE 2024 (241) Candidate List Declared Against: JUNE 2024 (241) Does not contain REACH SVHC
Halogen Content	Low Halogen - Br, Cl, F, I < 900 ppm per homogenous material. Also BFR/CFR/PVC Free
Solder Process Capability	Reflow solder capable to 260°C

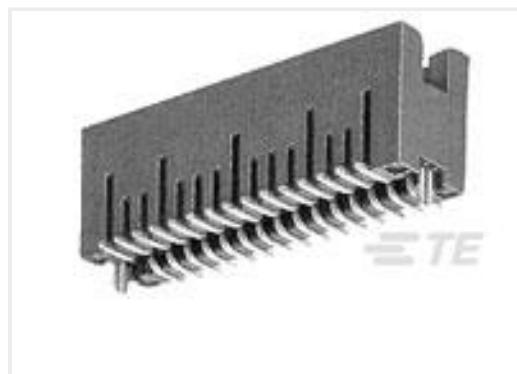
Product Compliance Disclaimer

This information is provided based on reasonable inquiry of our suppliers and represents our current actual knowledge based on the information they provided. This information is subject to change. The part numbers that TE has identified as EU RoHS compliant have a maximum concentration of 0.1% by weight in homogenous materials for lead, hexavalent chromium, mercury, PBB, PBDE, DBP, BBP, DEHP, DIBP, and 0.01% for cadmium, or qualify for an exemption to these limits as defined in the Annexes of Directive 2011/65/EU (RoHS2). Finished electrical and electronic equipment products will be CE marked as required by Directive 2011/65/EU. Components may not be CE marked. Additionally, the part numbers that TE has identified as EU ELV compliant have a maximum concentration of 0.1% by weight in homogenous materials for lead, hexavalent chromium, and mercury, and 0.01% for cadmium, or qualify for an exemption to these limits as defined in the Annexes of Directive 2000/53/EC (ELV). Regarding the REACH Regulation, the information TE provides on SVHC in articles for this part number is based on the latest European Chemicals Agency (ECHA) 'Guidance on requirements for substances in articles' posted at this URL: <https://echa.europa.eu/guidance-documents/guidance-on-reach>

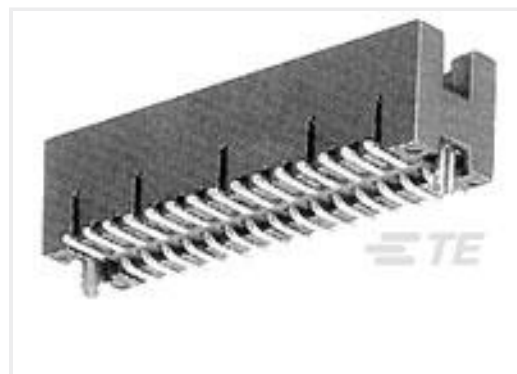
Compatible Parts



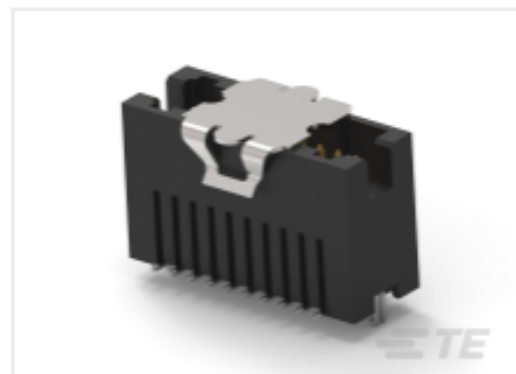
TE Part # 5-104894-3
30 50/50 GRID RA HDR LF



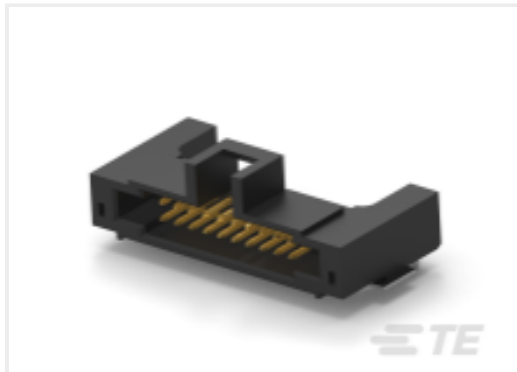
TE Part # 5-104656-3
30 50/50 HDR DRST SFMNT.320 SN



TE Part # 5-104655-4
30 50/50 HDR DRST SFMNT TIN



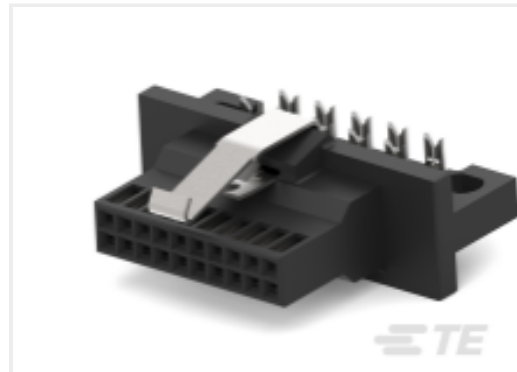
TE Part # 5-147383-3
30 50/50 HDR SMT.390 W/HD VC



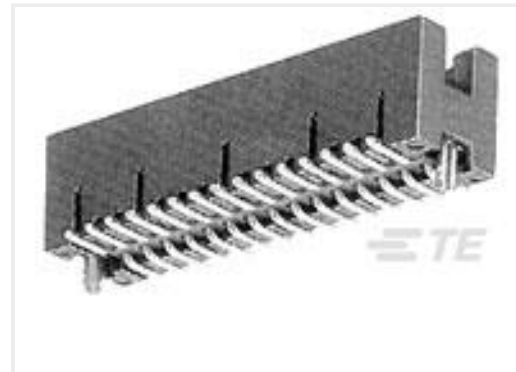
TE Part # 5-104895-3
30 50/50 GRID RA HDR W/LTCH LF



TE Part # 5-104693-3
30 50/50 HDR DRST SFMNT.390 SN



TE Part # 5-104892-3
30 50/50 GRID RCPT W/LTCH LF



TE Part # 5-147381-3
30 50/50 HDR SMT.250 W/HD SN



TE Part # 5-147382-3
30 50/50 HDR SMT.320 W/HD SN

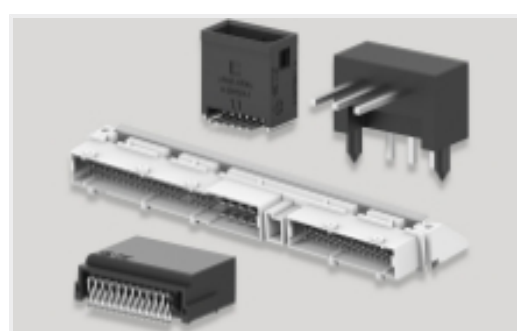
Also in the Series | **AMPMODU 50/50 Grid**



Connector Caps & Covers(7)



Insertion & Extraction Tools(1)



PCB Headers & Receptacles(193)



Ribbon Cable Connectors(21)

Customers Also Bought



TE Part #5050865-5
SOCKET,MIN-SPR SN-AU SER-4



TE Part #5050864-1
SOCKET,MIN-SPR SN-AU SER-3



TE Part #2205061-3
CA MICRO-MATCH MOW-MOW 6POS



TE Part #2205069-2
CA MICRO-MATCH MOW-PB 6POS



TE Part #MS560702BA03-50
MS5607-02BA SS CAP ALTIMETER T&R



TE Part #3-1589683-3
USS004B5T = STRIP CON



TE Part #YD369-G99-NP400000
369 9 WAY INLINE 90 PCB REC,
GOLD, PIN



TE Part #NB18932001
RNF-100-1/4-BK-STK



TE Part #1-188685-2
STD TIMER PCB CONTACT



TE Part #063209-E
SMCQ 26 M AB VV 3-03 CLHD * H007
137 E00

Documents

Product Drawings

[30 50/50 GRID DRST SFMNT RCPT](#)

English

CAD Files

[3D PDF](#)

3D

Customer View Model

[ENG_CVM_CVM_5-104652-3_L.2d_dxf.zip](#)

English

Customer View Model

[ENG_CVM_CVM_5-104652-3_L.3d_igs.zip](#)

English

Customer View Model

[ENG_CVM_CVM_5-104652-3_L.3d_stp.zip](#)

English

By downloading the CAD file I accept and agree to the [Terms and Conditions](#) of use.

Datasheets & Catalog Pages

[AMPMODU_INTERCONNECTION_SYSTEM_SECTION1AND2](#)

English

[Ribbon Cable Interconnect Solutions](#)

English

[Fine Pitch Stacking Connectors - 1.27mm AMPMODU 50/50 Grid Connectors](#)

English

[5-1773700-6_AMPMODU_50_50_QRG](#)

English



Product Specifications

Application Specification

English

Agency Approvals

UL Report

English