



MCON | MCON 1.2mm

TE Internal #: 1-1456426-5

Housing for Female Terminals, Wire-to-Board / Wire-to-Device / Wire-to-Wire, 4 Position, 4 mm [.157 in] Centerline, Sealable, Black, MCON 1.2mm

[View on TE.com >](#)

Connectors > Automotive Connectors > Automotive Housings



Connector System: **Wire-to-Board, Wire-to-Device, Wire-to-Wire**

Number of Positions: **4**

Connector & Housing Type: **Housing for Female Terminals**

Centerline (Pitch): **4 mm [.157 in]**

Sealable: **Yes**

**Features**

**Product Type Features**

Connector System	Wire-to-Board, Wire-to-Device, Wire-to-Wire
Connector & Housing Type	Housing for Female Terminals
Sealable	Yes
Primary Locking Feature	Integrated in Housing
Mixed & Hybrid Connector	No
Connector Shape	Rectangular

**Configuration Features**

Number of Positions	4
Number of Rows	1

**Housing Features**

Centerline (Pitch)	4 mm [.157 in]
Housing Material	PA GF

**Contact Features**

Mating Tab Width	1.2 mm [.047 in]
Contact Size	1.2mm
Contact Type	Receptacle

**Body Features**

--	--



Primary Product Color	Black
-----------------------	-------

Connector & Keying Code	A
-------------------------	---

### Operation/Application

Circuit Application	Signal
---------------------	--------

### Mechanical Attachment

Connector Mounting Type	Cable Mount (Free-Hanging)
-------------------------	----------------------------

Strain Relief	Without
---------------	---------

Terminal Position Assurance	Yes
-----------------------------	-----

Mating Alignment Type	Keyed
-----------------------	-------

Mating Alignment	With
------------------	------

### Usage Conditions

Operating Temperature (Max)	130 °C, 80 °C, 125 °C, 105 °C, 100 °C, 90 °C, 85 °C, 75 °C, 145 °C, 150 °C, 70 °C, 140 °C, 110 °C, 120 °C[293 °F][248 °F][221 °F][158 °F][167 °F][266 °F][257 °F][230 °F][176 °F][194 °F][302 °F][284 °F][185 °F][212 °F]
-----------------------------	---

Operating Temperature Range	-40 – 150 °C[-40 – 302 °F]
-----------------------------	----------------------------

### Other

Connector Position Assurance Capable	Yes
--------------------------------------	-----

EU RoHS Compliance	Compliant
--------------------	-----------

EU ELV Compliance	Compliant
-------------------	-----------

Serviceable	Yes
-------------	-----

### Dimensions

Product Width	26.5 mm[1.043 in]
---------------	-------------------

Product Length	24.7 mm[.972 in]
----------------	------------------

Connector Height	17.5 mm[.689 in]
------------------	------------------

### Industry Standards

IP Rating	IP67
-----------	------

### Product Compliance

[For compliance documentation, visit the product page on TE.com>](#)

EU RoHS Directive 2011/65/EU	Compliant
------------------------------	-----------

EU ELV Directive 2000/53/EC	Compliant
-----------------------------	-----------

China RoHS 2 Directive MIIT Order No 32, 2016	No Restricted Materials Above Threshold
EU REACH Regulation (EC) No. 1907/2006	Current ECHA Candidate List: JUNE 2024 (241) Candidate List Declared Against: JUNE 2024 (241) Does not contain REACH SVHC
Halogen Content	Low Halogen - Br, Cl, F, I < 900 ppm per homogenous material. Also BFR/CFR/PVC Free
Solder Process Capability	Not applicable for solder process capability


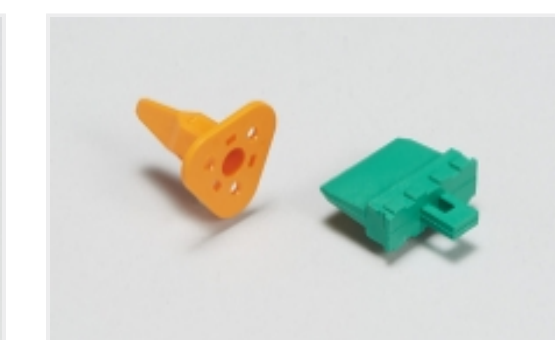


Product Compliance Disclaimer

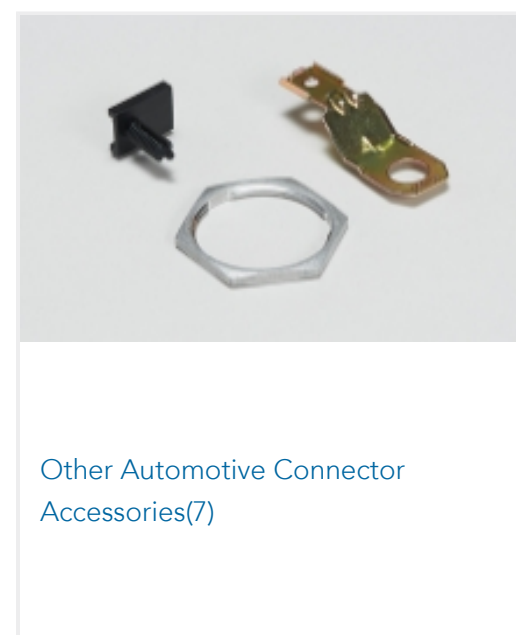
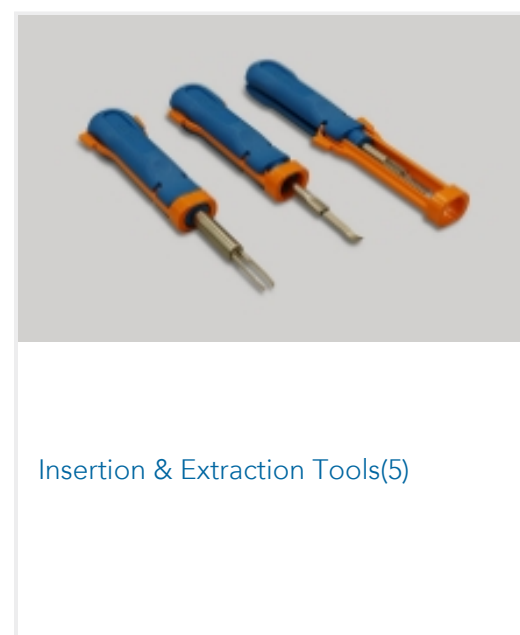
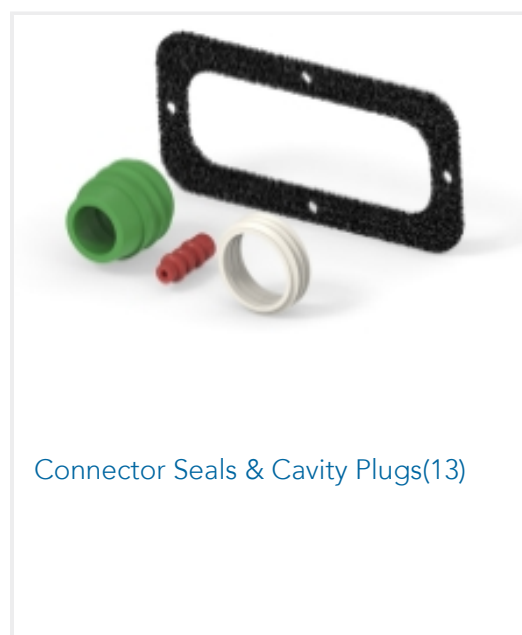
This information is provided based on reasonable inquiry of our suppliers and represents our current actual knowledge based on the information they provided. This information is subject to change. The part numbers that TE has identified as EU RoHS compliant have a maximum concentration of 0.1% by weight in homogenous materials for lead, hexavalent chromium, mercury, PBB, PBDE, DBP, BBP, DEHP, DIBP, and 0.01% for cadmium, or qualify for an exemption to these limits as defined in the Annexes of Directive 2011/65/EU (RoHS2). Finished electrical and electronic equipment products will be CE marked as required by Directive 2011/65/EU. Components may not be CE marked. Additionally, the part numbers that TE has identified as EU ELV compliant have a maximum concentration of 0.1% by weight in homogenous materials for lead, hexavalent chromium, and mercury, and 0.01% for cadmium, or qualify for an exemption to these limits as defined in the Annexes of Directive 2000/53/EC (ELV). Regarding the REACH Regulation, the information TE provides on SVHC in articles for this part number is based on the latest European Chemicals Agency (ECHA) 'Guidance on requirements for substances in articles' posted at this URL: <https://echa.europa.eu/guidance-documents/guidance-on-reach>

## Compatible Parts

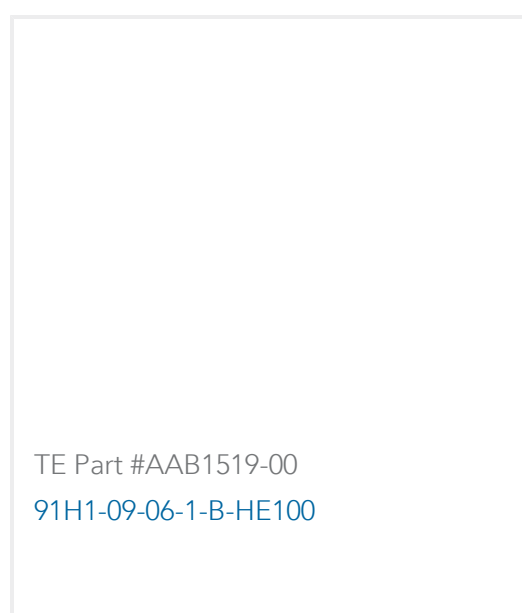
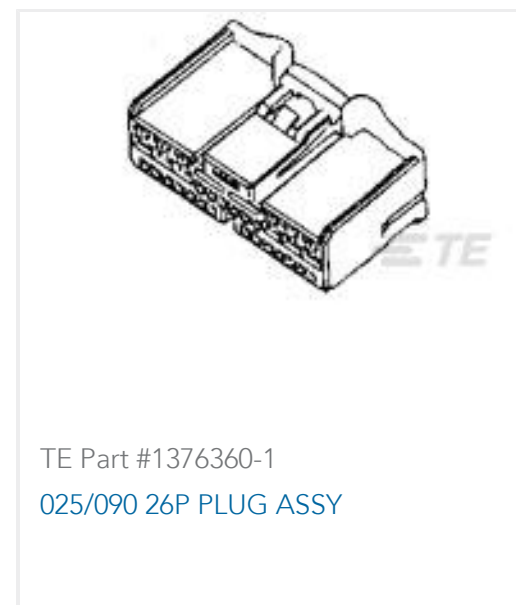
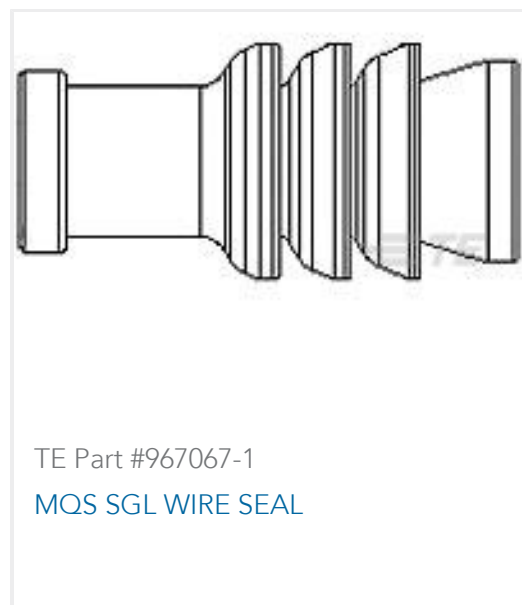
 <p>TE Part # 963143-1 MQS BLINDSTOPFEN</p>	 <p>TE Part # CAT-NC1-NMA12 NextGen &amp; NextGen Plus MCON 1.2 Locking Lance Single Wire Seals and Cavity Plugs</p>	 <p>TE Part # 964972-1 EINZELLEITERDICHTNG</p>	 <p>TE Part # CAT-M4595-T273 MCON Receptacle and Tab</p>
--	--	---	---

## Also in the Series | MCON 1.2mm

 <p>Automotive Connector Caps &amp; Covers (18)</p>	 <p>Automotive Connector Locks &amp; Position Assurance(10)</p>	 <p>Automotive Housings(324)</p>	 <p>Automotive Terminals(93)</p>
--	---	---	---



## Customers Also Bought



## Documents

### Product Drawings

4POS, MCON 1.2 CB REC 2p TL SEALED

English

### CAD Files

Customer View Model

[ENG\\_CVM\\_CVM\\_1-1456426-5\\_B.2d\\_dxf.zip](#)

English

### 3D PDF

3D

Customer View Model

[ENG\\_CVM\\_CVM\\_1-1456426-5\\_B.3d\\_igs.zip](#)

English

Customer View Model

[ENG\\_CVM\\_CVM\\_1-1456426-5\\_B.3d\\_stp.zip](#)

English

By downloading the CAD file I accept and agree to the [Terms and Conditions](#) of use.



---

**Instruction Sheets**

[Instruction Sheet \(U.S.\)](#)

English

[Instruction Sheet \(U.S.\)](#)

English