

1445856-1 ✓ ACTIVE

AMP | AMP CPC

TE Internal #: 1445856-1

Cable Clamp Kit, Thermoplastic, Black, Shell Size 11, 12 mm [.453 in] Cable Entry, AMP CPC

[View on TE.com >](#)



Connectors > Connector Accessories > Connector Strain Relief



Strain Relief Accessory Type: **Cable Clamp Kit**

Primary Product Material: **Thermoplastic**

Primary Product Color: **Black**

Compatible With Connector Shell Size: **11**

Cable Entry Diameter: **12 mm [.453 in]**

Features

Product Type Features

Strain Relief Accessory Type	Cable Clamp Kit
------------------------------	-----------------

Body Features

Primary Product Material	Thermoplastic
Primary Product Color	Black

Operation/Application

Compatible With Connector Shell Size	11
Shielded	No

Dimensions

Cable Entry Diameter	12 mm [.453 in]
----------------------	-----------------

Mechanical Attachment

Thread Size	1/2-20 UNEF-2B
-------------	----------------

Packaging Features

Packaging Method	Individual
Packaging Quantity	1



Other

EU RoHS Compliance	Compliant
EU ELV Compliance	Compliant

Housing Features

Compatible With Connector Shape	Circular
Body Orientation	Straight

Product Compliance

[For compliance documentation, visit the product page on TE.com>](#)

EU RoHS Directive 2011/65/EU	Compliant
EU ELV Directive 2000/53/EC	Compliant
China RoHS 2 Directive MIIT Order No 32, 2016	No Restricted Materials Above Threshold
EU REACH Regulation (EC) No. 1907/2006	Current ECHA Candidate List: JUNE 2024 (241) Candidate List Declared Against: JUNE 2024 (241) Does not contain REACH SVHC
Halogen Content	BFR/CFR/PVC Free, but Br/Cl >900 ppm in other sources.
Solder Process Capability	Not reviewed for solder process capability

Product Compliance Disclaimer

This information is provided based on reasonable inquiry of our suppliers and represents our current actual knowledge based on the information they provided. This information is subject to change. The part numbers that TE has identified as EU RoHS compliant have a maximum concentration of 0.1% by weight in homogenous materials for lead, hexavalent chromium, mercury, PBB, PBDE, DBP, BBP, DEHP, DIBP, and 0.01% for cadmium, or qualify for an exemption to these limits as defined in the Annexes of Directive 2011/65/EU (RoHS2). Finished electrical and electronic equipment products will be CE marked as required by Directive 2011/65/EU. Components may not be CE marked. Additionally, the part numbers that TE has identified as EU ELV compliant have a maximum concentration of 0.1% by weight in homogenous materials for lead, hexavalent chromium, and mercury, and 0.01% for cadmium, or qualify for an exemption to these limits as defined in the Annexes of Directive 2000/53/EC (ELV). Regarding the REACH Regulation, the information TE provides on SVHC in articles for this part number is based on the latest European Chemicals Agency (ECHA) 'Guidance on requirements for substances in articles' posted at this URL: <https://echa.europa.eu/guidance-documents/guidance-on-reach>

Compatible Parts



TE Part # 1445817-1
PLUG,11-8,SM INS,STD KEY

Also in the Series | AMP CPC



Circular Power Connectors(423)



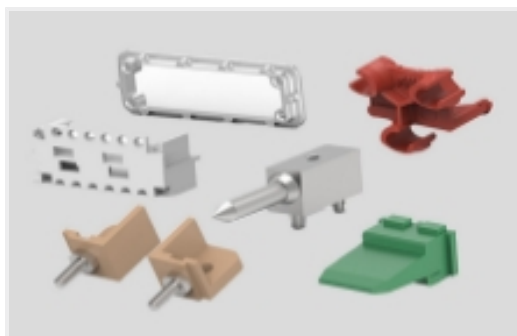
Connector Backshells(1)



Connector Caps & Covers(16)



Connector Contacts(6)



Connector Hardware(12)



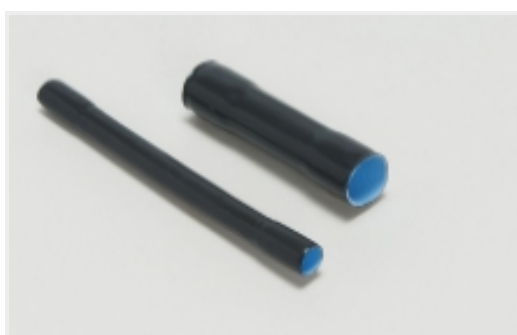
Connector Seals & Cavity Plugs(35)



Connector Strain Relief(60)

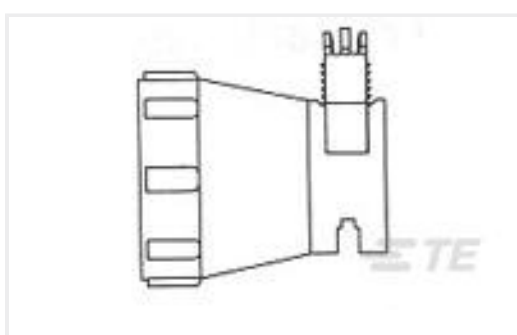


Insertion & Extraction Tools(1)

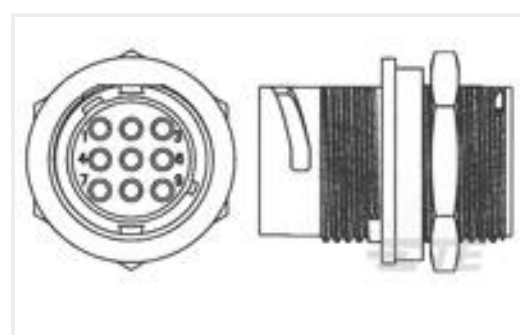


Sealing Sleeves(2)

Customers Also Bought



TE Part #1445730-1
STRN RELIEF ASY,STRT SIZE 8



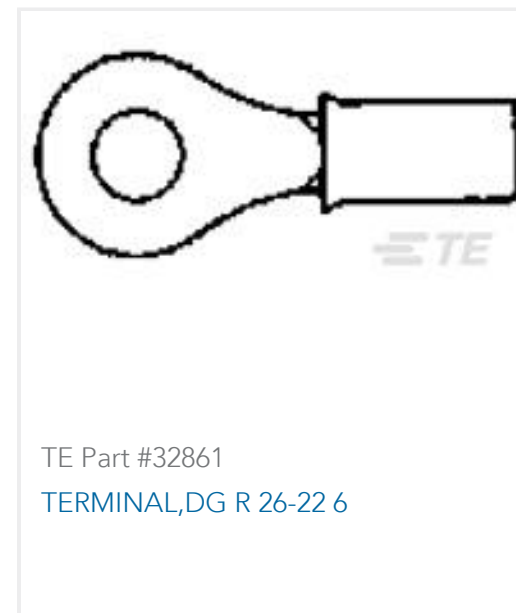
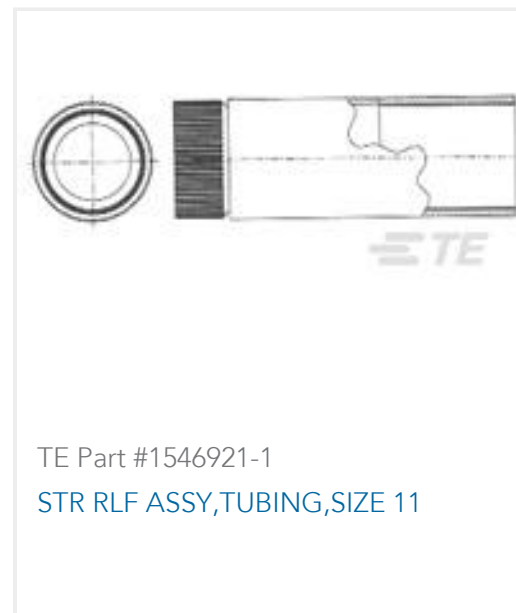
TE Part #1445816-1
RECP,11-9,FLNG MT,STD KEY



TE Part #1-770901-0
MINI UMNL PIN 26-22 AWG AU LF



TE Part #1445807-1
PLUG,11-9,SM INS,STD KEY



Documents

Product Drawings

[STR RELIEF ASY,STRAIGHT SZ 11](#)

English

CAD Files

[3D PDF](#)

English

Customer View Model

[ENG_CVM_1445856-1_A.2d_dxf.zip](#)

English

Customer View Model

[ENG_CVM_1445856-1_A.3d_igs.zip](#)

English

Customer View Model

[ENG_CVM_1445856-1_A.3d_stp.zip](#)

English

[3D PDF](#)

3D

Customer View Model

[ENG_CVM_CVM_1445856-1_B.2d_dxf.zip](#)

English

Customer View Model

[ENG_CVM_CVM_1445856-1_B.3d_igs.zip](#)

English

Customer View Model

[ENG_CVM_CVM_1445856-1_B.3d_stp.zip](#)

English

By downloading the CAD file I accept and agree to the [Terms and Conditions](#) of use.

Datasheets & Catalog Pages

[1-1773902-9_CPC_Catalog](#)

English

[1-1773902-9_CPC_Catalog](#)

[1-1773902-9_CPC_Catalog](#)

German



[1-1773902-9_CPC_Catalog](#)

Japanese

[AMP Circular Connectors for Commercial Signal & Power Applications Continued](#)

English

[Product Specifications](#)

[Application Specification](#)

English