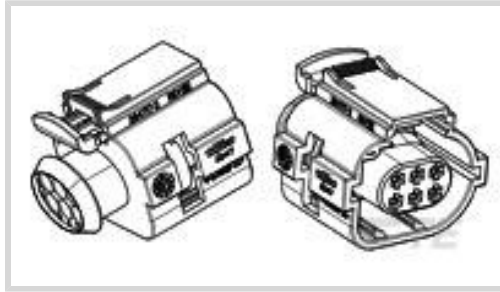




Connectors > Automotive Connectors > Automotive Housings > Timer Connector Housing



Connector System: **Wire-to-Wire**

Number of Positions: **6**

Connector & Housing Type: **Housing for Female Terminals**

Centerline (Pitch): **4 mm [.157 in]**

Sealable: **Yes**

[All Timer Connector Housing \(497\)](#)

## Features

### Product Type Features

Connector System	Wire-to-Wire
Connector & Housing Type	Housing for Female Terminals
Sealable	Yes
Connector & Contact Terminates To	Wire & Cable
Primary Locking Feature	On the Terminal
Mixed & Hybrid Connector	No
Connector Shape	Rectangular

### Configuration Features

Number of Positions	6
Number of Rows	2

### Housing Features

Centerline (Pitch)	4 mm [.157 in]
Housing Material	PA GF

### Contact Features

Mating Tab Width	1.6 mm [.062 in]
Contact Current Rating (Max)	10 A
Contact Size	1.6mm



Contact Type

Receptacle

### Body Features

Primary Product Color

Brown

Cable Exit Angle

180°

### Operation/Application

Circuit Application

Signal

### Mechanical Attachment

Connector Mounting Type

Cable Mount (Free-Hanging)

Strain Relief

Without

Terminal Position Assurance

Yes

Mating Alignment Type

Polarized

Mating Alignment

With

### Usage Conditions

Operating Temperature (Max)

140 °C[284 °F]

Operating Temperature Range

-40 – 140 °C[-40 – 284 °F]

### Electrical Characteristics

Nominal Voltage Architecture

24 V, 12 V

Operating Voltage

24 VDC

### Other

Connector Position Assurance Capable

Yes

EU RoHS Compliance

Compliant

EU ELV Compliance

Compliant

Serviceable

Yes

### Dimensions

Row-to-Row Spacing

5 mm[.197 in]

Product Width

24.2 mm[.953 in]

Product Length

29.4 mm[1.157 in]

Connector Height

30.3 mm[1.193 in]

### Packaging Features

Packaging Method

Bag

## Product Compliance



[For compliance documentation, visit the product page on TE.com>](#)

EU RoHS Directive 2011/65/EU	Compliant
EU ELV Directive 2000/53/EC	Compliant
China RoHS 2 Directive MIIT Order No 32, 2016	No Restricted Materials Above Threshold
EU REACH Regulation (EC) No. 1907/2006	Current ECHA Candidate List: JUNE 2024 (241) Candidate List Declared Against: JUNE 2024 (241) Does not contain REACH SVHC
Halogen Content	BFR/CFR/PVC Free, but Br/Cl >900 ppm in other sources.
Solder Process Capability	Not applicable for solder process capability

Product Compliance Disclaimer

This information is provided based on reasonable inquiry of our suppliers and represents our current actual knowledge based on the information they provided. This information is subject to change. The part numbers that TE has identified as EU RoHS compliant have a maximum concentration of 0.1% by weight in homogenous materials for lead, hexavalent chromium, mercury, PBB, PBDE, DBP, BBP, DEHP, DIBP, and 0.01% for cadmium, or qualify for an exemption to these limits as defined in the Annexes of Directive 2011/65/EU (RoHS2). Finished electrical and electronic equipment products will be CE marked as required by Directive 2011/65/EU. Components may not be CE marked. Additionally, the part numbers that TE has identified as EU ELV compliant have a maximum concentration of 0.1% by weight in homogenous materials for lead, hexavalent chromium, and mercury, and 0.01% for cadmium, or qualify for an exemption to these limits as defined in the Annexes of Directive 2000/53/EC (ELV). Regarding the REACH Regulation, the information TE provides on SVHC in articles for this part number is based on the latest European Chemicals Agency (ECHA) 'Guidance on requirements for substances in articles' posted at this URL: <https://echa.europa.eu/guidance-documents/guidance-on-reach>

## Compatible Parts



TE Part # 963531-1  
BLINDSTOPFEN



TE Part # 963530-1  
EINZELLEITERDICHTNG



TE Part # 964972-1  
EINZELLEITERDICHTNG

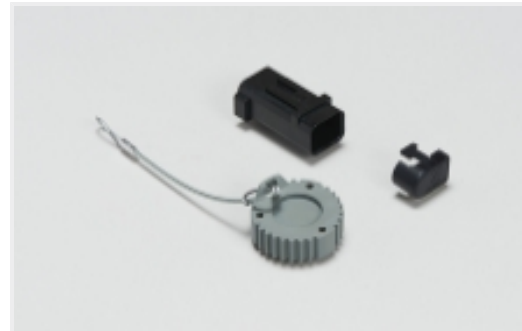


TE Part # CAT-T4827-T273  
TIMER, RECEPTACLE AND TAB

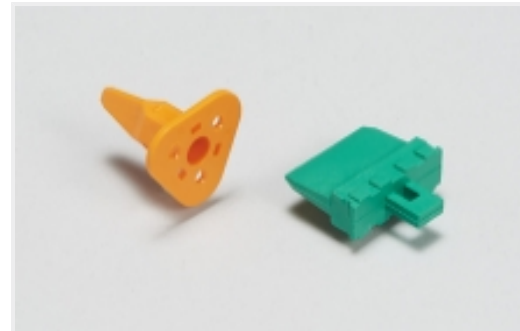


TE Part # 2324104-1  
6 POSITIONS E.G.R. WIRE TO WIRE  
HSG ASSY

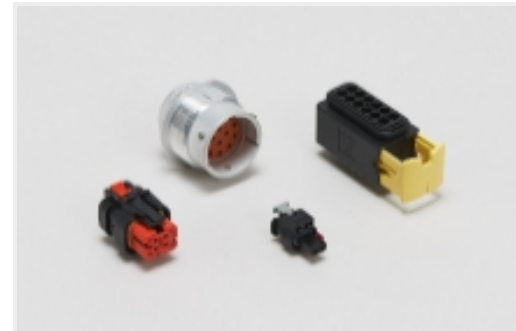
## Also in the Series | Micro Timer II



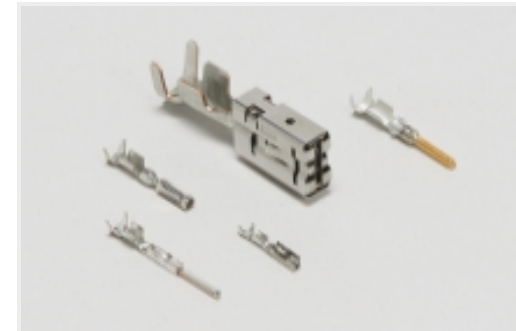
Automotive Connector Caps & Covers (1)



Automotive Connector Locks & Position Assurance(1)



Automotive Housings(36)



Automotive Terminals(33)

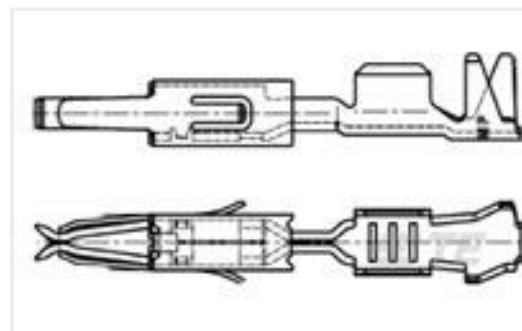


Connector Seals & Cavity Plugs(1)



Insertion & Extraction Tools(4)

## Customers Also Bought



TE Part #964274-3  
MT2 A REC 1.6 Contact SWS Au



TE Part #2388280-6  
SLIDE,TAB HSG ASSY,GROUP E



TE Part #1703768-3  
14POS,AMP MCP1.5K,SOCK HSG, ASSY



TE Part #1813344-1  
7p 1.5mm socket housing assy' coding A



TE Part #1-1801175-6  
2W RECEPTACLE HP CONNECTOR BROWN



TE Part #1-2208720-1  
105POS,MCON 1.2 CB,REC HSG, ASSY,SLD



TE Part #2050049-1  
3POS 2.8MM SENSOR PLUG ASSY



TE Part #284818-2  
1 WAYS CONNECTOR F.GLOW PLUG - RED VERS.



TE Part #2103212-9  
Plug Assembly, 250A, MSD



TE Part #2137755-1  
Tilted cover for 94P ECU connector



## Documents

### Product Drawings

[6 POS REC. CONNECTOR FOR MTII](#)

English

---

### CAD Files

[3D PDF](#)

3D

Customer View Model

[ENG\\_CVM\\_CVM\\_284716-3\\_D.2d\\_dxf.zip](#)

English

Customer View Model

[ENG\\_CVM\\_CVM\\_284716-3\\_D.3d\\_igs.zip](#)

English

Customer View Model

[ENG\\_CVM\\_CVM\\_284716-3\\_D.3d\\_stp.zip](#)

English

By downloading the CAD file I accept and agree to the [Terms and Conditions](#) of use.

---

### Product Specifications

[Product Specification](#)

English

---

### Instruction Sheets

[Instruction Sheet \(non U.S.\)](#)

English