



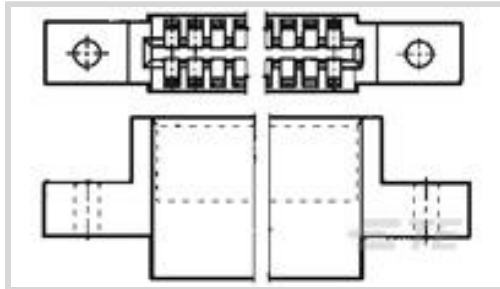
AMP | AMP 100CL

TE Internal #: 583861-7

Housing, Receptacle, Wire-to-Board, 10 Position, 2.54 mm [.1 in]
Centerline, Crimp, 2 Row, Black, Mating Retention, Printed Circuit Board, AMP 100CL

[View on TE.com >](#)

Connectors > PCB Connectors > Wire-to-Board Connectors > Wire-to-Board Connector Assemblies & Housings



Connector Product Type: **Housing**

Connector & Housing Type: **Receptacle**

Connector System: **Wire-to-Board**

Number of Positions: **10**

Centerline (Pitch): **2.54 mm [.1 in]**

Features

Dimensions

	1.83 in
--	---------

Product Type Features

Connector Product Type	Housing
Connector & Housing Type	Receptacle
Connector System	Wire-to-Board
Connector & Contact Terminates To	Printed Circuit Board

Configuration Features

Number of Positions	10
Number of Rows	2
Number of Dual Positions	10

Housing Features

Centerline (Pitch)	2.54 mm [.1 in]
Housing Material	Polyester GF

Termination Features

Termination Method to Wire & Cable	Crimp
------------------------------------	-------

Body Features

Primary Product Color	Black
-----------------------	-------



Mechanical Attachment

Mating Retention	With
Connector Mounting Type	Board Mount
Panel Mount Feature Type	Mounting Ears
Strain Relief	Without

Contact Features

Contact Current Rating (Max)	5 A
------------------------------	-----

Operation/Application

Circuit Application	Power & Signal
---------------------	----------------

Usage Conditions

Operating Temperature Range	-55 – 105 °C[-67 – 221 °F]
-----------------------------	----------------------------

Other

EU RoHS Compliance	Compliant
EU ELV Compliance	Compliant

Industry Standards

UL Flammability Rating	UL 94V-0
Glow Wire Rating	Standard Part - Not Glow Wire

Packaging Features

Packaging Method	Box
Packaging Quantity	400

Product Compliance

[For compliance documentation, visit the product page on TE.com>](#)

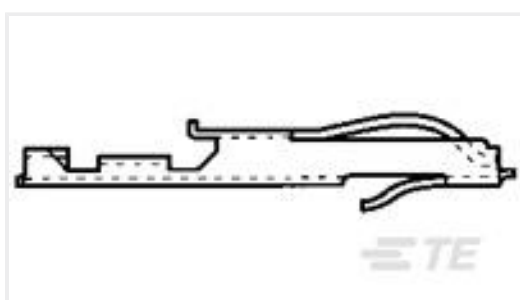
EU RoHS Directive 2011/65/EU	Compliant
EU ELV Directive 2000/53/EC	Compliant
China RoHS 2 Directive MIIT Order No 32, 2016	No Restricted Materials Above Threshold
EU REACH Regulation (EC) No. 1907/2006	Current ECHA Candidate List: JUNE 2024 (241) Candidate List Declared Against: JUNE 2024 (241) Does not contain REACH SVHC
Halogen Content	Not Low Halogen - contains Br or Cl > 900 ppm.
Solder Process Capability	Not applicable for solder process capability



Product Compliance Disclaimer

This information is provided based on reasonable inquiry of our suppliers and represents our current actual knowledge based on the information they provided. This information is subject to change. The part numbers that TE has identified as EU RoHS compliant have a maximum concentration of 0.1% by weight in homogenous materials for lead, hexavalent chromium, mercury, PBB, PBDE, DBP, BBP, DEHP, DIBP, and 0.01% for cadmium, or qualify for an exemption to these limits as defined in the Annexes of Directive 2011/65/EU (RoHS2). Finished electrical and electronic equipment products will be CE marked as required by Directive 2011/65/EU. Components may not be CE marked. Additionally, the part numbers that TE has identified as EU ELV compliant have a maximum concentration of 0.1% by weight in homogenous materials for lead, hexavalent chromium, and mercury, and 0.01% for cadmium, or qualify for an exemption to these limits as defined in the Annexes of Directive 2000/53/EC (ELV). Regarding the REACH Regulation, the information TE provides on SVHC in articles for this part number is based on the latest European Chemicals Agency (ECHA) 'Guidance on requirements for substances in articles' posted at this URL: <https://echa.europa.eu/guidance-documents/guidance-on-reach>

Compatible Parts



TE Part # 583857-7
TWIN LEAF L.P. TERM.



TE Part # 2-583861-9
20 D/P CSTL HOUSING 100 C/L

Also in the Series | AMP 100CL



Wire-to-Board Connector Assemblies
& Housings(1)

Customers Also Bought



TE Part #204505-1
AMPLIMITE,ASY,PLUG,STD,90,3



TE Part #61588-1
RING 22-16 AWG TPBR



TE Part #2238027-4
250 FASTON,REC.,22-18 AWG,TPBR



TE Part #5645235-3
CONN SEC II 50 POS 100C/L



TE Part #2232327-1
CLUSTER BLOCK HSG .090 DIA



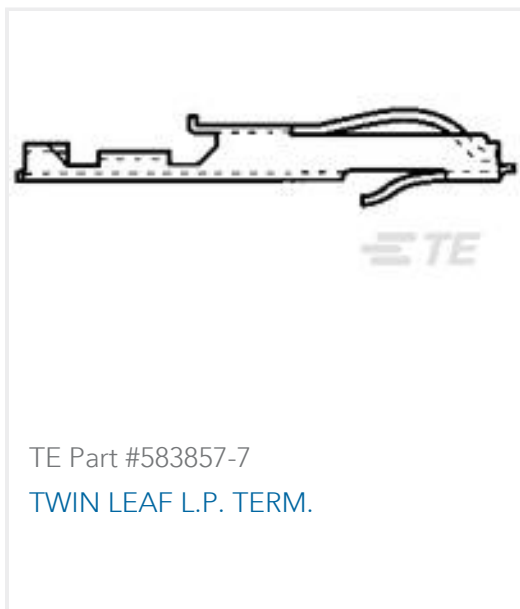
TE Part #204509-1
AMPLIMITE,ASY,PLUG,STD,90,5



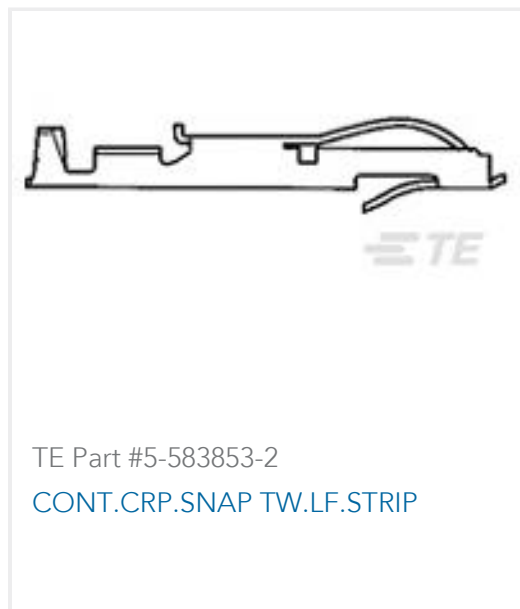
TE Part #521120-7
PL 250 HOUSING RECEPTACLE
NYLON 6/6



TE Part #2232326-2
CLUSTER BLOCK HSG .090 DIA



TE Part #583857-7
TWIN LEAF L.P. TERM.



TE Part #5-583853-2
CONT.CRP.SNAP TW.LF.STRIP

Documents

Product Drawings

[10 POS. TWIN LEAF 100 C/L](#)

English

CAD Files

Customer View Model

[ENG_CVM_CVM_583861-7_AK.2d_dxf.zip](#)

English

[3D PDF](#)

3D

Customer View Model

[ENG_CVM_CVM_583861-7_AK.3d_igs.zip](#)

English

Customer View Model

[ENG_CVM_CVM_583861-7_AK.3d_stp.zip](#)

English

By downloading the CAD file I accept and agree to the [Terms and Conditions](#) of use.

Product Specifications

[Product Specification](#)

English

[Product Specification](#)

English

Instruction Sheets

[Instruction Sheet \(U.S.\)](#)

English

583861-7

Housing, Receptacle, Wire-to-Board, 10 Position, 2.54 mm [.1 in] Centerline, Crimp, 2 Row, Black, Mating Retention, Printed Circuit Board, AMP 100CL



Agency Approvals

UL

English