

1-180908-0 ✓ ACTIVE

FASTIN-FASTON | FASTIN-FASTON 250

TE Internal #: 1-180908-0

Tab, Tab Housing, 2 Position, Straight, Natural, Polyamide, Contact Mating Retention, Mating Alignment, FASTIN-FASTON 250, Crimp Terminal Housings

[View on TE.com >](#)



Terminals & Splices > Terminal Housings, Insulation Sleeves & Blocks > Crimp Terminal Housings



Terminal Type: **Tab**

Connector & Housing Type: **Tab Housing**

Number of Positions: **2**

Terminal Orientation: **Straight**

Primary Product Color: **Natural**

## Features

### Contact Features

Terminal Type	Tab
Terminal Orientation	Straight
Contact Mating Retention	With

### Product Type Features

Connector & Housing Type	Tab Housing
Connector & Contact Terminates To	Wire & Cable
Sealable	No

### Configuration Features

Number of Positions	2
---------------------	---

### Body Features

Primary Product Color	Natural
-----------------------	---------

### Housing Features

Housing Material	Polyamide
------------------	-----------

Centerline (Pitch)	7.4 mm[.291 in]
--------------------	-----------------

### Mechanical Attachment

Mating Alignment	With
Connector Mounting Type	Cable Mount (Free-Hanging)

### Packaging Features

Packaging Method	Carton
Packaging Quantity	3000

### Usage Conditions

Operating Temperature Range	-40 – 105 °C[-40 – 221 °F]
-----------------------------	----------------------------

### Other

EU RoHS Compliance	Compliant
EU ELV Compliance	Compliant

### Dimensions

Product Length	31.5 mm[1.24 in]
----------------	------------------

## Product Compliance

[For compliance documentation, visit the product page on TE.com>](#)

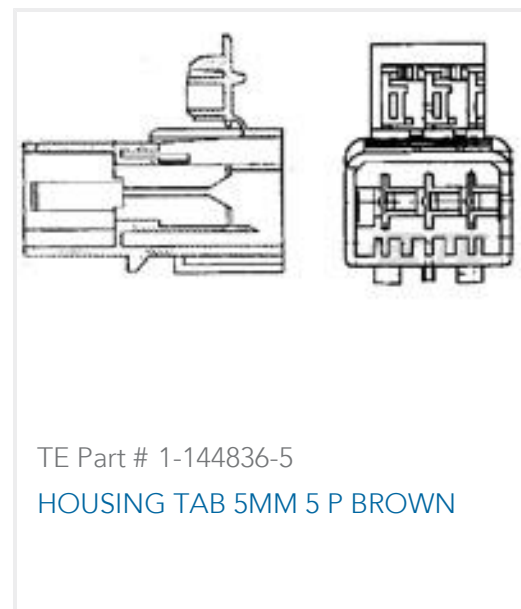
EU RoHS Directive 2011/65/EU	Compliant
EU ELV Directive 2000/53/EC	Compliant
China RoHS 2 Directive MIIT Order No 32, 2016	No Restricted Materials Above Threshold
EU REACH Regulation (EC) No. 1907/2006	Current ECHA Candidate List: JUNE 2024 (241) Candidate List Declared Against: JUNE 2024 (241) Does not contain REACH SVHC
Halogen Content	Low Halogen - Br, Cl, F, I < 900 ppm per homogenous material. Also BFR/CFR/PVC Free
Solder Process Capability	Not applicable for solder process capability

#### Product Compliance Disclaimer

This information is provided based on reasonable inquiry of our suppliers and represents our current actual knowledge based on the information they provided. This information is subject to change. The part numbers that TE has identified as EU RoHS compliant have a maximum concentration of 0.1% by weight in homogenous materials for lead, hexavalent chromium, mercury, PBB, PBDE, DBP, BBP, DEHP, DIBP, and 0.01% for cadmium, or qualify for an exemption to these limits as defined in the Annexes of Directive 2011/65/EU (RoHS2). Finished electrical and electronic equipment products will be CE marked as required by Directive 2011/65/EU. Components may not be CE marked. Additionally, the part numbers that TE has identified as EU ELV compliant have a maximum concentration of 0.1% by weight in homogenous materials for lead, hexavalent chromium, and mercury, and 0.01% for cadmium, or qualify for an exemption to these limits

as defined in the Annexes of Directive 2000/53/EC (ELV). Regarding the REACH Regulation, the information TE provides on SVHC in articles for this part number is based on the latest European Chemicals Agency (ECHA) 'Guidance on requirements for substances in articles' posted at this URL: <https://echa.europa.eu/guidance-documents/guidance-on-reach>

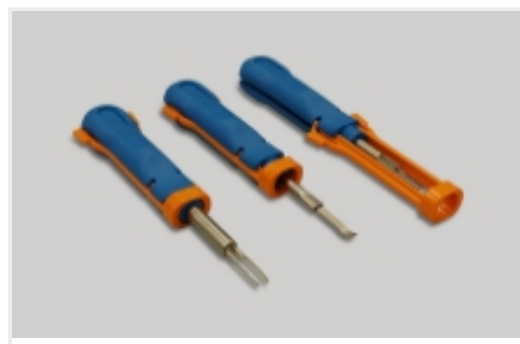
## Compatible Parts



## Also in the Series | FASTIN-FASTON 250



Crimp Terminal Housings(207)



Insertion & Extraction Tools(2)

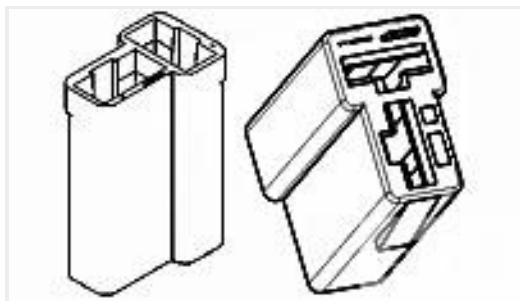


PCB Terminals(2)



Quick Disconnects(250)

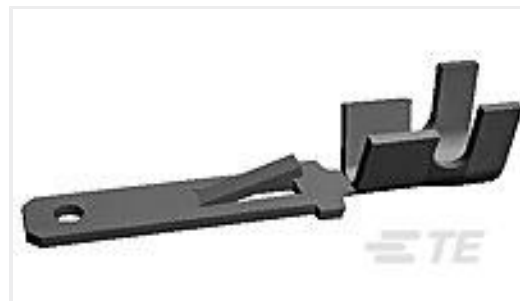
## Customers Also Bought



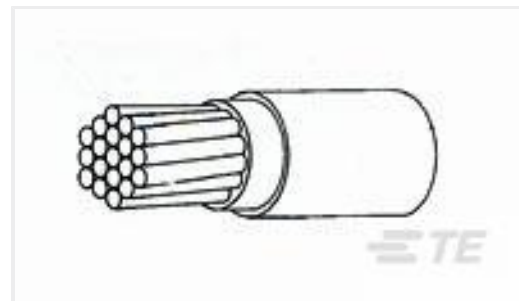
TE Part #180907  
FF 250 REC HSG 2P NYLON NAT



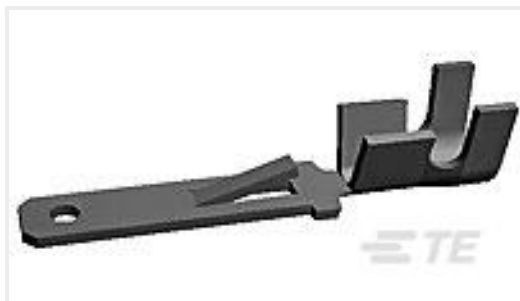
TE Part #160102-2  
RING TONGUE WITH IS 20-16 0.0253 TPBR



TE Part #42460-2  
FF 250 TAB 18-14AWG TPBR



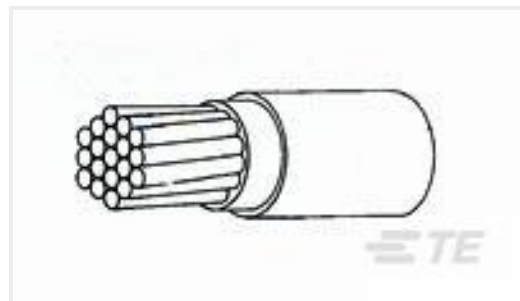
TE Part #2819023002  
44/7031-20-8



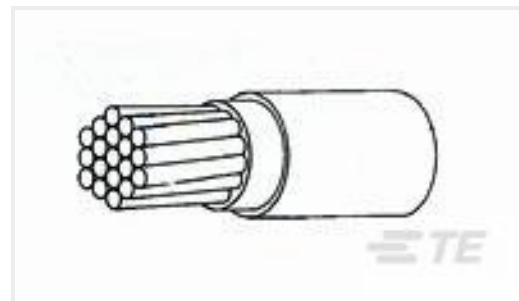
TE Part #280080-2  
FF 250 TAB TERMINAL 11-10 AWG PTPB



TE Part #1740205-2  
AMPMODU II CONTACT PIN, BENT, TIN



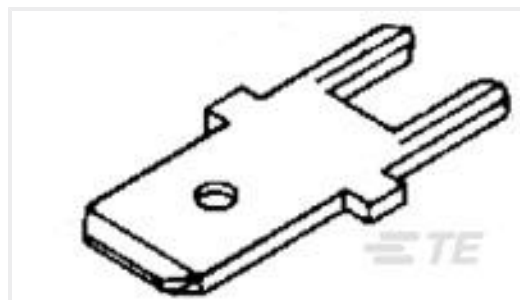
TE Part #2817373004  
44/7031-24-5



TE Part #2819643002  
44/7031-24-8



TE Part #926474-1  
FF 250 REC HSG 2P NYLON NAT



TE Part #1217956-1  
312 FASTON,PCB TAB,TCBR

## Documents

### Product Drawings

[FF 250 TAB HSG 2P NYLON NAT](#)

English

### CAD Files

Customer View Model

[ENG\\_CVM\\_CVM\\_1-180908-0\\_AB.2d\\_dxf.zip](#)

English

[3D PDF](#)



3D

Customer View Model

[ENG\\_CVM\\_CVM\\_1-180908-0\\_AB.3d\\_igs.zip](#)

English

Customer View Model

[ENG\\_CVM\\_CVM\\_1-180908-0\\_AB.3d\\_stp.zip](#)

English

By downloading the CAD file I accept and agree to the [Terms and Conditions](#) of use.

---

### Datasheets & Catalog Pages

[White Paper: Nylon Discoloration](#)

English

---

### Product Specifications

[Application Specification](#)

English

---

### Agency Approvals

[UL Report](#)

English