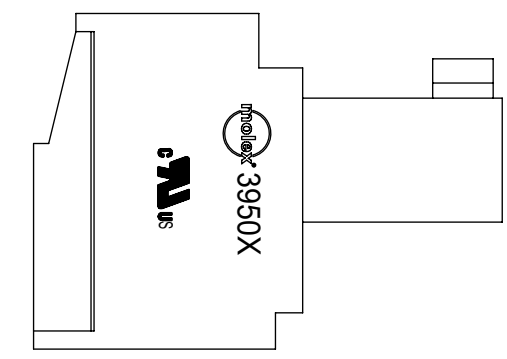


4 CIRCUIT SHOWN



**SPECIFICATIONS:**

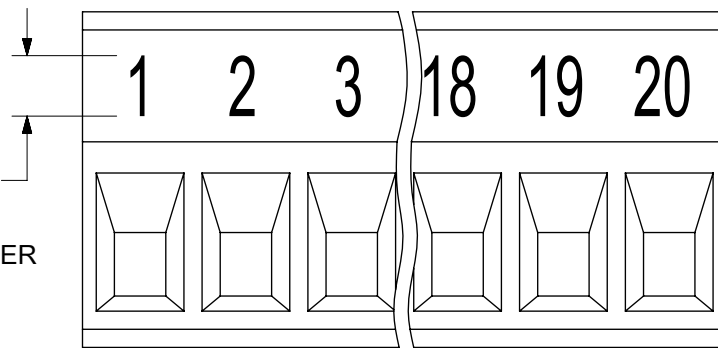
1. MATERIAL:
  - (1). SCREW: ZINC PLATED STEEL
  - (2). BODY: PA 66 (UL94-V0)
  - (3). TERMINAL: TIN PLATED PHOSPHOR BRONZE
  - (4). CAGE: NICKEL PLATED BRASS
  - (5). COVER: PA 66 (UL94-V0)
2. PRODUCT SPECIFICATION: PS-39500-001
3. WIRE RANGE: 30 - 16 AWG
4. TORQUE: 2 IN-LBS.
5. WIRE STRIP LENGTH: 6.50/.256
6. NUMBER OF CIRCUIT POSITIONS AVAILABLE = 2 THROUGH 20

TOLERANCES			
MM	TOL	INCH	TOL
0-6	±0.25	0-.24	±.010
>6-30	±0.40	>.24-1.18	±.016
>30-120	±0.50	>1.18-4.76	±.020
>120	±0.80	>4.76	±.031

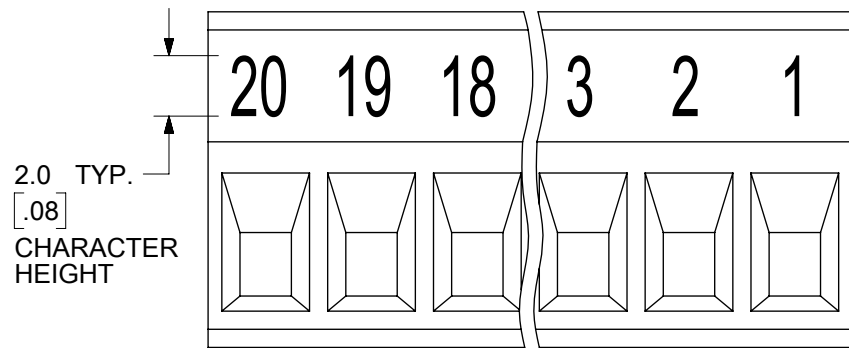
THIS DRAWING CONTAINS INFORMATION THAT IS PROPRIETARY TO MOLEX ELECTRONIC TECHNOLOGIES, LLC AND SHOULD NOT BE USED WITHOUT WRITTEN PERMISSION												
FUNCTIONAL SYMBOLS	FA = 0	MM/INCH	SCALE	4:1	CURRENT REV DESC: UPDATED MATERIAL/PLATING NOTES FOR ITEMS 1-5. UPDATED MOLEX LATEST TITLE BLOCK							
	EA = 0	GENERAL TOLERANCES (UNLESS SPECIFIED)			EC NO: 833839 DRWN: MARUTD 2025/08/29 CHKD: DACHAMMER 2025/09/10 APPR: HKNEELAND 2025/09/15 INITIAL REVISION: DRWN: LROTHAUS 2006/01/09 APPR: JPAWLICK 2006/01/10							
DIVISIONAL SYMBOLS	EA = 0	4 PLACES	±	---						±	---	<b>molex</b> 3.50MM, EURO TERM BLOCK RIGHT ANGLE, PLUG
		3 PLACES	±	---	±	SEE CHART	PRODUCT CUSTOMER DRAWING DOCUMENT NUMBER: SD-39500-001   DOC TYPE: PSD   DOC PART: 001   REVISION: D					
		2 PLACES	±	---	±	SEE CHART						
		1 PLACE	±	SEE CHART	±	---	MATERIAL NUMBER: SEE SHEET-2   CUSTOMER: GENERAL MARKET   SHEET NUMBER: 1 OF 2					
		0 PLACES	±	---	±	---						
		ANGULAR TOL		±	---	DRAFT WHERE APPLICABLE MUST REMAIN WITHIN DIMENSIONS						
		THIRD ANGLE PROJECTION		DRAWING		SERIES		SHEET NUMBER				
				B-SIZE		39500		1 OF 2				

CIRCUIT SIZE	MATERIAL NUMBERS												DIMENSIONAL INFORMATION			
	BLACK						GREEN									
	100% TIN			30 u" GOLD			100% TIN			30 u" GOLD			DIM. "A"		DIM. "B"	
	PRINTING OPTIONS			PRINTING OPTIONS			PRINTING OPTIONS			PRINTING OPTIONS			mm	inch	mm	inch
	None	10A	11A	None	10A	11A	None	10A	11A	None	10A	11A	mm	inch	mm	inch
2	39500002	395000102	395000202	395000502	395000602	395000702	395005002	395005102	395005202	395005502	395005602	395005702	7.80	.307	3.50	.138
3	39500003	395000103	395000203	395000503	395000603	395000703	395005003	395005103	395005203	395005503	395005603	395005703	11.30	.445	7.00	.276
4	39500004	395000104	395000204	395000504	395000604	395000704	395005004	395005104	395005204	395005504	395005604	395005704	14.80	.583	10.50	.413
5	39500005	395000105	395000205	395000505	395000605	395000705	395005005	395005105	395005205	395005505	395005605	395005705	18.30	.720	14.00	.551
6	39500006	395000106	395000206	395000506	395000606	395000706	395005006	395005106	395005206	395005506	395005606	395005706	21.80	.858	17.50	.689
7	39500007	395000107	395000207	395000507	395000607	395000707	395005007	395005107	395005207	395005507	395005607	395005707	25.30	.906	21.00	.827
8	39500008	395000108	395000208	395000508	395000608	395000708	395005008	395005108	395005208	395005508	395005608	395005708	28.80	1.134	24.50	.965
9	39500009	395000109	395000209	395000509	395000609	395000709	395005009	395005109	395005209	395005509	395005609	395005709	32.30	1.272	28.00	1.102
10	395000010	395000110	395000210	395000510	395000610	395000710	395005010	395005110	395005210	395005510	395005610	395005710	35.80	1.409	31.50	1.240
11	395000011	395000111	395000211	395000511	395000611	395000711	395005011	395005111	395005211	395005511	395005611	395005711	39.30	1.547	35.00	1.378
12	395000012	395000112	395000212	395000512	395000612	395000712	395005012	395005112	395005212	395005512	395005612	395005712	42.80	1.685	38.50	1.516
13	395000013	395000113	395000213	395000513	395000613	395000713	395005013	395005113	395005213	395005513	395005613	395005713	46.30	1.823	42.00	1.654
14	395000014	395000114	395000214	395000514	395000614	395000714	395005014	395005114	395005214	395005514	395005614	395005714	49.80	1.961	45.50	1.791
15	395000015	395000115	395000215	395000515	395000615	395000715	395005015	395005115	395005215	395005515	395005615	395005715	53.30	2.098	49.00	1.929
16	395000016	395000116	395000216	395000516	395000616	395000716	395005016	395005116	395005216	395005516	395005616	395005716	56.80	2.236	52.50	2.067
17	395000017	395000117	395000217	395000517	395000617	395000717	395005017	395005117	395005217	395005517	395005617	395005717	60.30	2.347	56.00	2.205
18	395000018	395000118	395000218	395000518	395000618	395000718	395005018	395005118	395005218	395005518	395005618	395005718	63.80	2.512	59.50	2.343
19	395000019	395000119	395000219	395000519	395000619	395000719	395005019	395005119	395005219	395005519	395005619	395005719	67.30	2.650	63.00	2.480
20	395000020	395000120	395000220	395000520	395000620	395000720	395005020	395005120	395005220	395005520	395005620	395005720	70.80	2.787	66.50	2.618

TOLERANCES			
MM	TOL	INCH	TOL
0-6	±0.25	0-.24	±.010
>6-30	±0.40	>.24-1.18	±.016
>30-120	±0.50	>1.18-4.76	±.020
>120	±0.80	>4.76	±.031



10A IMPRINTING



11A IMPRINTING

THIS DRAWING CONTAINS INFORMATION THAT IS PROPRIETARY TO MOLEX ELECTRONIC TECHNOLOGIES, LLC AND SHOULD NOT BE USED WITHOUT WRITTEN PERMISSION											
FUNCTIONAL SYMBOLS	DIMENSION UNITS	SCALE	CURRENT REV DESC: UPDATED MATERIAL/PLATING NOTES FOR ITEMS 1-5. UPDATED MOLEX LATEST TITLE BLOCK								
$\nabla_A = 0$	MM/INCH	4:1	<b>molex</b> 3.50MM, EURO TERM BLOCK RIGHT ANGLE, PLUG								
$\nabla_E = 0$	GENERAL TOLERANCES (UNLESS SPECIFIED)										
$\nabla_F = 0$			MM		INCH		EC NO: 833839		2025/08/29		
	4 PLACES	±	---	±	---	DRWN: MARUTD		2025/09/10			
	3 PLACES	±	---	±	---	CHKD: DACHAMMER		2025/09/15			
	2 PLACES	±	---	±	---	APPR: HKNEELAND					
	1 PLACE	±	---	±	---	INITIAL REVISION:					
	0 PLACES	±	---	±	---	DRWN: LROTHAUS		2006/01/09			
	ANGULAR TOL	±	---	±	---	APPR: JPAWLICK		2006/01/10			
DRAFT WHERE APPLICABLE MUST REMAIN WITHIN DIMENSIONS			THIRD ANGLE PROJECTION			DRAWING		SERIES		MATERIAL NUMBER	
			B-SIZE			39500		SEE CHART		CUSTOMER	
						GENERAL MARKET		SHEET NUMBER		2 OF 2	