

172501-1 ✓ ACTIVE

AMP | Mark II

TE Internal #: 172501-1

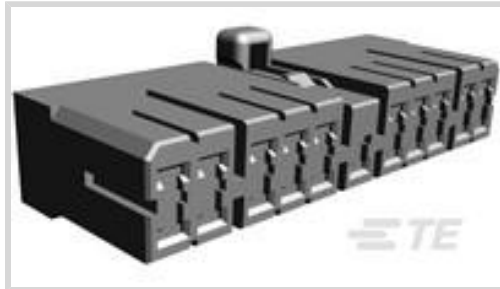
Housing for Female Terminals, Wire-to-Board / Wire-to-Device /
Wire-to-Wire, 21 Position, 5 mm / 7 mm [.197 in / .276 in]

Centerline, Natural, Mark II

[View on TE.com >](#)



Connectors > Automotive Connectors > Automotive Housings



Connector System: **Wire-to-Board, Wire-to-Device, Wire-to-Wire**

Number of Positions: **21**

Connector & Housing Type: **Housing for Female Terminals**

Centerline (Pitch): **7 mm, 5 mm [.276 in, .197 in]**

Sealable: **No**

Features

Product Type Features

Connector System	Wire-to-Board, Wire-to-Device, Wire-to-Wire
Connector & Housing Type	Housing for Female Terminals
Sealable	No
Primary Locking Feature	Integrated in Housing
Mixed & Hybrid Connector	No
Connector Shape	Rectangular

Configuration Features

Number of Positions	21
Number of Rows	2

Housing Features

Centerline (Pitch)	7 mm, 5 mm [.276 in][.197 in]
Housing Material	PA

Contact Features

Mating Tab Width	3 mm [.118 in]
Contact Size	3mm
Contact Type	Receptacle

Body Features



Primary Product Color	Natural
-----------------------	---------

Cable Exit Angle	180°
------------------	------

Operation/Application

Circuit Application	Signal
---------------------	--------

Mechanical Attachment

Connector Mounting Type	Cable Mount (Free-Hanging)
-------------------------	----------------------------

Strain Relief	Without
---------------	---------

Terminal Position Assurance	No
-----------------------------	----

Mating Alignment Type	Polarized
-----------------------	-----------

Mating Alignment	With
------------------	------

Usage Conditions

Operating Temperature (Max)	80 °C, 105 °C, 100 °C, 90 °C, 85 °C, 75 °C, 70 °C[221 °F][167 °F][158 °F][176 °F][194 °F] [185 °F][212 °F]
-----------------------------	--

Operating Temperature Range	-30 – 105 °C[-22 – 221 °F]
-----------------------------	----------------------------

Electrical Characteristics

Nominal Voltage Architecture	12 V
------------------------------	------

Operating Voltage	12 VDC
-------------------	--------

Other

Connector Position Assurance Capable	No
--------------------------------------	----

EU RoHS Compliance	Compliant
--------------------	-----------

EU ELV Compliance	Compliant
-------------------	-----------

Serviceable	Yes
-------------	-----

Dimensions

Row-to-Row Spacing	6.2 mm, 3.1 mm[.122 in][.244 in]
--------------------	----------------------------------

Product Width	64 mm[2.52 in]
---------------	----------------

Product Length	24 mm[.945 in]
----------------	----------------

Connector Height	14.5 mm[.571 in]
------------------	------------------

Industry Standards

UL Flammability Rating	UL 94V-2
------------------------	----------

Packaging Features

Packaging Method	Bag & Box
------------------	-----------

Product Compliance

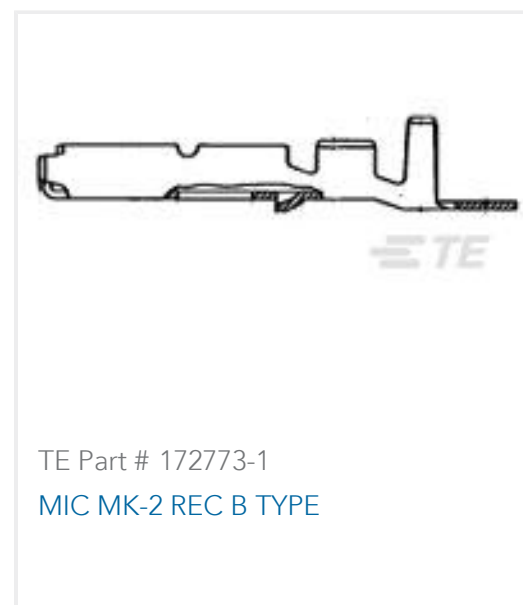
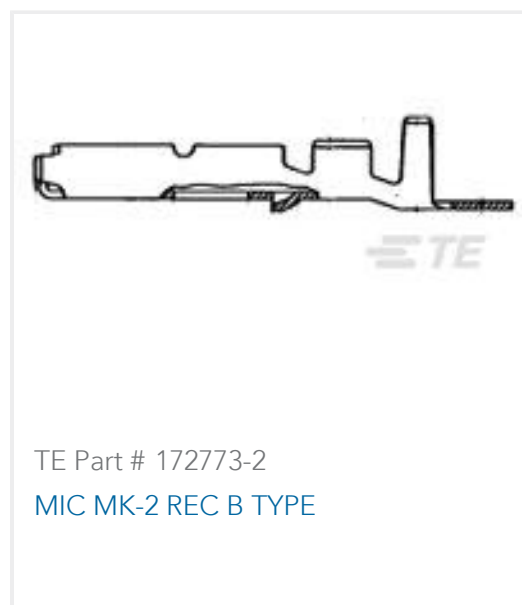
[For compliance documentation, visit the product page on TE.com>](#)

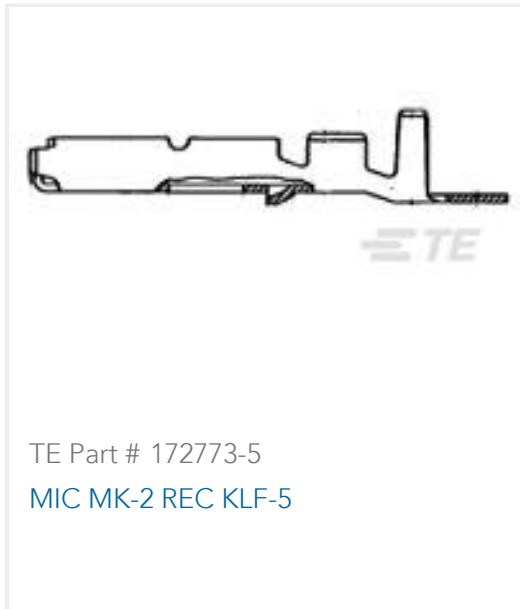
EU RoHS Directive 2011/65/EU	Compliant
EU ELV Directive 2000/53/EC	Compliant
China RoHS 2 Directive MIIT Order No 32, 2016	No Restricted Materials Above Threshold
EU REACH Regulation (EC) No. 1907/2006	Current ECHA Candidate List: JUNE 2024 (241) Candidate List Declared Against: JUNE 2024 (241) Does not contain REACH SVHC
Halogen Content	Low Halogen - Br, Cl, F, I < 900 ppm per homogenous material. Also BFR/CFR/PVC Free
Solder Process Capability	Not applicable for solder process capability

Product Compliance Disclaimer

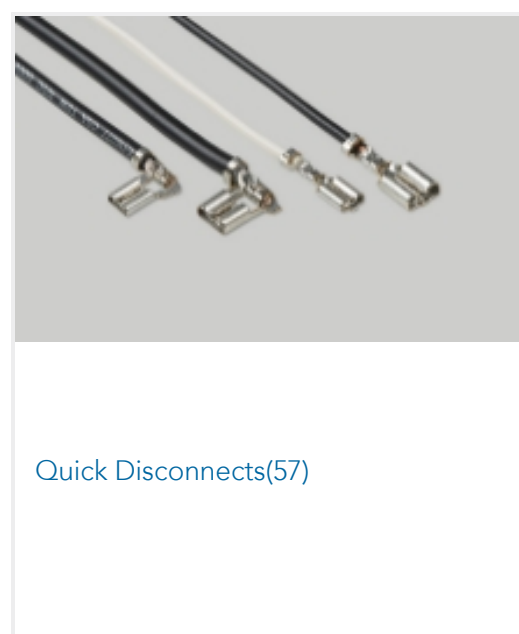
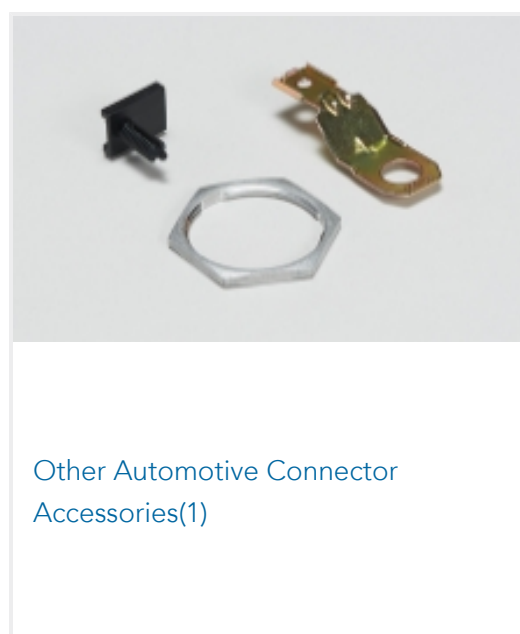
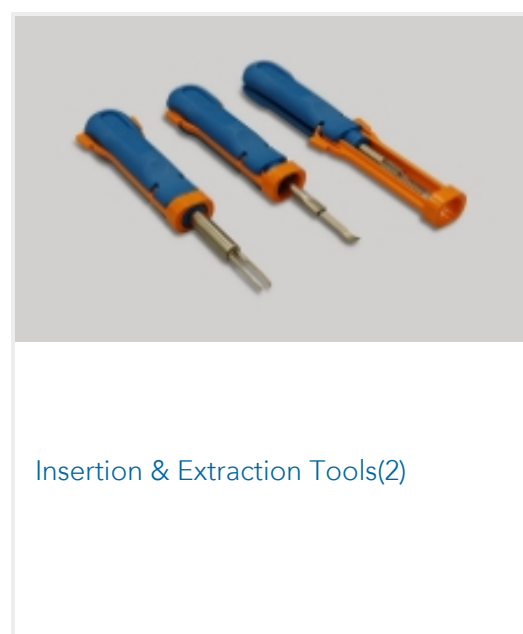
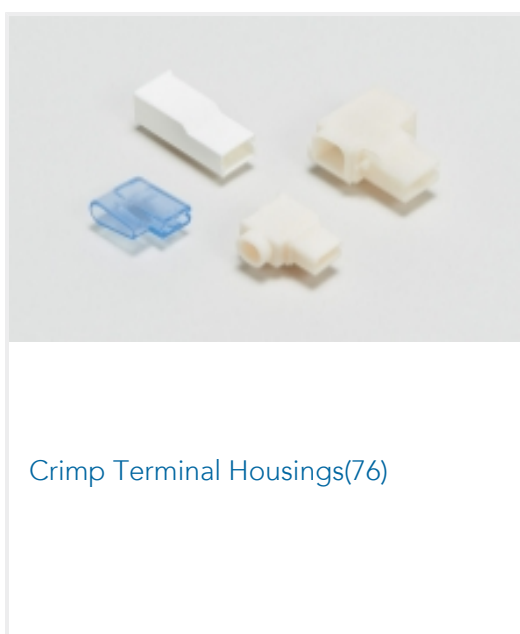
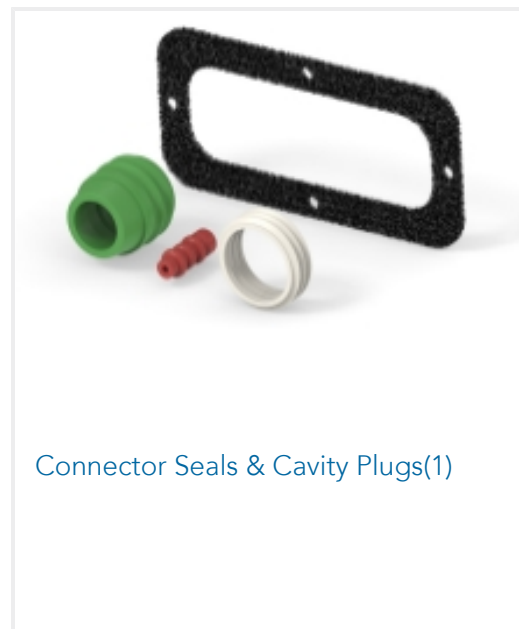
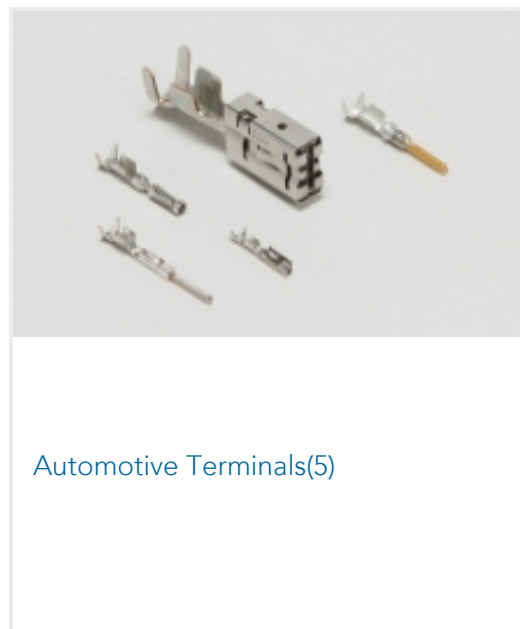
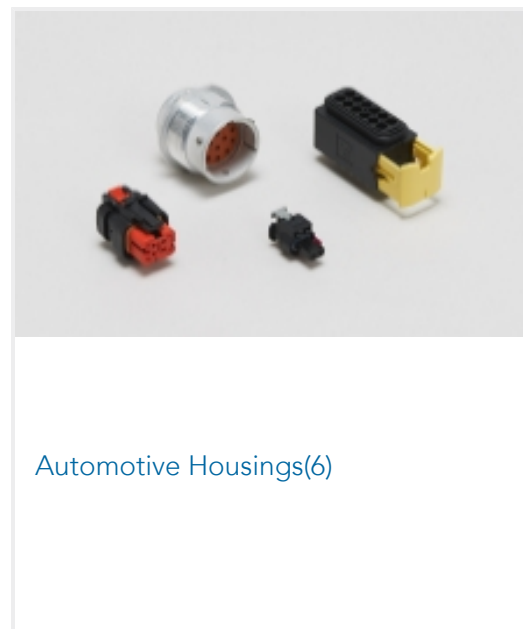
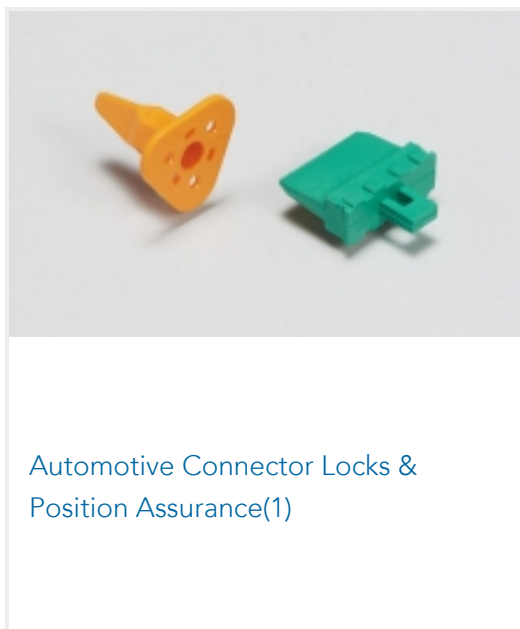
This information is provided based on reasonable inquiry of our suppliers and represents our current actual knowledge based on the information they provided. This information is subject to change. The part numbers that TE has identified as EU RoHS compliant have a maximum concentration of 0.1% by weight in homogenous materials for lead, hexavalent chromium, mercury, PBB, PBDE, DBP, BBP, DEHP, DIBP, and 0.01% for cadmium, or qualify for an exemption to these limits as defined in the Annexes of Directive 2011/65/EU (RoHS2). Finished electrical and electronic equipment products will be CE marked as required by Directive 2011/65/EU. Components may not be CE marked. Additionally, the part numbers that TE has identified as EU ELV compliant have a maximum concentration of 0.1% by weight in homogenous materials for lead, hexavalent chromium, and mercury, and 0.01% for cadmium, or qualify for an exemption to these limits as defined in the Annexes of Directive 2000/53/EC (ELV). Regarding the REACH Regulation, the information TE provides on SVHC in articles for this part number is based on the latest European Chemicals Agency (ECHA) 'Guidance on requirements for substances in articles' posted at this URL: <https://echa.europa.eu/guidance-documents/guidance-on-reach>

Compatible Parts



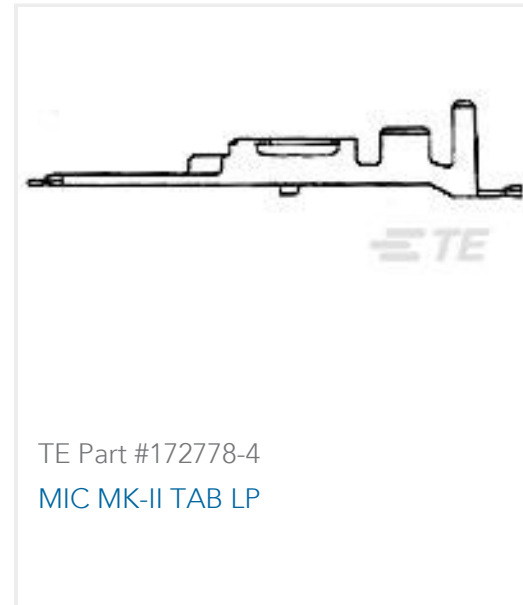
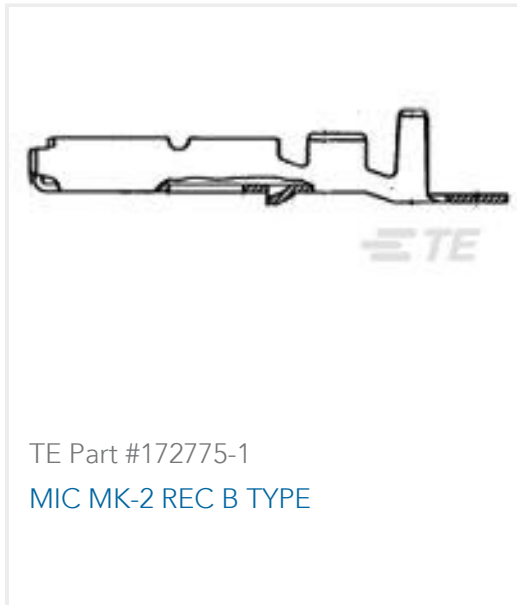
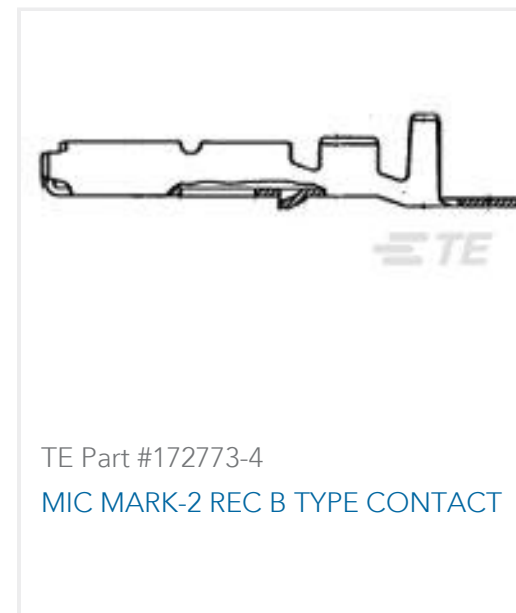


Also in the Series | **Mark II**



Customers Also Bought





Documents

Product Drawings

MIC MARK-2 PLUG HSG 21P

English

CAD Files

Customer View Model

[ENG_CVM_172501-1_O.3d_igs.zip](#)

English

Customer View Model

[ENG_CVM_172501-1_O.3d_stp.zip](#)

English

Customer View Model

[ENG_CVM_172501-1_O.2d_dxf.zip](#)

English

3D PDF

English

By downloading the CAD file I accept and agree to the [Terms and Conditions](#) of use.

Product Specifications

Multi-Interlock Mark II Connector for Wire to Board Termination

English

Product Specification

English

Product Specification

English

Multi-Interlock Mark II Connector for Wire to Wire Termination

English



Instruction Sheets

[Multi Interlock Connector Mark II](#)

English

[Customer Manual \(non U.S.\)](#)

English

Agency Approvals

[Agency Approval Document](#)

English