

1-55323-0 ✓ ACTIVE

AMP POWER TAP

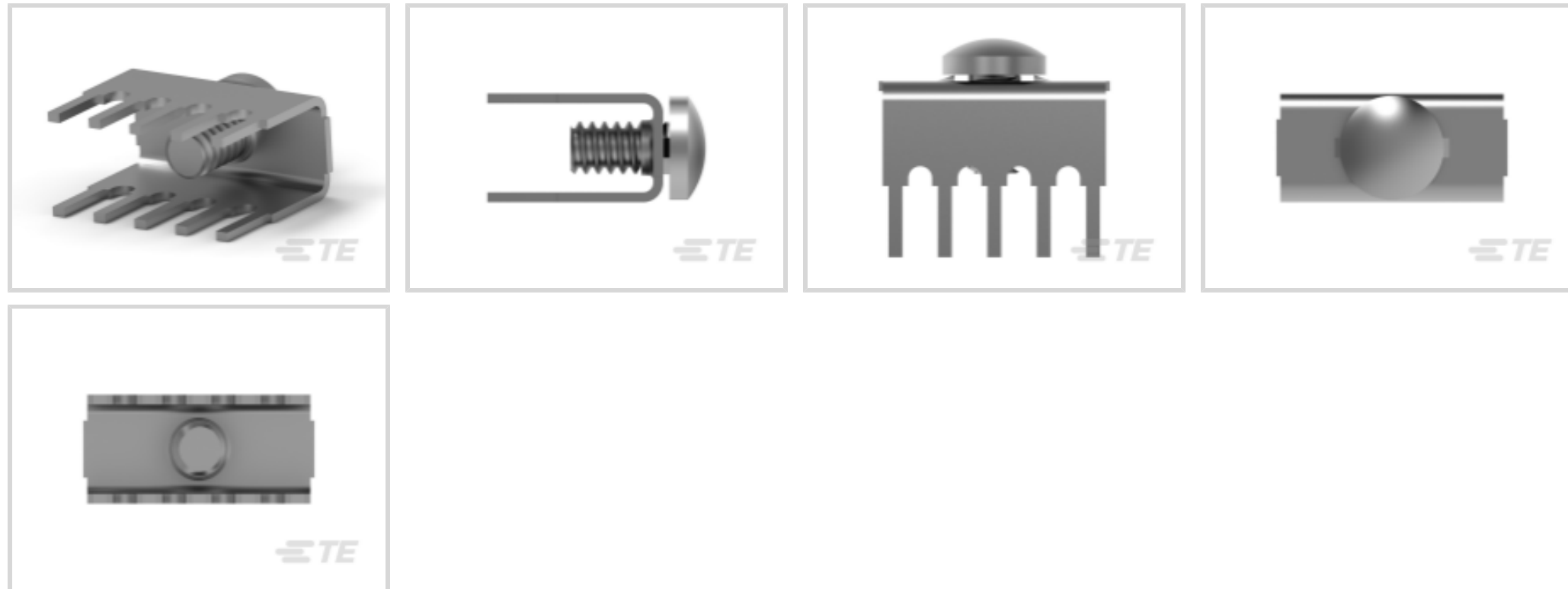
TE Internal #: 1-55323-0

Power Tap, Terminates To Printed Circuit Board, 10 Position, 3.18 mm [.125 in] Centerline, Vertical, Stamped & Formed, Tin-Lead, Power Terminals

[View on TE.com >](#)



Terminals & Splices > Power Terminals



Power Terminal Type: **Power Tap**

Product Terminates To: **Printed Circuit Board**

Number of Positions: **10**

Contact Current Rating (Max): **25 A**

Centerline (Pitch): **3.18 mm [.125 in]**

Features

Mechanical Attachment

| | |
|-------------|------|
| Thread Size | 6-32 |
|-------------|------|

Usage Conditions

| | |
|-----------------------------|---------------------------|
| Insulation Option | Uninsulated |
| Operating Temperature Range | -55 – 85 °C[-67 – 185 °F] |

Contact Features

| | |
|---|-------------------------------|
| PCB Contact Termination Area Plating Material Finish | Bright |
| Contact Mating Area Plating Material Finish | Bright |
| Contact Current Rating (Max) | 25 A |
| Contact Fabrication | Stamped & Formed |
| Contact Mating Area Plating Material | Tin-Lead |
| Contact Mating Area Plating Material Thickness | 3.81 µm[150 µin] |
| PCB Contact Termination Area Plating Material | Tin-Lead |
| PCB Contact Termination Area Plating Material Thickness | 3.81 – 8.89 µm[150 – 350 µin] |
| Contact Base Material | Copper Alloy |



Termination Features

| | |
|------------------------------------|--------------------------|
| Termination Method to PCB | Through Hole - Press-Fit |
| Termination Method to Wire & Cable | Tap Screw |
| Product Terminates To | Printed Circuit Board |

Product Type Features

| | |
|---------------------|--------------------------------|
| Footprint | 6.35 x 3.18 mm [.25 x .125 in] |
| Power Terminal Type | Power Tap |

Configuration Features

| | |
|-----------------------|----------|
| Number of Positions | 10 |
| PCB Mount Orientation | Vertical |

Body Features

| | |
|------------------|----------|
| Terminal Profile | Standard |
|------------------|----------|

Housing Features

| | |
|--------------------|-------------------|
| Centerline (Pitch) | 3.18 mm [.125 in] |
|--------------------|-------------------|

Dimensions

| | |
|-----------------------------|---------------------------------|
| PCB Thickness (Recommended) | 1.57 – 3.18 mm [.062 – .125 in] |
| Product Length | 8.63 mm [.34 in] |

Packaging Features

| | |
|------------------|--------|
| Packaging Method | Carton |
|------------------|--------|

Other

| | |
|--------------------|---------------------------|
| EU RoHS Compliance | Not Compliant |
| EU ELV Compliance | Compliant with Exemptions |

Product Compliance

[For compliance documentation, visit the product page on TE.com>](#)

| | |
|---|---|
| EU RoHS Directive 2011/65/EU | Not Compliant |
| EU ELV Directive 2000/53/EC | Compliant with Exemptions |
| China RoHS 2 Directive MIIT Order No 32, 2016 | Restricted Materials Above Threshold |
| EU REACH Regulation (EC) No. 1907/2006 | Current ECHA Candidate List: JUNE 2024 (241) Candidate List Declared Against: JUNE 2023 (235) SVHC > Threshold: |



Pb (13% in Component Part)

Article Safe Usage Statements:

Do not eat, drink or smoke when using this product. Wash thoroughly after handling. Recycle if possible and dispose of the article by following all applicable governmental regulations relevant to your geographic location.

Halogen Content

Low Halogen - Br, Cl, F, I < 900 ppm per homogenous material. Also BFR/CFR/PVC Free

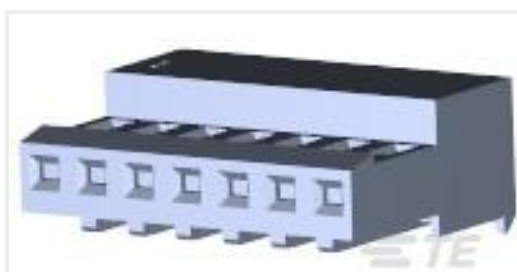
Solder Process Capability

Wave solder capable to 265°C

Product Compliance Disclaimer

This information is provided based on reasonable inquiry of our suppliers and represents our current actual knowledge based on the information they provided. This information is subject to change. The part numbers that TE has identified as EU RoHS compliant have a maximum concentration of 0.1% by weight in homogenous materials for lead, hexavalent chromium, mercury, PBB, PBDE, DBP, BBP, DEHP, DIBP, and 0.01% for cadmium, or qualify for an exemption to these limits as defined in the Annexes of Directive 2011/65/EU (RoHS2). Finished electrical and electronic equipment products will be CE marked as required by Directive 2011/65/EU. Components may not be CE marked. Additionally, the part numbers that TE has identified as EU ELV compliant have a maximum concentration of 0.1% by weight in homogenous materials for lead, hexavalent chromium, and mercury, and 0.01% for cadmium, or qualify for an exemption to these limits as defined in the Annexes of Directive 2000/53/EC (ELV). Regarding the REACH Regulation, the information TE provides on SVHC in articles for this part number is based on the latest European Chemicals Agency (ECHA) 'Guidance on requirements for substances in articles' posted at this URL: <https://echa.europa.eu/guidance-documents/guidance-on-reach>

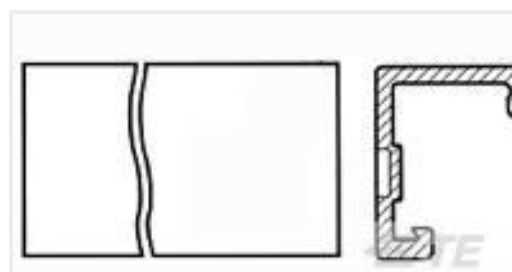
Customers Also Bought



TE Part #3-641237-7
07P MTA100 CONN ASSY RED 30AU



TE Part #4-644042-0
10P MTA100 CONN ASSYLF



TE Part #640551-5
05P MTA156 COVER



TE Part #3-641208-8
08P MTA156 HDR ASSY FL ST LF



TE Part #3-641217-8
08P MTA156 CONN ASSY 18AWG ORA



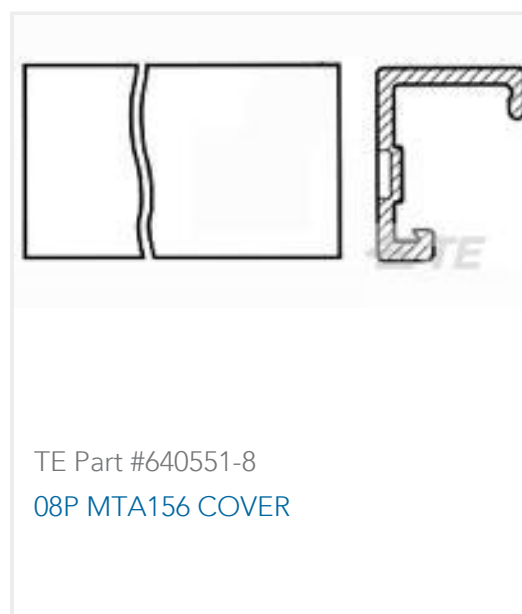
TE Part #3-641150-5
05P MTA156 ASSY 22AWG RED LF



TE Part #1-770972-1
12P MINI UMNL R/A HDR ASSY LF



TE Part #3-641119-5
05P MTA156 HDR ASSY FL/ST LF



Documents

Product Drawings

[10 POWER TAP ASSY .125](#)

English

CAD Files

Customer View Model

[ENG_CVM_CVM_1-55323-0_AA.2d_dxf.zip](#)

English

[3D PDF](#)

3D

Customer View Model

[ENG_CVM_CVM_1-55323-0_AA.3d_igs.zip](#)

English

Customer View Model

[ENG_CVM_CVM_1-55323-0_AA.3d_stp.zip](#)

English

By downloading the CAD file I accept and agree to the [Terms and Conditions](#) of use.

Datasheets & Catalog Pages

[POWER_CONNECTORS_CATALOG_SEC02_CABLE_MOUNTED](#)

English

[PRINTED CIRCUIT BOARD TERMINALS AND DISCONNECTS](#)

English

Product Specifications

[Application Specification](#)

English

Instruction Sheets

[Instruction Sheet \(U.S.\)](#)

English