

61299-3 ✓ ACTIVE



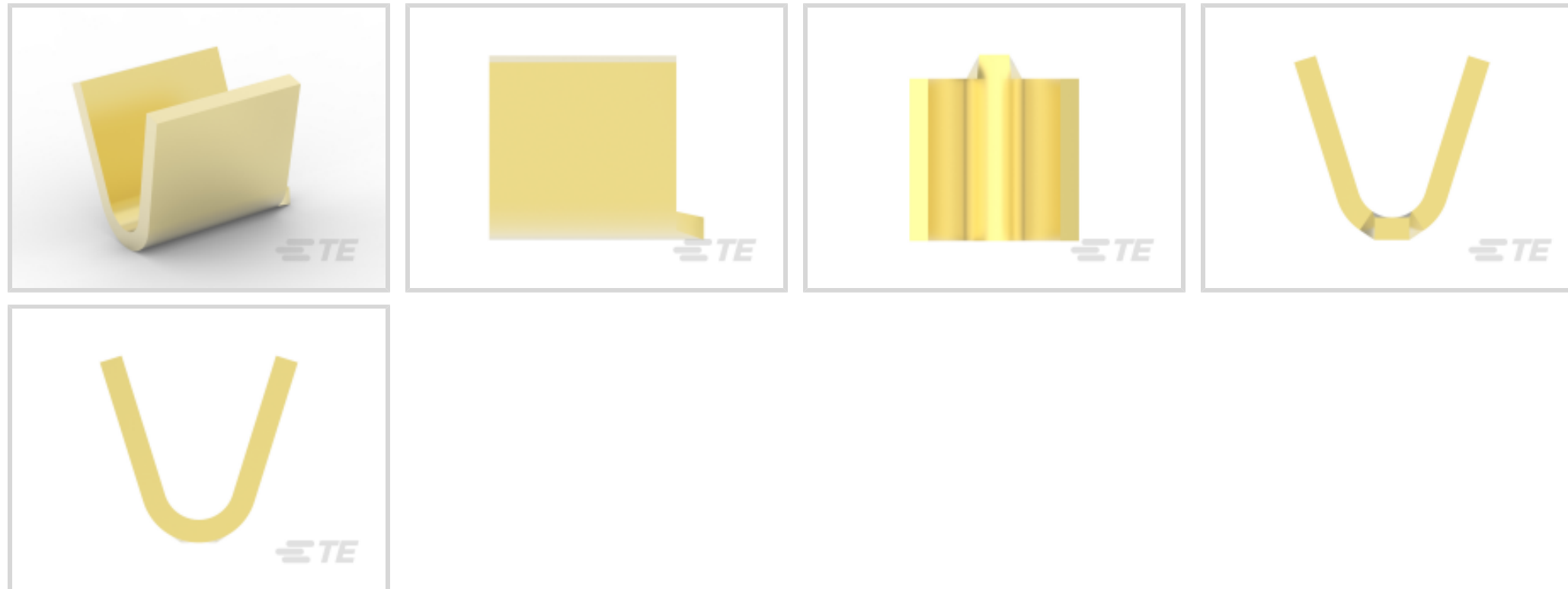
## SPLICE

TE Internal #: 61299-3

Pigtail Splice / Thru Splice, Serrated, 7000 – 12000 CMA Wire Size, Brass, 3 Serration, Length 6.8 mm [.267 in], Reel, Open, SPLICE, Splices

[View on TE.com >](#)

Terminals & Splices > Splices



Splice Type: **Pigtail Splice, Thru Splice**

Sealable: **No**

Splice Features: **Serrated**

Wire Size: **7000 – 12000 CMA**

Contact Base Material: **Brass**

### Features

#### Packaging Features

|                    |      |
|--------------------|------|
| Packaging Quantity | 3500 |
| Packaging Method   | Reel |

#### Body Features

|                 |                 |
|-----------------|-----------------|
| Product Weight  | .625 g[.022 oz] |
| Splice Features | Serrated        |

#### Product Type Features

|  |                             |
|--|-----------------------------|
| Splice Type                            | Pigtail Splice, Thru Splice |
| Sealable                               | No                          |
| Compatible With Discrete Wire Type     | Solid, Stranded             |
| Wire Insulation Support Retention Type | Non-Insulation Support      |

#### Configuration Features

|                                   |               |
|-----------------------------------|---------------|
| Number of Serrations              | 3             |
| Compatible With Wire & Cable Type | Discrete Wire |



### Contact Features

|                       |       |
|-----------------------|-------|
| Contact Base Material | Brass |
| Barrel Type           | Open  |

### Mechanical Attachment

|                         |         |
|-------------------------|---------|
| Wire Insulation Support | Without |
|-------------------------|---------|

### Dimensions

|                             |                  |
|-----------------------------|------------------|
| Wire Size                   | 7000 – 12000 CMA |
| Terminal Material Thickness | .78 mm[.031 in]  |
| Product Length              | 6.8 mm[.267 in]  |

### Usage Conditions

|                             |                            |
|-----------------------------|----------------------------|
| Insulation Option           | Uninsulated                |
| Operating Temperature Range | -40 – 110 °C[-40 – 230 °F] |

### Operation/Application

|                                    |        |
|------------------------------------|--------|
| Compatible With Wire Base Material | Copper |
|------------------------------------|--------|

### Industry Standards

|                             |    |
|-----------------------------|----|
| Government Qualified Splice | No |
|-----------------------------|----|

### Other

|                    |           |
|--------------------|-----------|
| EU RoHS Compliance | Compliant |
| EU ELV Compliance  | Compliant |

### Product Compliance

[For compliance documentation, visit the product page on TE.com>](#)

|   |   |
|---|---|
| EU RoHS Directive 2011/65/EU                  | Compliant   |
| EU ELV Directive 2000/53/EC                   | Compliant   |
| China RoHS 2 Directive MIIT Order No 32, 2016 | No Restricted Materials Above Threshold   |
| EU REACH Regulation (EC) No. 1907/2006        | Current ECHA Candidate List: JUNE 2024 (241)<br>Candidate List Declared Against: JUNE 2024 (241)<br>Does not contain REACH SVHC |
| Halogen Content                               | Low Halogen - Br, Cl, F, I < 900 ppm per homogenous material. Also BFR/CFR/PVC Free   |
| Solder Process Capability                     | Not applicable for solder process capability  |

Product Compliance Disclaimer

This information is provided based on reasonable inquiry of our suppliers and represents our current actual knowledge based on the information they provided. This information is subject to change. The part numbers that TE has identified as EU RoHS compliant have a maximum concentration of 0.1% by weight in homogenous materials for lead, hexavalent chromium, mercury, PBB, PBDE, DBP, BBP, DEHP, DIBP, and 0.01% for cadmium, or qualify for an exemption to these limits as defined in the Annexes of Directive 2011/65/EU (RoHS2). Finished electrical and electronic equipment products will be CE marked as required by Directive 2011/65/EU. Components may not be CE marked. Additionally, the part numbers that TE has identified as EU ELV compliant have a maximum concentration of 0.1% by weight in homogenous materials for lead, hexavalent chromium, and mercury, and 0.01% for cadmium, or qualify for an exemption to these limits as defined in the Annexes of Directive 2000/53/EC (ELV). Regarding the REACH Regulation, the information TE provides on SVHC in articles for this part number is based on the latest European Chemicals Agency (ECHA) 'Guidance on requirements for substances in articles' posted at this URL: <https://echa.europa.eu/guidance-documents/guidance-on-reach>

### Compatible Parts



TE Part # 60806-1  
SPLICE IS 1600-4100 .0126 BR



TE Part # 63414-1  
SPLICE 9000-16000 .031 TPST



TE Part # 62516-2  
SPLICE IS 1600-4100 .0126 BR



TE Part # 2837449-1  
OCEAN\_2.0\_Applicator-S-180F-RSM



TE Part # 2837449-2  
OCEAN\_2.0\_Applicator-S-180F-RSA



**KIT**  
TE Part # 7-2837449-7  
OCEAN\_2.0\_SPARE\_PART\_KIT-180F



TE Part # 566347-1  
STD STSAPR180F F

### Also in the Series | SPLICE



Crimp Wire Pins, Tabs & Ferrules(1)

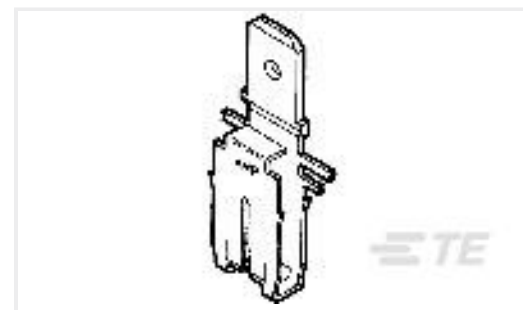


Splices(63)

### Customers Also Bought



TE Part #776537-2  
AS16,CAP ASSY,ST,06P,E SEAL,CODE  
B



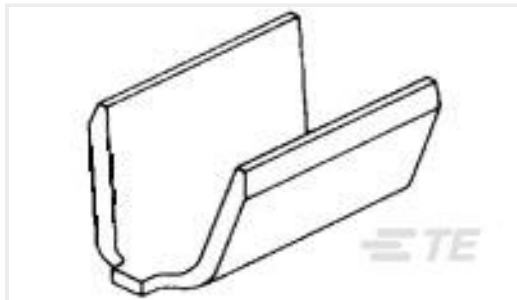
TE Part #63816-1  
TAB, MAG-MATE 250F TPBR



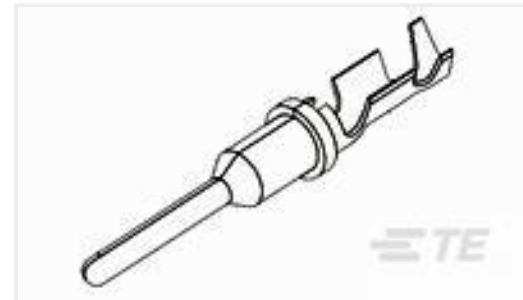
TE Part #485043-1  
SPLICE 4000-9000 .020 BR



TE Part #63459-2  
MAG-MATE 250 F-TAB 15-16 TPBR



TE Part #60997-1  
SPLICE 12000-18000 .025 BR



TE Part #776349-1  
PIN, SF, SIZE 16, 18-20 AWG, AU/SN



TE Part #2272975-1  
6 Pos. Sealed MCON 1.2 Connect



TE Part #1599986-1  
MAG MATE POKE-IN DUAL TAB

## Documents

### Product Drawings

[SPLICE 7000-12500 .031 BR](#)

English

### CAD Files

[3D PDF](#)

3D

Customer View Model

[ENG\\_CVM\\_CVM\\_61299-3\\_AF\\_c-61299-3-af.2d\\_dxf.zip](#)

English

Customer View Model

[ENG\\_CVM\\_CVM\\_61299-3\\_AF\\_c-61299-3-af.3d\\_igs.zip](#)

English

Customer View Model

[ENG\\_CVM\\_CVM\\_61299-3\\_AF\\_c-61299-3-af.3d\\_stp.zip](#)

English

By downloading the CAD file I accept and agree to the [Terms and Conditions](#) of use.

### Product Specifications

[Application Specification](#)

English

### Agency Approvals

[CSA Certificate](#)

English