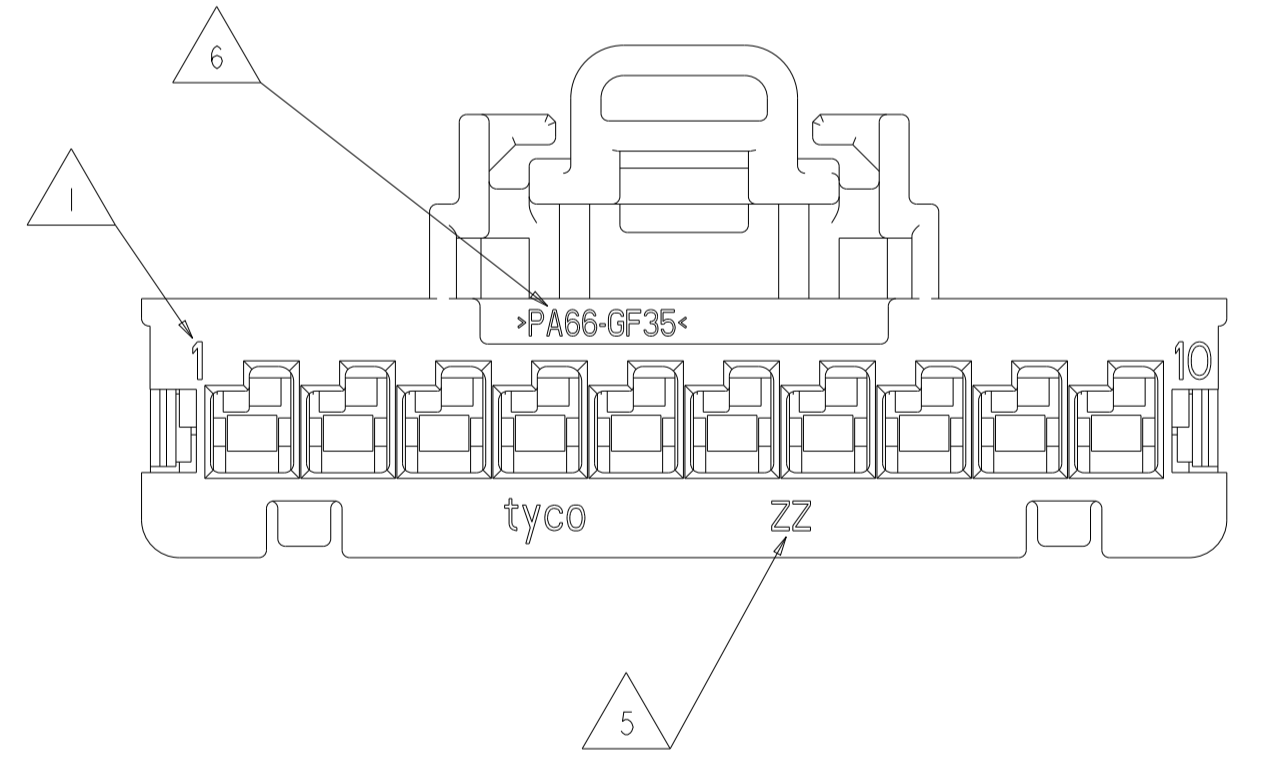
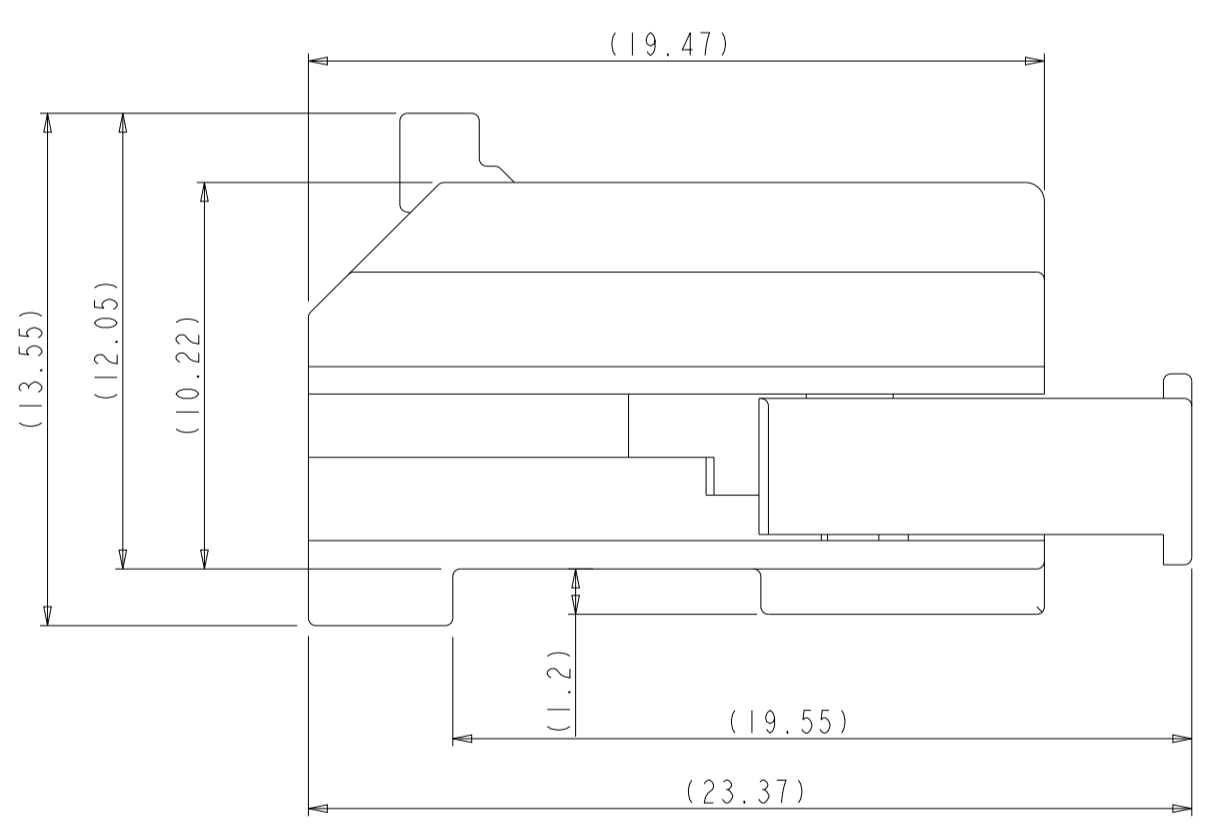
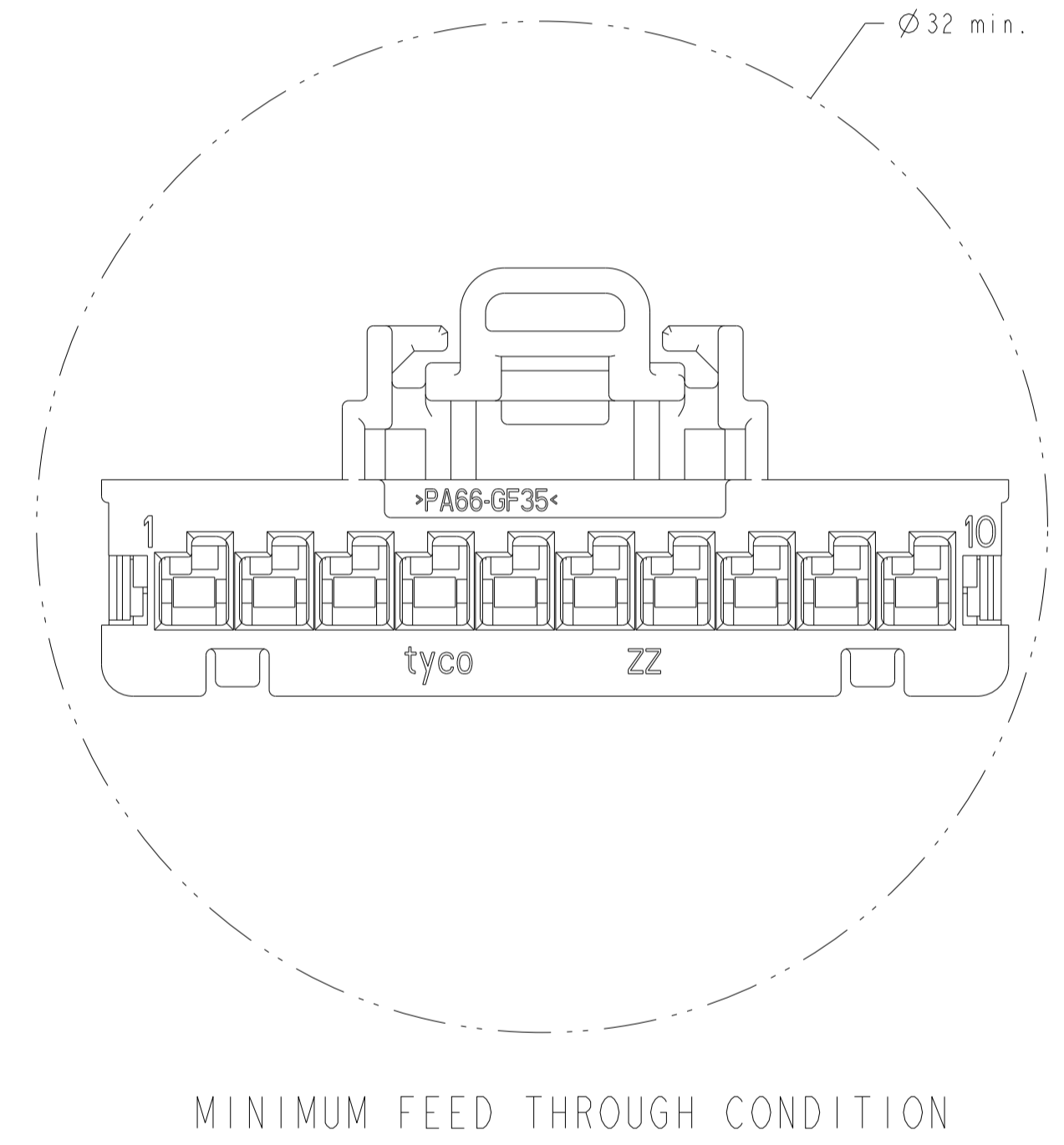
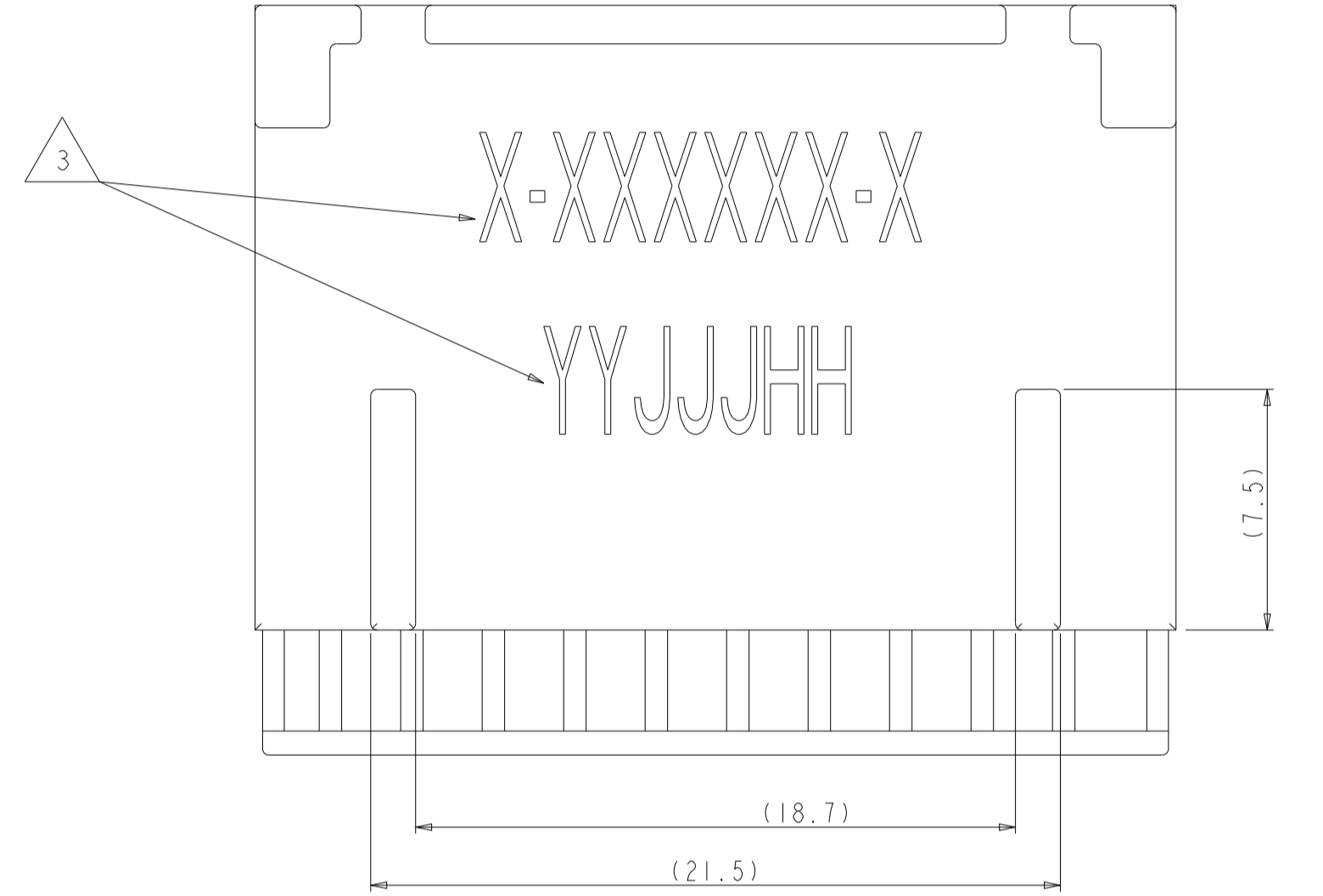


REVISIONS				
P	LTN	DESCRIPTION	DATE	OWN APVD
B8		REVISED PER ECO-14-009167	17JUN2014	DD RL
B9		REV PER ECN-24-290723	28OCT2024	KNR HDC



- 1. TERMINAL POSITION NUMBERS LOCATED AS SHOWN.
- 2. DELIVERY CONDITION: SPACER AND CPA (OPTIONAL) IN PRE INSTALLED POSITION.
- 3. PART NUMBER AND DATE CODE.
- 5. CAVITY NUMBER
- 6. MATERIAL IDENTIFICATION
- 7. PACKING: CONNECTOR ASSEMBLIES BULK PACKED IN CARDBOARD BOX.
- 8. KEYING "A" SHOWN.
- 9. DURING SHIPPING AND HANDLING THE TPA MAY BE DISPLACED TO ITS LOCKED POSITION. THE CONNECTOR CAN BE RETURNED TO ITS PROPER FUNCTION USING IS SHEET 408-10104.
- 10. APPLICABLE TERMINAL PART NUMBERS (SOLD SEPARATLY) GOLD APPLICATIONS 1393364 AND 1393365. TIN APPLICATIONS 1393366 AND 1393367 FOR TERMINATION AND REELING OPTIONS SEE DRAWINGS 1393364, 1393365, 1393366 AND 1393367.

TE ORDER NUMBER	KEYING OPTIONS								DESCRIPTION	COLOR	MATERIAL	ITEM
	H	G	F	E	D	C	A	QUANTITY				
1452187-8									FEMALE HSG, KEY H	BLACK	>PA66-GF35<	1
1452187-8									FEMALE HSG, KEY G	BLACK	>PA66-GF35<	1
1452187-7									FEMALE HSG, KEY F	BLACK	>PA66-GF35<	1
1452187-6									FEMALE HSG, KEY E	BLACK	>PA66-GF35<	1
1452187-5									FEMALE HSG, KEY D	BLACK	>PA66-GF35<	1
1452187-4									FEMALE HSG, KEY C	BLACK	>PA66-GF35<	1
1452187-3									FEMALE HSG, KEY A	BLACK	>PA66-GF35<	1
1452187-1									SPACER	RED	>PBT-GF30< >PBT+PC-GF30	2
1452187-1									CPA	RED	PBT-GF20	3

THIS DRAWING IS A CONTROLLED DOCUMENT.

DIMENSIONS: mm

TOLERANCES UNLESS OTHERWISE SPECIFIED:

0-ELC	±
1-PLC	±
2-PLC	±
3-PLC	±
4-PLC	±
ANGLES	±
FINISH	±

MATERIAL: -

THIS DRAWING IS A CONTROLLED DOCUMENT.

OWN: J. BAHAMONDE 06.12.01

CHK: M. DAUBER 06.12.01

APVD: G. STEINBACH 06.12.01

PRODUCT SPEC

APPLICATION SPEC

WEIGHT: -

CUSTOMER DRAWING

NAME: IX10 POSITION, GET, FEMALE CONNECTOR UNSEALED, ASSEMBLY

SIZE: A1

CAGE CODE: 00779

DRAWING NO: 1452187

RESTRICTED TO: -

SCALE: 5:1

SHEET: 1 OF 1

REV: B9