

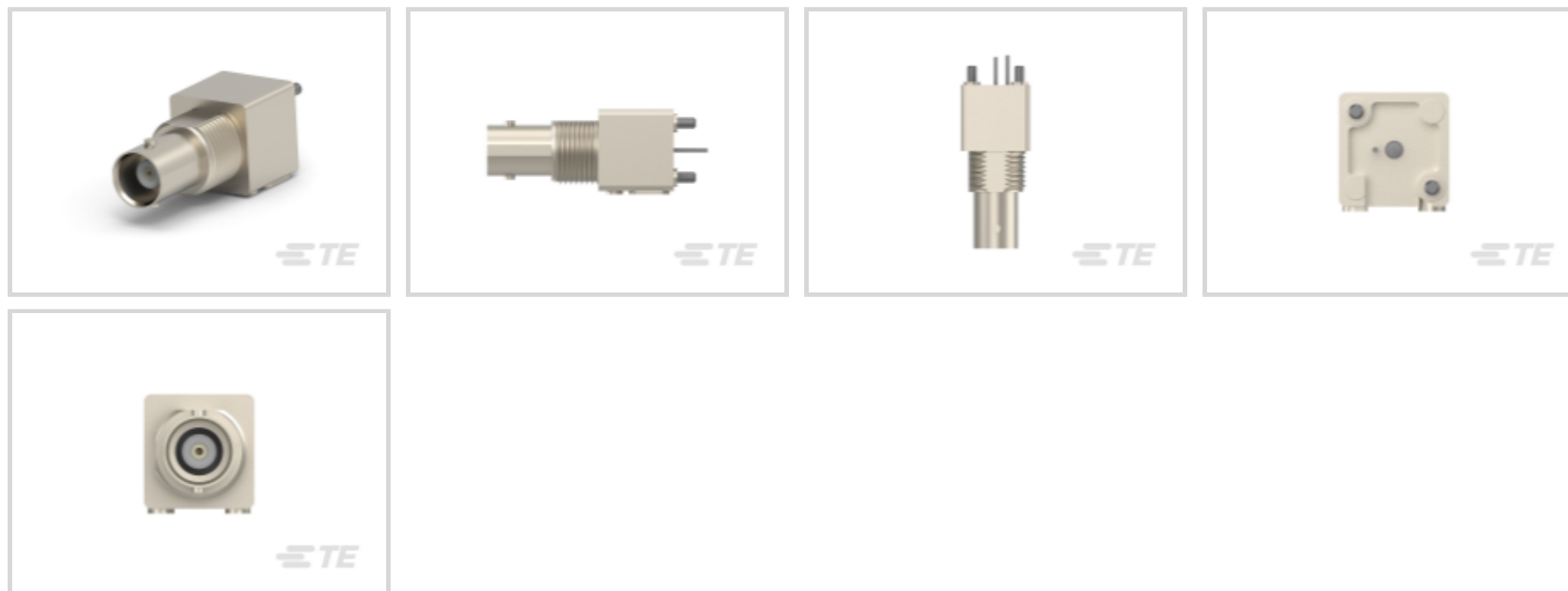
5227673-1 ✓ ACTIVE



TE Internal #: 5227673-1
BNC RF Interface, Jack, 50 ohm, Bayonet, 4 GHz Operating
Frequency, Cable-to-Board, 1 Position, Printed Circuit Board, Panel
Mount

[View on TE.com >](#)

Connectors > RF Connectors > Coax Connectors > BNC Vertical Jack RF Connector, 50 Ohm, Bayonet Coupling Mechanism



RF Interface: **BNC**

RF Connector Style: **Jack**

RF Connector Mated Outer Diameter (Approximate): **14.53 mm [.572 in]**

Impedance: **50 Ω**

RF Connector Coupling Mechanism: **Bayonet**

[All BNC Vertical Jack RF Connector, 50 Ohm, Bayonet Coupling Mechanism \(28\)](#)

Features

Contact Features

| | |
|---|-----------------|
| | 889 μ m |
| RF Connector Center Contact Plating Material | Gold |
| RF Connector Center Contact Material | Phosphor Bronze |
| RF Connector Center Contact Underplating Material | Nickel |

Product Type Features

| | |
|-----------------------------------|-----------------------|
| RF Interface | BNC |
| RF Connector Style | Jack |
| Connector System | Cable-to-Board |
| Sealable | No |
| Connector & Contact Terminates To | Printed Circuit Board |

Dimensions

| | |
|---|-------------------|
| RF Connector Mated Outer Diameter (Approximate) | 14.53 mm[.572 in] |
| Mounting Post Length | 3.48 mm[.137 in] |



| | |
|-------------------------|--------------------|
| Profile Height from PCB | 34.93 mm[1.375 in] |
|-------------------------|--------------------|

Electrical Characteristics

| | |
|-----------|------|
| Impedance | 50 Ω |
|-----------|------|

Mechanical Attachment

| | |
|---------------------------------|---------|
| RF Connector Coupling Mechanism | Bayonet |
|---------------------------------|---------|

| | |
|-------------------------|-------------|
| Connector Mounting Type | Panel Mount |
|-------------------------|-------------|

| | |
|-------------------------------|------------|
| RF Contact Captivation Method | Mechanical |
|-------------------------------|------------|

| | |
|--------|------|
| Detent | With |
|--------|------|

| | |
|------------------------|------------|
| Panel Attachment Style | Rear Mount |
|------------------------|------------|

| | |
|---------------------|------|
| PCB Mount Retention | With |
|---------------------|------|

| | |
|--------------------------|--------------------|
| Panel Mount Feature Type | Lockwasher and Nut |
|--------------------------|--------------------|

Operation/Application

| | |
|---------------------|-------|
| Operating Frequency | 4 GHz |
|---------------------|-------|

Configuration Features

| | |
|---------------------|---|
| Number of Positions | 1 |
|---------------------|---|

| | |
|----------------------------|---|
| Number of Coaxial Contacts | 1 |
|----------------------------|---|

| | |
|-----------------------|----------|
| PCB Mount Orientation | Vertical |
|-----------------------|----------|

Usage Conditions

| | |
|-----------------------------|---------------------------|
| Operating Temperature Range | -55 – 85 °C[-67 – 185 °F] |
|-----------------------------|---------------------------|

| | |
|-------------------|-------------|
| Insulation Option | Uninsulated |
|-------------------|-------------|

Body Features

| | |
|---------------|------|
| Body Material | Zinc |
|---------------|------|

| | |
|-----------------------|--------|
| Body Plating Material | Nickel |
|-----------------------|--------|

Other

| | |
|---------------------|-------------------|
| Dielectric Material | Polymethylpentene |
|---------------------|-------------------|

| | |
|--------------------|---------------------------|
| EU RoHS Compliance | Compliant with Exemptions |
|--------------------|---------------------------|

| | |
|-------------------|---------------------------|
| EU ELV Compliance | Compliant with Exemptions |
|-------------------|---------------------------|

| | |
|-------|------------|
| Grade | Commercial |
|-------|------------|

Packaging Features

| | |
|------------------|------|
| Packaging Method | Tray |
|------------------|------|

Termination Features



| | |
|--------------------------------|-----------------------|
| Termination Method to PCB | Through Hole - Solder |
| Termination Post & Tail Length | 5.33 mm[.21 in] |

Product Compliance

[For compliance documentation, visit the product page on TE.com>](#)

| | |
|---|--|
| EU RoHS Directive 2011/65/EU | Compliant with Exemptions |
| EU ELV Directive 2000/53/EC | Compliant with Exemptions |
| China RoHS 2 Directive MIIT Order No 32, 2016 | Restricted Materials Above Threshold |
| EU REACH Regulation (EC) No. 1907/2006 | Current ECHA Candidate List: JUNE 2024 (241) Candidate List Declared Against: JUNE 2024 (241) SVHC > Threshold: Pb (3.7% in Component Part) Article Safe Usage Statements: Do not eat, drink or smoke when using this product. Wash thoroughly after handling. Recycle if possible and dispose of the article by following all applicable governmental regulations relevant to your geographic location. |
| Halogen Content | Low Halogen - Br, Cl, F, I < 900 ppm per homogenous material. Also BFR/CFR/PVC Free |
| Solder Process Capability | Wave solder capable to 265°C |

Product Compliance Disclaimer

This information is provided based on reasonable inquiry of our suppliers and represents our current actual knowledge based on the information they provided. This information is subject to change. The part numbers that TE has identified as EU RoHS compliant have a maximum concentration of 0.1% by weight in homogenous materials for lead, hexavalent chromium, mercury, PBB, PBDE, DBP, BBP, DEHP, DIBP, and 0.01% for cadmium, or qualify for an exemption to these limits as defined in the Annexes of Directive 2011/65/EU (RoHS2). Finished electrical and electronic equipment products will be CE marked as required by Directive 2011/65/EU. Components may not be CE marked. Additionally, the part numbers that TE has identified as EU ELV compliant have a maximum concentration of 0.1% by weight in homogenous materials for lead, hexavalent chromium, and mercury, and 0.01% for cadmium, or qualify for an exemption to these limits as defined in the Annexes of Directive 2000/53/EC (ELV). Regarding the REACH Regulation, the information TE provides on SVHC in articles for this part number is based on the latest European Chemicals Agency (ECHA) 'Guidance on requirements for substances in articles' posted at this URL: <https://echa.europa.eu/guidance-documents/guidance-on-reach>

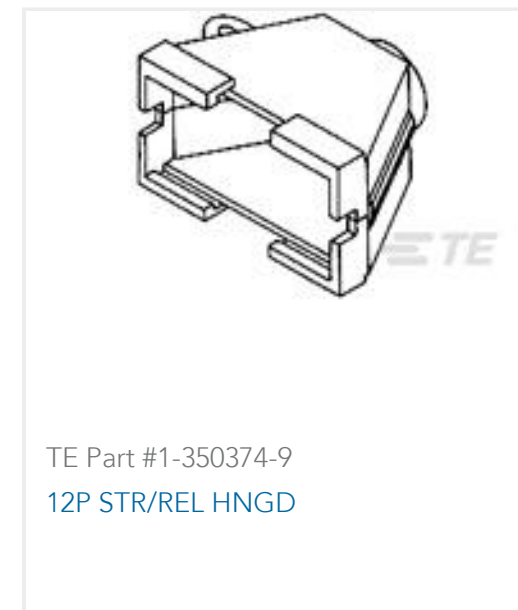
Compatible Parts





Customers Also Bought





Documents

Product Drawings

BNC PCB VERTICAL JACK W/POST

English

CAD Files

3D PDF

3D

Customer View Model

[ENG_CVM_CVM_5227673-1_B.2d_dxf.zip](#)

English

Customer View Model

[ENG_CVM_CVM_5227673-1_B.3d_igs.zip](#)

English

Customer View Model

[ENG_CVM_CVM_5227673-1_B.3d_stp.zip](#)

English

By downloading the CAD file I accept and agree to the [Terms and Conditions](#) of use.

Datasheets & Catalog Pages

BNC Connectors

English

Product Specifications

Product Specification

English

Surface Mount Smart Card Connector

English



Product Specification

English

Instruction Sheets

Instruction Sheet (U.S.)

English