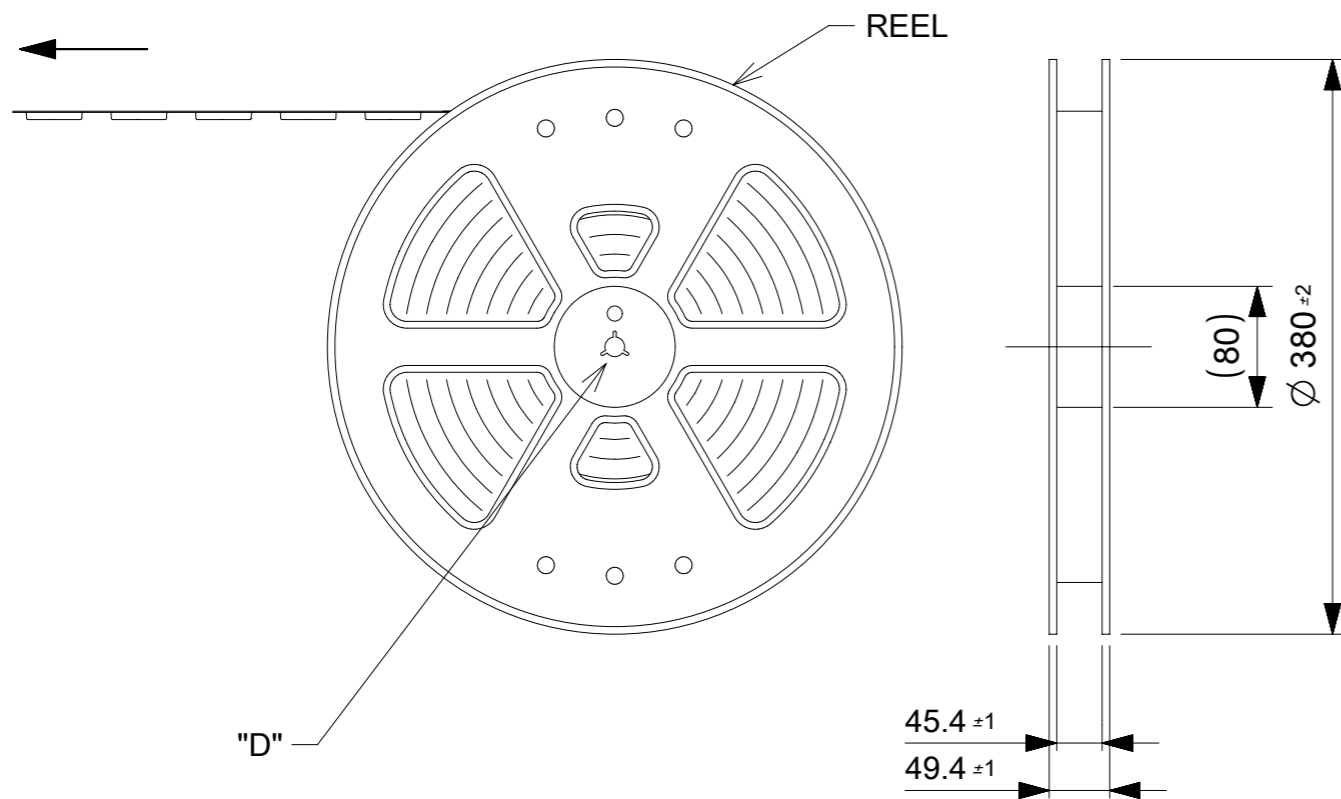
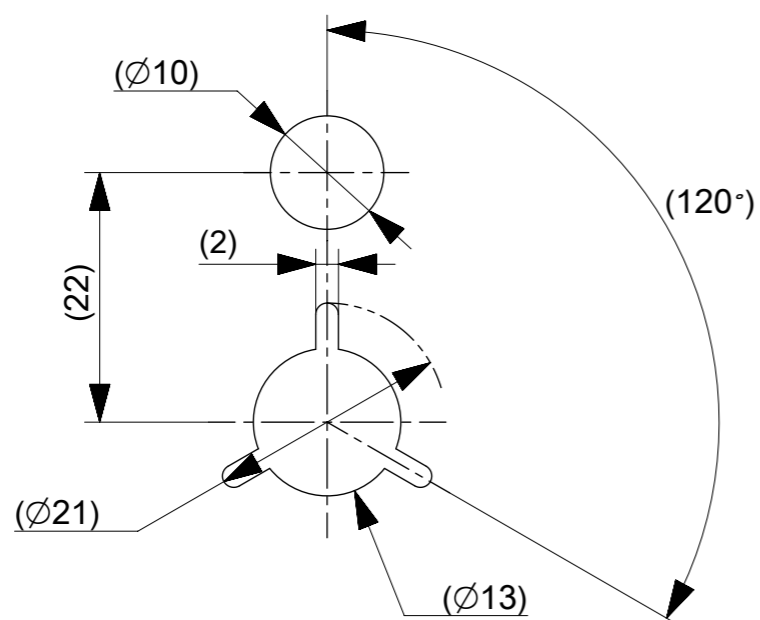


引き出し方向
PULL OUT DIRECTION



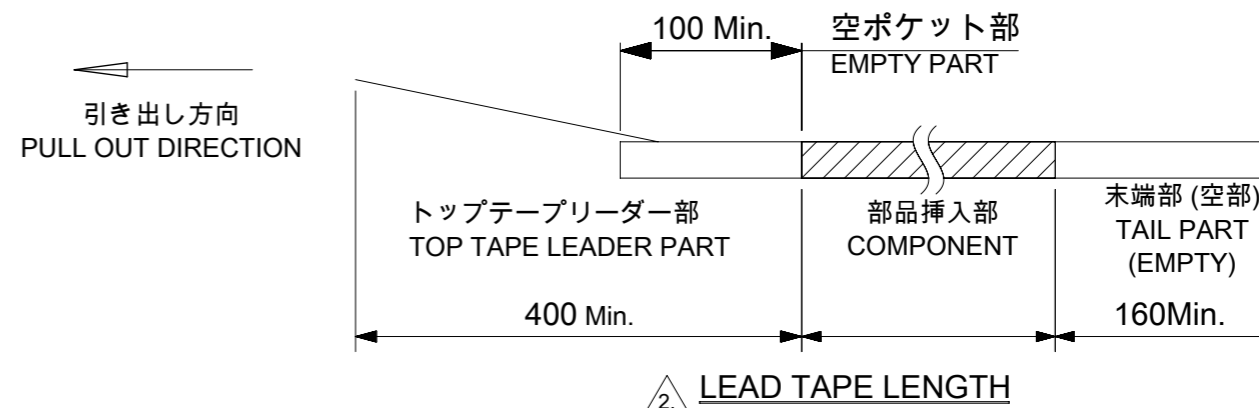
"D"



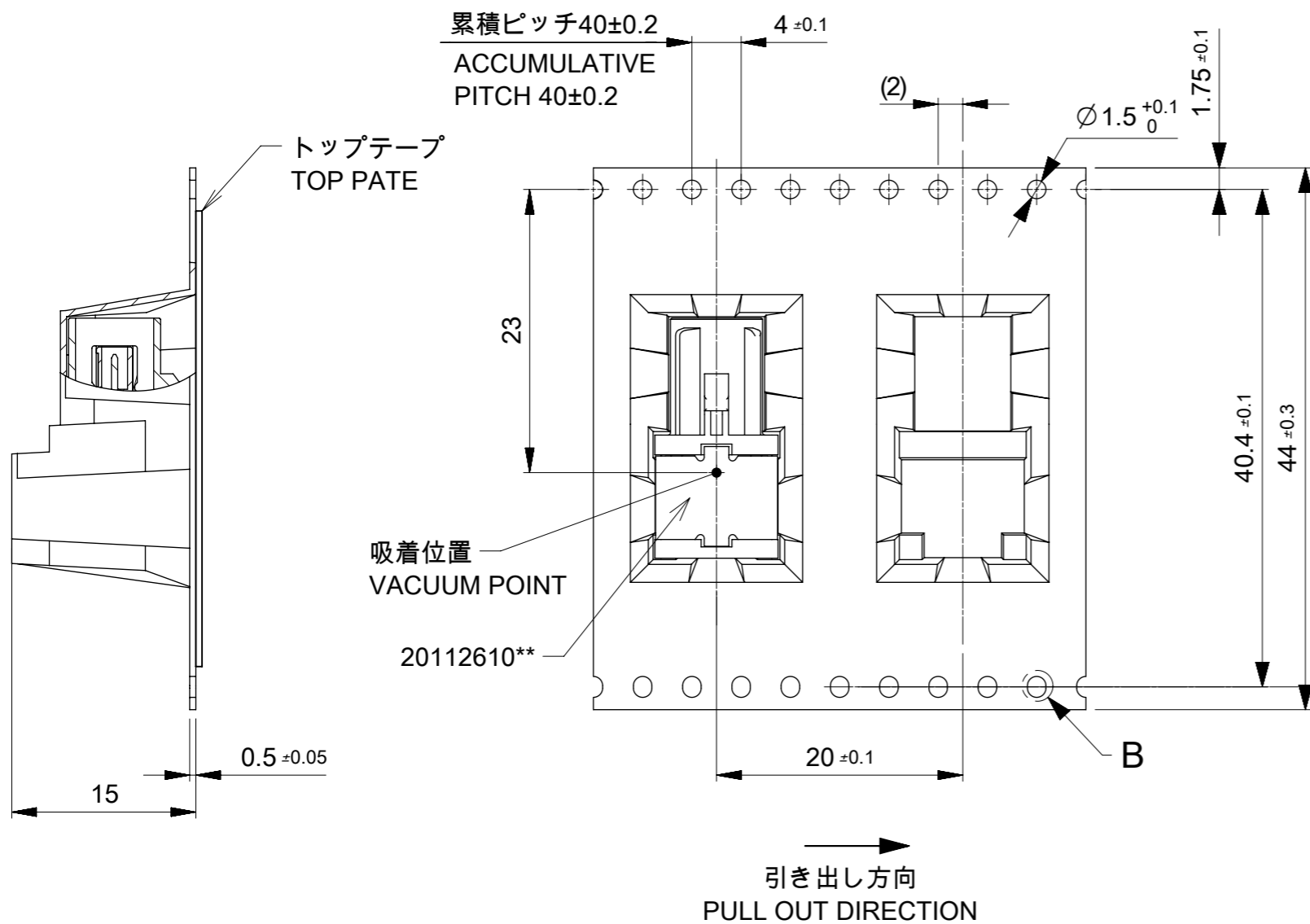
DETAIL "D"

NOTES

1. 梱包数量 : 300個 / リール
THE NUMBER OF PACKAGED CONNECTORS: 300 PIECES/REEL
2. リードテープ長さ
LEAD TAPE LENGTH.
3. トップテープの剥離強度はIEC60286-3に準拠
COMPLY WITH IEC60286-3 FOR PEEL OFF STRENGTH OF TOP TAPE.
4. 製品詳細寸法については、図面2011261001 000 PSDを参照してください。
FOR DIMENTIONS OF PRODUCT, REFER TO 2011261001 000 PSD.
5. 材料 MATERIAL
キャリアテープ : ポリスチレン
CARRIER TAPE:POLYSTYRENE
トップテープ : ポリエチレンテレフタレート、ポリエチレン
TOP TAPE:POLYETHYLENE TEREHTHALATE,POLYETHYLENE
リール : ポリスチレン(リサイクル材を含む)
REEL:POLYSTYRENE(RECYCLE MATERIAL CONTAINED)



THIS DRAWING CONTAINS INFORMATION THAT IS PROPRIETARY TO MOLEX ELECTRONIC TECHNOLOGIES, LLC AND SHOULD NOT BE USED WITHOUT WRITTEN PERMISSION									
DIMENSION UNITS	SCALE	CURRENT REV DESC: REVISED					molex		
mm	2:1								
GENERAL TOLERANCES (UNLESS SPECIFIED)							FAKRA JACK R/A EMBSTP PKG		
ANGULAR TOL	± 3.0 °	EC NO: 608977							
4 PLACES	± 0.03	DRWN: NNAITO	2018/12/11						
3 PLACES	± 0.03	CHK'D: YMIKI01	2018/12/13						
2 PLACES	± 0.05	APPR: TOSADA	2018/12/14			PRODUCT CUSTOMER DRAWING			
1 PLACE	± 0.1	INITIAL REVISION:				DOCUMENT NUMBER	DOC TYPE	DOC PART	REVISION
0 PLACES	± 0.2	DRWN: YMIKI01	2015/12/16		2011260001		PSD	000	E1
DRAFT WHERE APPLICABLE MUST REMAIN WITHIN DIMENSIONS		THIRD ANGLE PROJECTION	DRAWING	SERIES	MATERIAL NUMBER	CUSTOMER		SHEET NUMBER	
			A3-SIZE	201126		GENERAL		1 OF 2	



吸着位置
VACUUM POINT

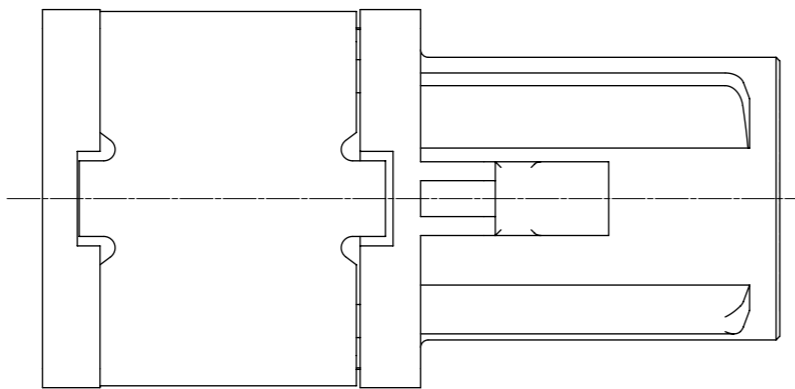
20112610**

DETAIL B
SCALE 10:1

N	PASTEL GREEN	N/A	N/A
M	PASTEL ORANGE	2011261013	2011260013
L	CARMINE RED	2011261012	2011260012
Z	WATER BLUE	2011261011	2011260011
K	CURRY YELLOW	2011261010	2011260010
I	BEIGE	2011261009	2011260009
H	VIOLET	2011261008	2011260008
G	GRAY	N/A	N/A
F	BROWN	2011261006	2011260006
E	GREEN	2011261005	2011260005
D	BORDEAUX VIOLET	2011261004	2011260004
C	BLUE	2011261003	2011260003
B	CREAM WHITE	2011261002	2011260002
A	BLACK	2011261001	2011260001
KEYING CODE	COLOR	CONNECTOR MATERIAL NO.	EMBOSSED PACKAGE オーダー番号 ORDER NO.

THIS DRAWING CONTAINS INFORMATION THAT IS PROPRIETARY TO MOLEX ELECTRONIC TECHNOLOGIES, LLC AND SHOULD NOT BE USED WITHOUT WRITTEN PERMISSION

DIMENSION UNITS	SCALE	CURRENT REV DESC: REVISED		molex		
mm	2:1					
GENERAL TOLERANCES (UNLESS SPECIFIED)				FAKRA JACK R/A EMBSTP PKG		
ANGULAR TOL	± 3.0 °	EC NO: 608977		PRODUCT CUSTOMER DRAWING		
4 PLACES	± 0.03	DRWN: NNAITO 2018/12/11		DOCUMENT NUMBER		
3 PLACES	± 0.03	CHK'D: YMIKI01 2018/12/13		2011260001		
2 PLACES	± 0.05	APPR: TOSADA 2018/12/14		DOC TYPE		
1 PLACE	± 0.1	INITIAL REVISION:		PSD		
0 PLACES	± 0.2	DRWN: YMIKI01 2015/12/16		DOC PART		
DRAFT WHERE APPLICABLE MUST REMAIN WITHIN DIMENSIONS		APPR: MSASAO 2016/08/22		000		
THIRD ANGLE PROJECTION		DRAWING		REVISION		
DRAWING		SERIES		E1		
A3-SIZE		MATERIAL NUMBER		SHEET NUMBER		
201126		CUSTOMER		2 OF 2		
		GENERAL				



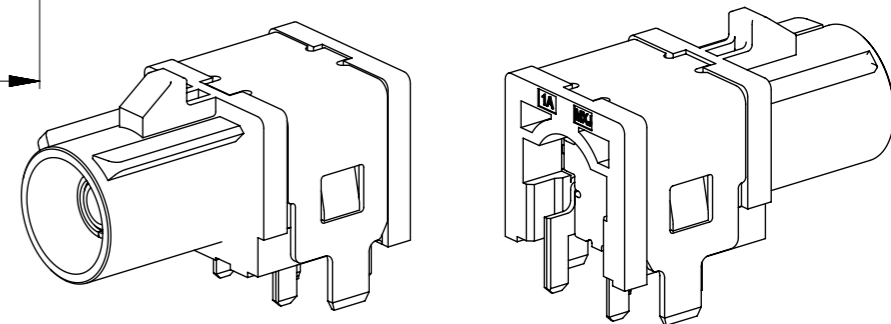
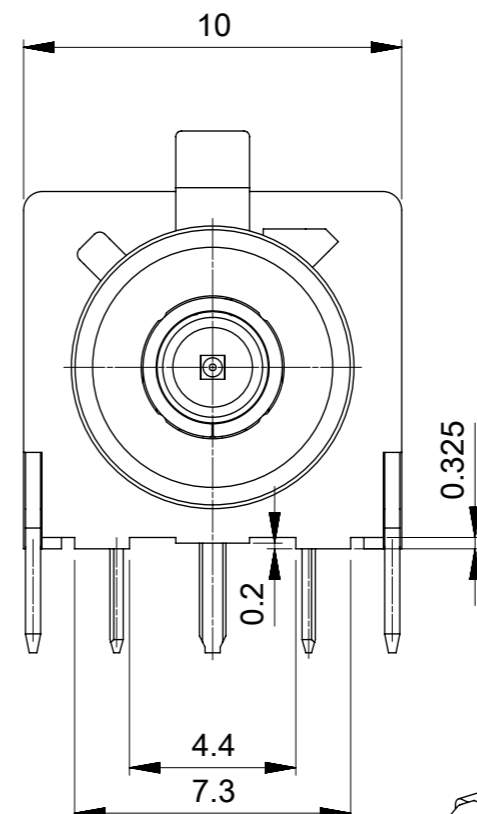
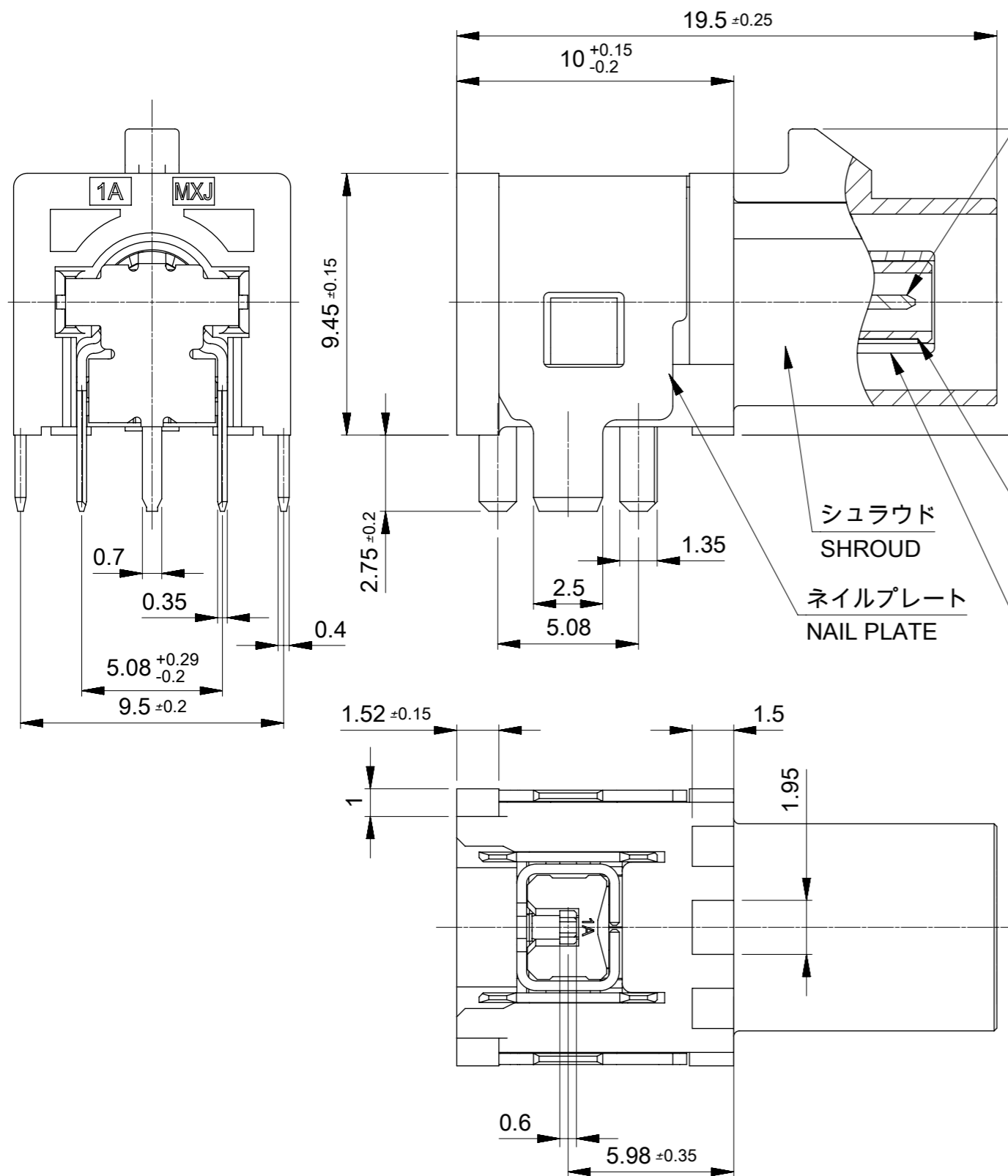
注記 NOTE

1. 使用材料 MATERIAL

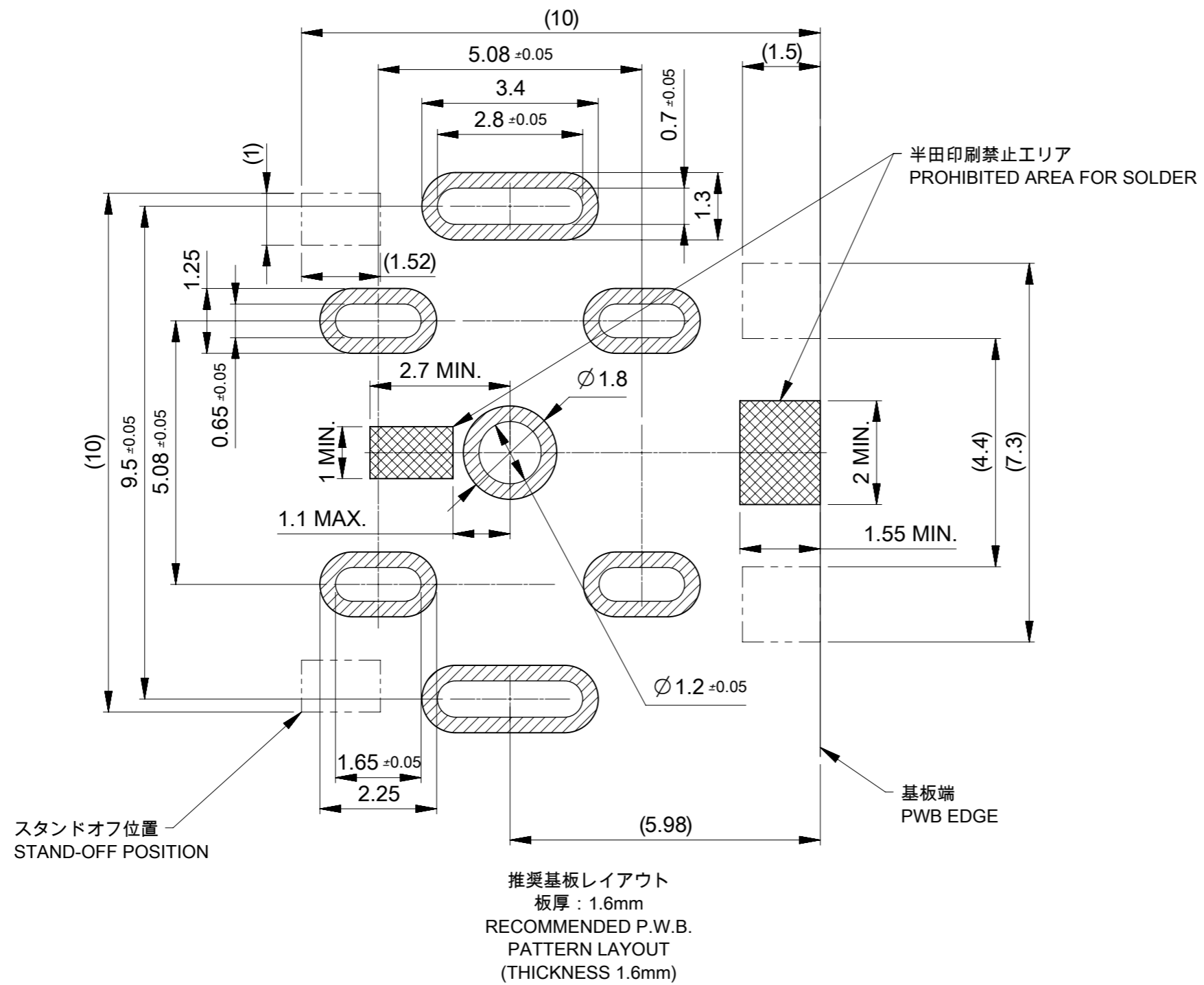
- センターコンタクト : 黄銅
CENTER CONTACT : BRASS
- インシュレータ : 液晶ポリマー ガラス充填、UL94V-0(黒色)
INSULATOR : LIQUID CRYSTAL POLYMER
GLASS FILLED, UL94V-0(BLACK)
- アウターコンタクト : リン青銅
OUTER CONTACT : PHOSPHOR BRONZE
- シュラウド : ポリアミド (色はSHEET3参照)
SHROUD : POLYAMIDE
GLASS FILLED
(COLOR:SEE SHEET 3)
- ネイルプレート : リン青銅
NAIL PLATE : PHOSPHOR BRONZE

2. メッキ仕様 PLATING

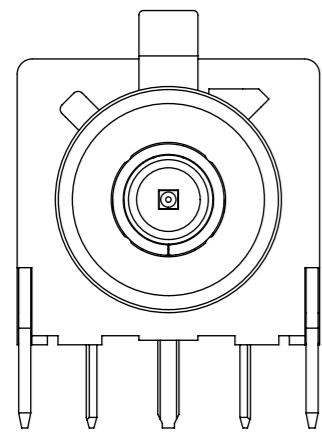
- センターコンタクト CENTER CONTACT
接点部 : 部分金メッキ(0.05μm以上)
半田付け部 : 錫メッキ
下地メッキ : ニッケルメッキ
CONTACT AREA:SEPARATED GOLD PLATING
(0.05 MICROMETER MINIMUM)
- SOLDER AREA:TIN
UNDER-PLATING:NICKEL
- アウターコンタクト OUTER CONTACT
接点部 : ニッケルメッキ
半田付け部 : 錫メッキ
下地メッキ : ニッケルメッキ
CONTACT AREA:NICKEL
SOLDER AREA:TIN
UNDER-PLATING:NICKEL
- ネイルプレート NAIL PLATE
半田付け部 : 部分金メッキ
下地メッキ : ニッケルメッキ
SOLDER AREA:SEPARATED GOLD PLATING
UNDER-PLATING:NICKEL



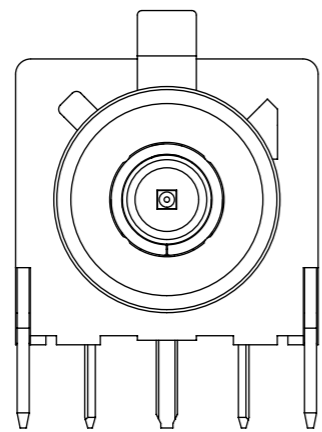
THIS DRAWING CONTAINS INFORMATION THAT IS PROPRIETARY TO MOLEX ELECTRONIC TECHNOLOGIES, LLC AND SHOULD NOT BE USED WITHOUT WRITTEN PERMISSION									
DIMENSION UNITS		SCALE		CURRENT REV DESC: REVISED					
mm		5:1							
GENERAL TOLERANCES (UNLESS SPECIFIED)									
ANGULAR TOL		± 3.0 °		FAKRA JACK R/A ASSY PRODUCT CUSTOMER DRAWING					
4 PLACES		± 0.1							
3 PLACES		± 0.1							
2 PLACES		± 0.1							
1 PLACE		± 0.1							
0 PLACES		± 0.2		INITIAL REVISION:		DOCUMENT NUMBER		DOC TYPE	
DRAFT WHERE APPLICABLE MUST REMAIN WITHIN DIMENSIONS		THIRD ANGLE PROJECTION		DRAWING		SERIES		MATERIAL NUMBER	
				A3-SIZE		201126		2011261001	
						SEE SHEET 3		PSD 000 G1	
						GENERAL		1 OF 3	



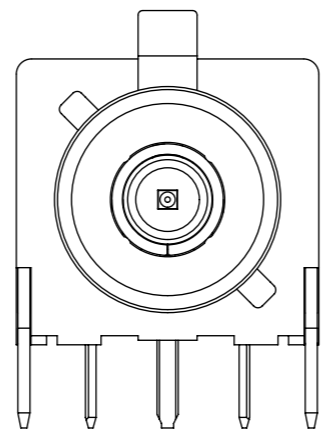
THIS DRAWING CONTAINS INFORMATION THAT IS PROPRIETARY TO MOLEX ELECTRONIC TECHNOLOGIES, LLC AND SHOULD NOT BE USED WITHOUT WRITTEN PERMISSION											
DIMENSION UNITS mm		SCALE 5:1		CURRENT REV DESC: REVISED				molex		FAKRA JACK R/A ASSY	
GENERAL TOLERANCES (UNLESS SPECIFIED)											
ANGULAR TOL		± 3.0°		EC NO: 608977		2018/12/11		PRODUCT CUSTOMER DRAWING		DOCUMENT NUMBER 2011261001	
4 PLACES		± 0.1		DRWN: NNAITO		2018/12/13					
3 PLACES		± 0.1		CHK'D: YMIKI01		2018/12/14					
2 PLACES		± 0.1		APPR: TOSADA		2018/12/14		INITIAL REVISION:		DOC TYPE PSD	
1 PLACE		± 0.1		DRWN: YMIKI01		2015/12/16		DOC PART 000		REVISION G1	
0 PLACES		± 0.2		APPR: MSASAO		2016/08/22		MATERIAL NUMBER SEE SHEET 3		CUSTOMER GENERAL	
DRAFT WHERE APPLICABLE MUST REMAIN WITHIN DIMENSIONS				THIRD ANGLE PROJECTION ☉ ☒		DRAWING A3-SIZE		SERIES 201126		SHEET NUMBER 2 OF 3	



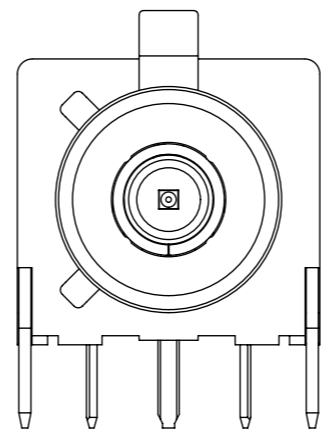
CODE-A



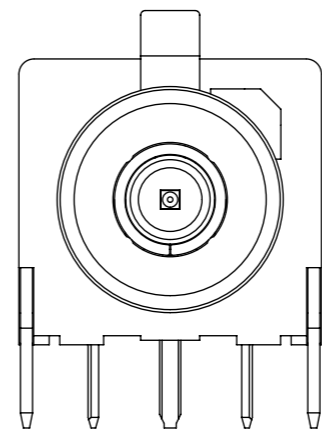
CODE-B



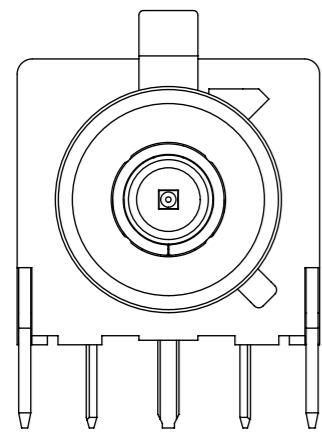
CODE-C



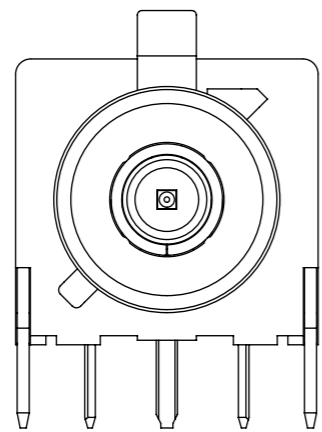
CODE-D



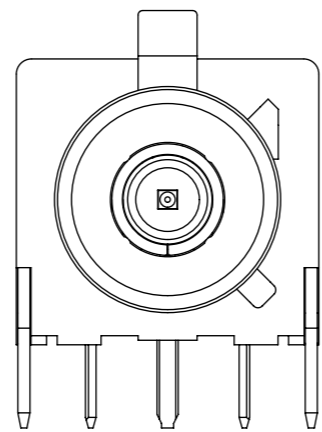
CODE-E



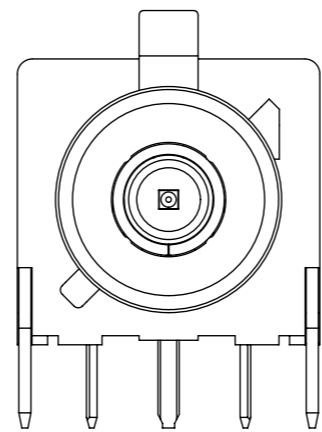
CODE-F



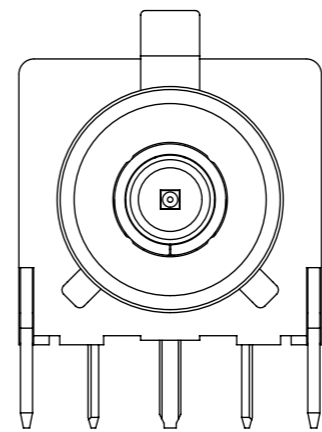
CODE-G



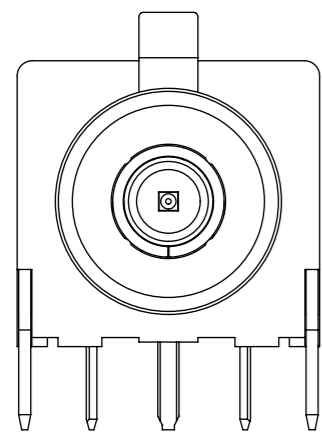
CODE-H



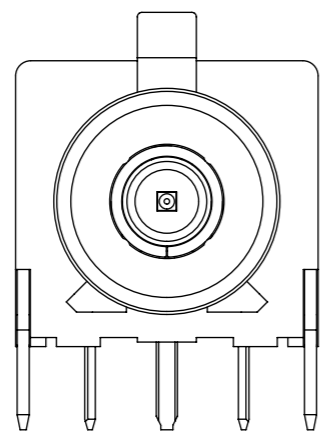
CODE-I



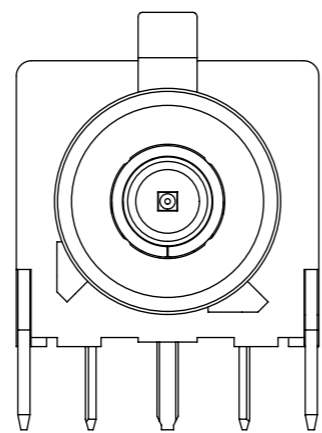
CODE-K



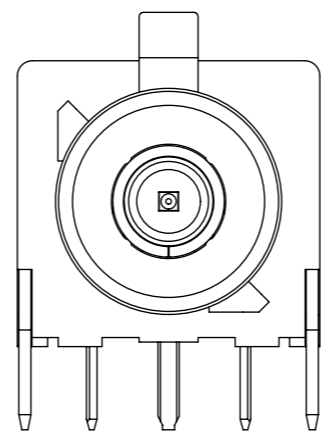
CODE-Z



CODE-L



CODE-M



CODE-N

N	PASTEL GREEN	N/A
M	PASTEL ORANGE	2011261013
L	CARMINE RED	2011261012
Z	WATER BLUE	2011261011
K	CURRY YELLOW	2011261010
I	BEIGE	2011261009
H	VIOLET	2011261008
G	GRAY	N/A
F	BROWN	2011261006
E	GREEN	2011261005
D	BORDEAUX VIOLET	2011261004
C	BLUE	2011261003
B	CREAM WHITE	2011261002
A	BLACK	2011261001
KEYING CODE	COLOR	MATERIAL No.

THIS DRAWING CONTAINS INFORMATION THAT IS PROPRIETARY TO MOLEX ELECTRONIC TECHNOLOGIES, LLC AND SHOULD NOT BE USED WITHOUT WRITTEN PERMISSION									
DIMENSION UNITS		SCALE		CURRENT REV DESC: REVISED					
mm		5:1		molex					
GENERAL TOLERANCES (UNLESS SPECIFIED)									
ANGULAR TOL		± 3.0 °		FAKRA JACK R/A ASSY					
4 PLACES		± 0.1		PRODUCT CUSTOMER DRAWING					
3 PLACES		± 0.1		DOCUMENT NUMBER					
2 PLACES		± 0.1		2011261001					
1 PLACE		± 0.1		DOC TYPE					
0 PLACES		± 0.2		PSD					
DRAFT WHERE APPLICABLE MUST REMAIN WITHIN DIMENSIONS		THIRD ANGLE PROJECTION		DRAWING		SERIES		SHEET NUMBER	
				A3-SIZE		201126		3 OF 3	