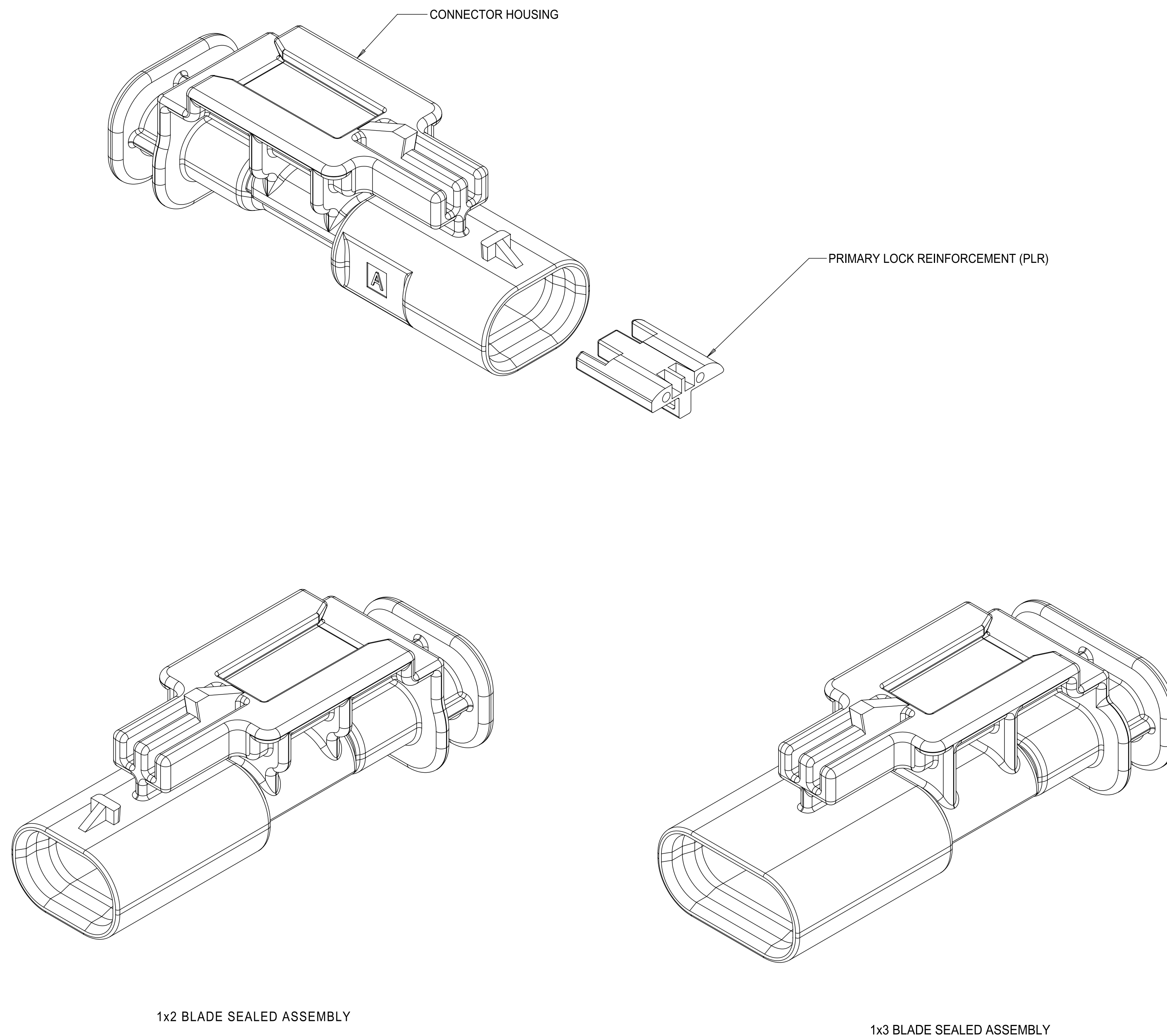


TABLE OF CONTENTS

SHEET NO.	SHEET DESCRIPTION
1	NOTES
2	1x2 BLADE SEALED ASSEMBLY KEYING CONFIGURATIONS
3	1x3 BLADE SEALED ASSEMBLY KEYING CONFIGURATIONS
4	CLIP-SLOT CONFIGURATIONS
5	BLADE SEALED ASSEMBLY
6	CONNECTION SYSTEM PACKAGING
7	WIRE DRESS COVER INTERFACE OPTIONS
8	1x2 BLADE SEALED ASSEMBLY BOM INTERFACE OPTION 1
9	1x2 BLADE SEALED ASSEMBLY BOM INTERFACE OPTION 2
10	1x3 BLADE SEALED ASSEMBLY BOM INTERFACE OPTION 1
11	1x3 BLADE SEALED ASSEMBLY BOM INTERFACE OPTION 2



NOTES: VALID UNLESS OTHERWISE SPECIFIED

1. GENERAL:
  - a. APPLICATION SPECIFICATION SEE: AS-34900-0001  
CONTAINS: PRODUCT INTRODUCTION, PRODUCT SUMMARY, CONNECTOR ASSEMBLY, PACKAGING INFORMATION, CONNECTOR MATING, SERVICE INSTRUCTIONS, ELECTRICAL CONTINUITY CHECKING, CRIMPING, AND TROUBLESHOOTING.
  - b. PRODUCT SPECIFICATION SEE: PS-34900-0001  
CONTAINS: PRODUCT INTRODUCTION, PRODUCT SUMMARY, RATINGS (CURRENT, TEMPERATURE, SEALING, AND FLAMMABILITY), AND PRODUCT VALIDATION.
  - c. PACKAGING SPECIFICATION PER MOLEX DRAWING: PK-31301-898
  - d. PARTS MUST BE IN COMPLIANCE TO MOLEX CHEMICAL SUBSTANCES FOR PRODUCTS AND PACKAGING SPECIFICATION: ES-40000-5016
  - e. DATA MUST BE SUBMITTED UNDER THE MOLEX PART NUMBER TO IMDS (COMPANY ID#13255)
2. DESIGN - MATERIALS:
  - a. SEE BOM TABLE
3. DESIGN - GEOMETRY:
  - a. THIS IS A 100% CAD GENERATED PART. THE CAD MATHEMATICAL DATA IS THE MASTER FOR THIS PART. FOR DIMENSIONAL OR ANY INFORMATION NOT SHOWN ON THIS DRAWING, ANALYZE THE CAD MODEL.
  - b. GEOMETRIC DIMENSIONS AND TOLERANCES PER ASME Y14.5M - 1994
  - c. EDGES AND UNDIMENSIONED DETAILS PER ISO13715
  - d. CORNERS SHOWN AS SHARP TO BE R 0.2 MAX.
  - e. LETTERING SHALL BE 0.15 MAX RAISED IN 0.25 MAX RECESS PAD. THIS INCLUDES RECYCLING CODE, CAVITY ID, VENDOR IDENTIFICATION,
  - f. VISUAL DEFECTS SHALL MEET COSMETIC STANDARD PS-45499-002 (Class B)
  - g. LASER MARKING:
    1. PART NUMBER
    2. DAY OF THE YEAR
    3. SHIFT
    4. YEAR

INSPECTION NUMBER LOG LAST NUMBER USED: ADDED: REMOVED:
--

THIS DRAWING CONTAINS INFORMATION THAT IS PROPRIETARY TO MOLEX ELECTRONIC TECHNOLOGIES, LLC AND SHOULD NOT BE USED WITHOUT WRITTEN PERMISSION			
DIMENSION UNITS <b>MM</b>	SCALE <b>4:1</b>	CURRENT REV DESC: SEE REVISION TABLE	
GENERAL TOLERANCES (UNLESS SPECIFIED)		STATUS: Production	
ANGULAR TOL ±	3°	DRWN: Abhishek Gajare	2025-09-05
4 PLACES	±	CHK'D: Abhishek Gajare	2025-09-10
3 PLACES	±	APPR: SANDEEP S SIMHAN	2025-09-10
2 PLACES	± 0.100	DRAFT WHERE APPLICABLE MUST REMAIN WITHIN DIMENSIONS	
1 PLACE	± 0.20	THIRD ANGLE PROJECTION	DRAWING SERIES
0 PLACES	± 0.50		<b>D-SIZE 34899</b>
MATERIAL NUMBER		CUSTOMER	SHEET NUMBER
<b>SEE BOM</b>		<b>GENERAL MARKET</b>	<b>1 OF 11</b>

REV	DESCRIPTION
1	INITIAL RELEASE
2	UPDATED PACKAGING DIMENSIONS
3	MINOR BOM CORRECTIONS
4	1X3 INLINE ASSY VIEWS ADDED
5	1X3 BOM UPDATED
6	ADDED CLIP SLOT CONFIGURATIONS
A	ADDED BLACK PART# AND MINOR BOM UPDATES
A2	ADDED 1x3 11mm CLIP-SLOT PART #
A3	1x2, 1x3 NON-SIR PART# OK TO TOOL
A4	BOM CORRECTIONS AND UPDATES
A5	BOM CORRECTIONS AND UPDATES
A6	ADDED 40G CLIP-SLOT PART NUMBERS
A7	1X2,1X3 PART # UPDATED TO "TOOLED BUT NOT VALIDATED"
A8	1X2 40G CLIP-SLOT OK TO TOOL
A9	1X2,1X3 PART # STATUS UPDATED
A10	1X2,1X3 WIRE DRESS FEATURES OK TO TOOL
A11	CORRECTED REVISION LOG
A12	1X2 KEYS A&B W/ WDC SALEABLE
A13	1x3 KEY A&B SALEABLE (NON 40G)
A14	CORRECTED CHARTED DIMENSION 3 FOR 1X3 11MM CLIPSLOT
A15	- NX-REMASTERING FROM MODEL MANAGER - 1x2 KEY C MOVED TO SALEABLE - 1X3 WDC INTERFACE 2 PART NUMBERS UPDATED TO MATCH E-DRAWING
A16	CHANGED PNs TO OBSOLETE STATUS
A17	NOTE ADDED ON PRESENCE OF SHARKFINS
B	PART NUMBERS OBSOLETE
B1	REMOVED OBSOLETE PART NUMBERS PER PCN #513405
B2	MINOR UPDATES TO 3-CKT BOM TABLE
C	ADDED BLUE RESIN HOUSING PART NUMBERS & UPDATED THE DIMENSION WDC2-10
C1	UPDATED DIM WDC2-8 (0.35 TO 0.65)FOR 3-CKT OBSOLETE 34899-3020

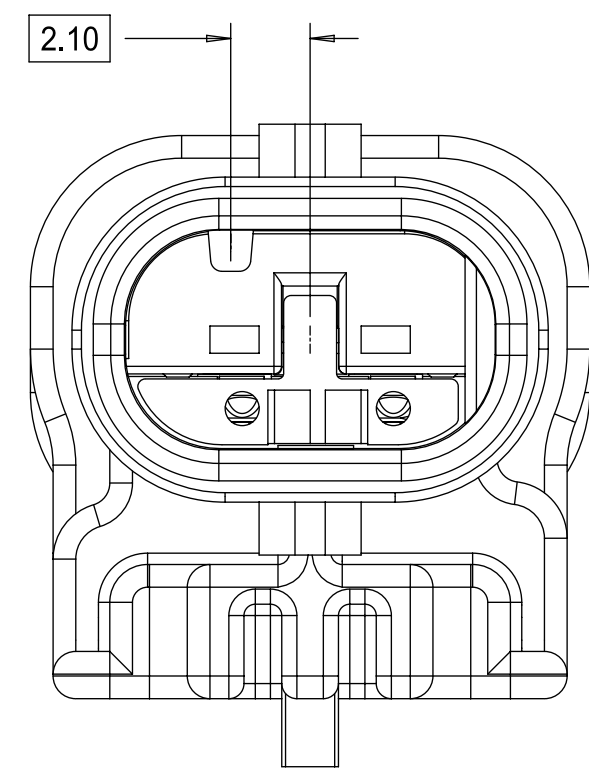
**molex**

1.2MM 1X2, 1X3 BLADE  
MINOR UPDATES TO 3-CKT BOM

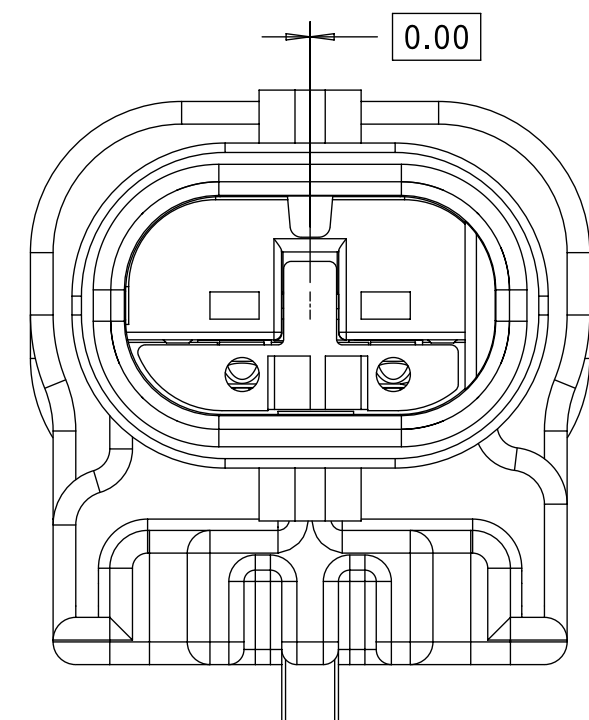
PRODUCT CUSTOMER DRAWING

DOCUMENT NUMBER	DOC TYPE	DOC PART	REVISION
<b>SD-34899-2001</b>	<b>PSD</b>	<b>001</b>	<b>C1</b>

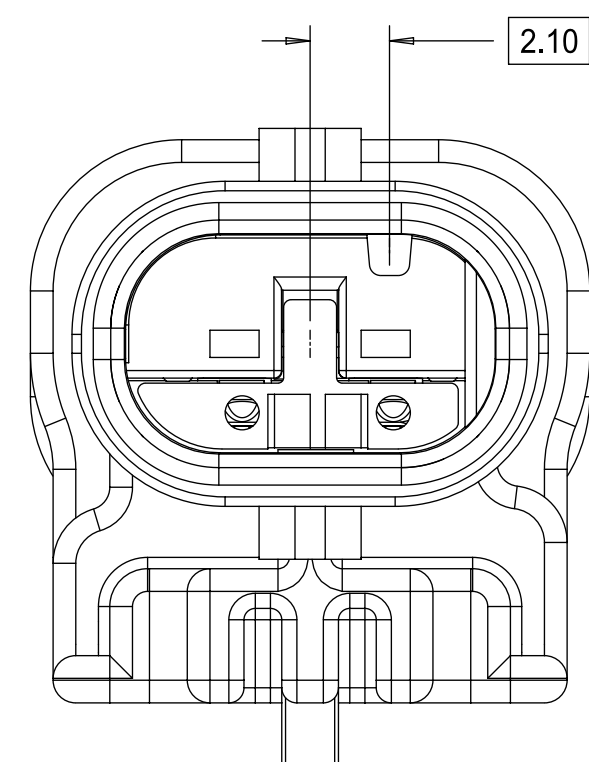
1x2 BLADE SEALED ASSEMBLY KEYING CONFIGURATIONS. FOR PART NUMBERS REFER TO BOM SHEET.



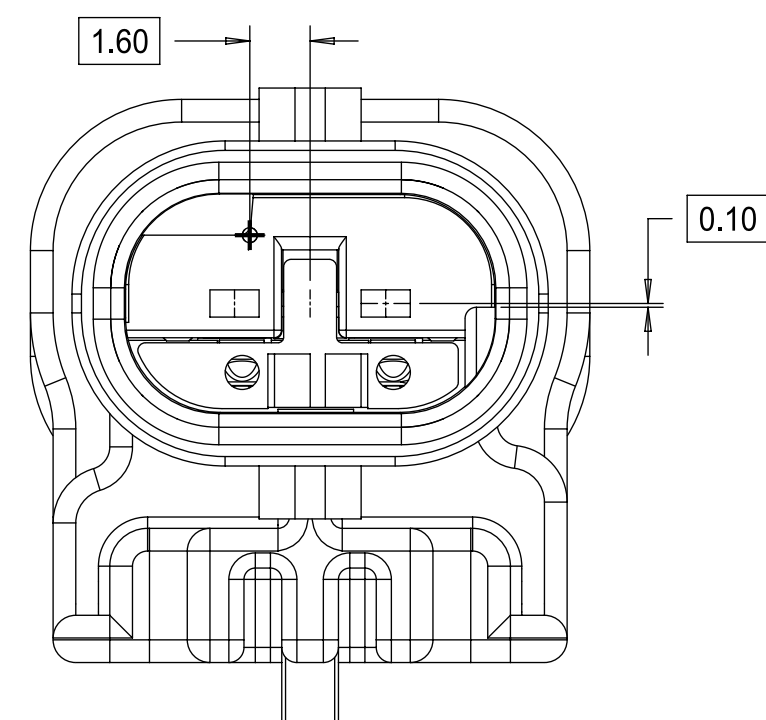
KEYING OPTION A



KEYING OPTION B



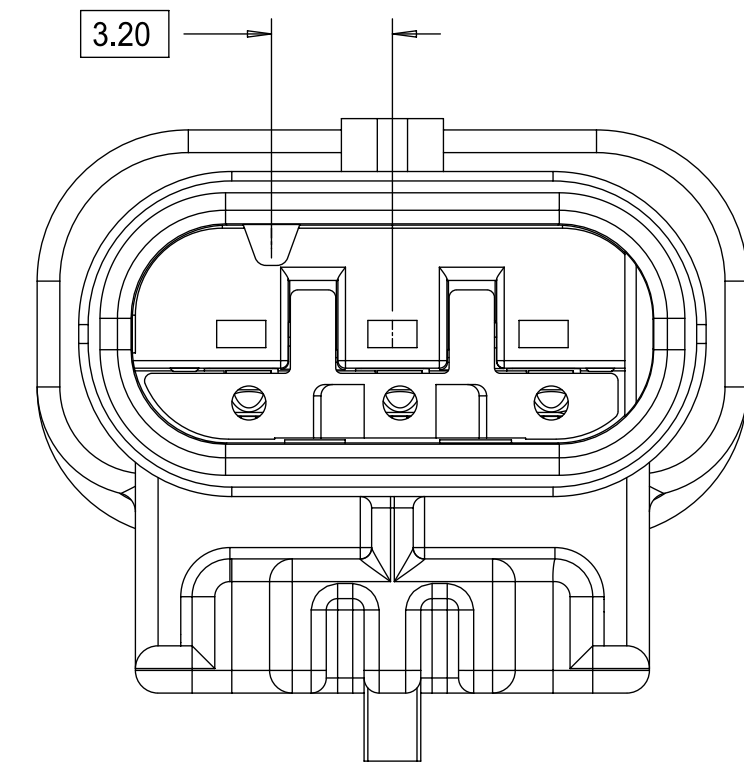
KEYING OPTION C



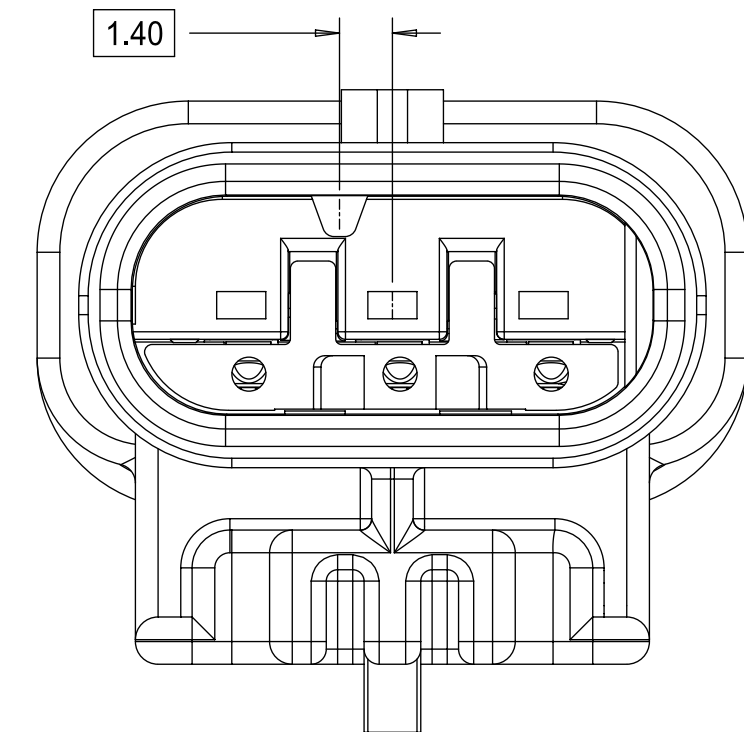
KEYING OPTION E

THIS DRAWING CONTAINS INFORMATION THAT IS PROPRIETARY TO MOLEX ELECTRONIC TECHNOLOGIES, LLC AND SHOULD NOT BE USED WITHOUT WRITTEN PERMISSION									
DIMENSION UNITS	SCALE	CURRENT REV DESC: SEE REVISION TABLE							
MM	5:1	<div style="text-align: center; font-size: 24pt; font-weight: bold;">molex</div> <p>1.2MM 1X2, 1X3 BLADE MINOR UPDATES TO 3-CKT BOM</p> <p>PRODUCT CUSTOMER DRAWING</p>							
GENERAL TOLERANCES (UNLESS SPECIFIED)									
ANGULAR TOL	± 3°								
4 PLACES	±								
3 PLACES	±								
2 PLACES	± 0.100								
1 PLACE	± 0.20	STATUS: Production	2025-09-05	DOCUMENT NUMBER	DOC TYPE	DOC PART	REVISION		
0 PLACES	± 0.50	DRWN: Abhishek Gajare	2025-09-10	SD-34899-2001	PSD	001	C1		
DRAFT WHERE APPLICABLE MUST REMAIN WITHIN DIMENSIONS		THIRD ANGLE PROJECTION	DRAWING	SERIES	MATERIAL NUMBER	CUSTOMER	SHEET NUMBER		
			D-SIZE	34899	SEE BOM	GENERAL MARKET	2 OF 11		

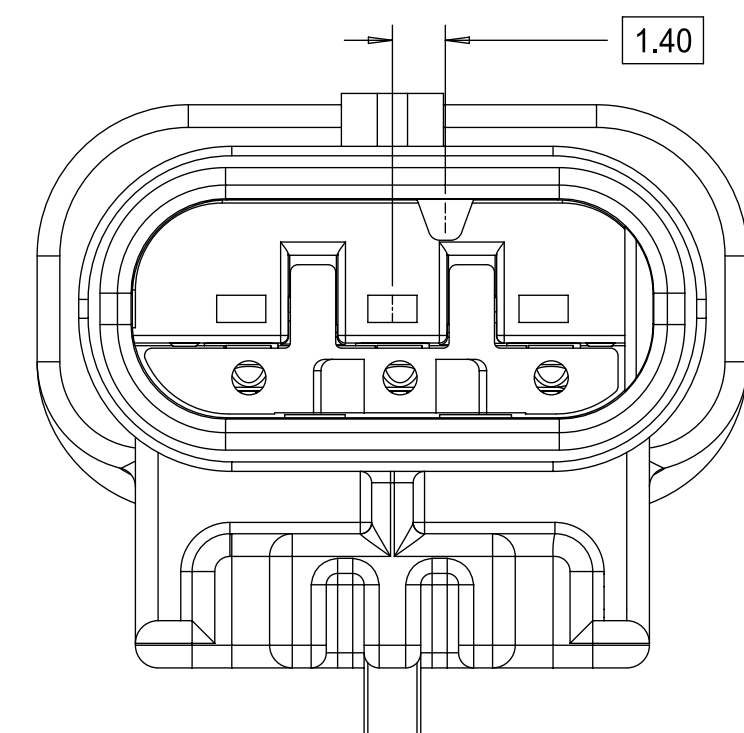
1x3 BLADE SEALED ASSEMBLY KEYING CONFIGURATIONS. FOR PART NUMBERS REFER TO BOM SHEET.



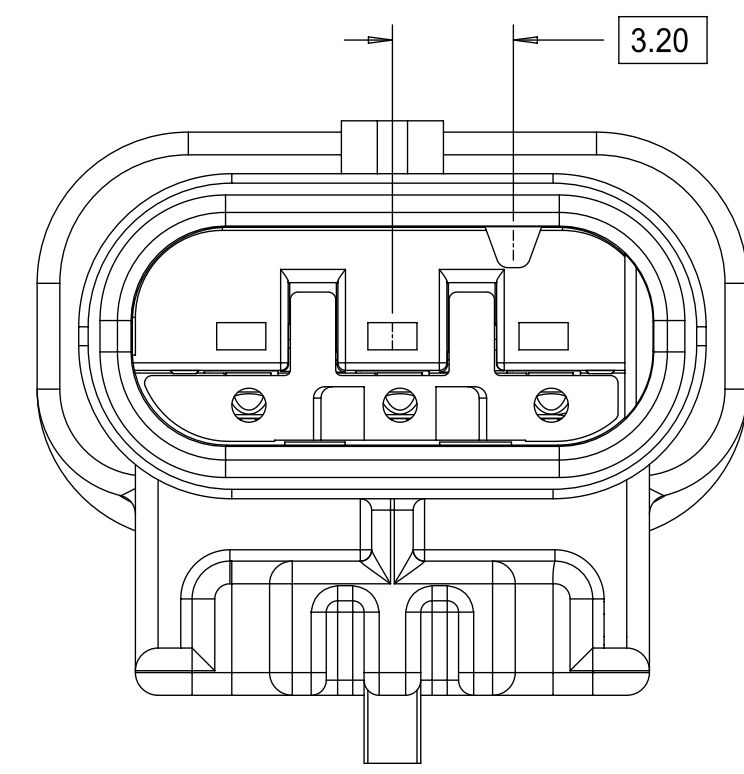
KEYING OPTION A





KEYING OPTION B



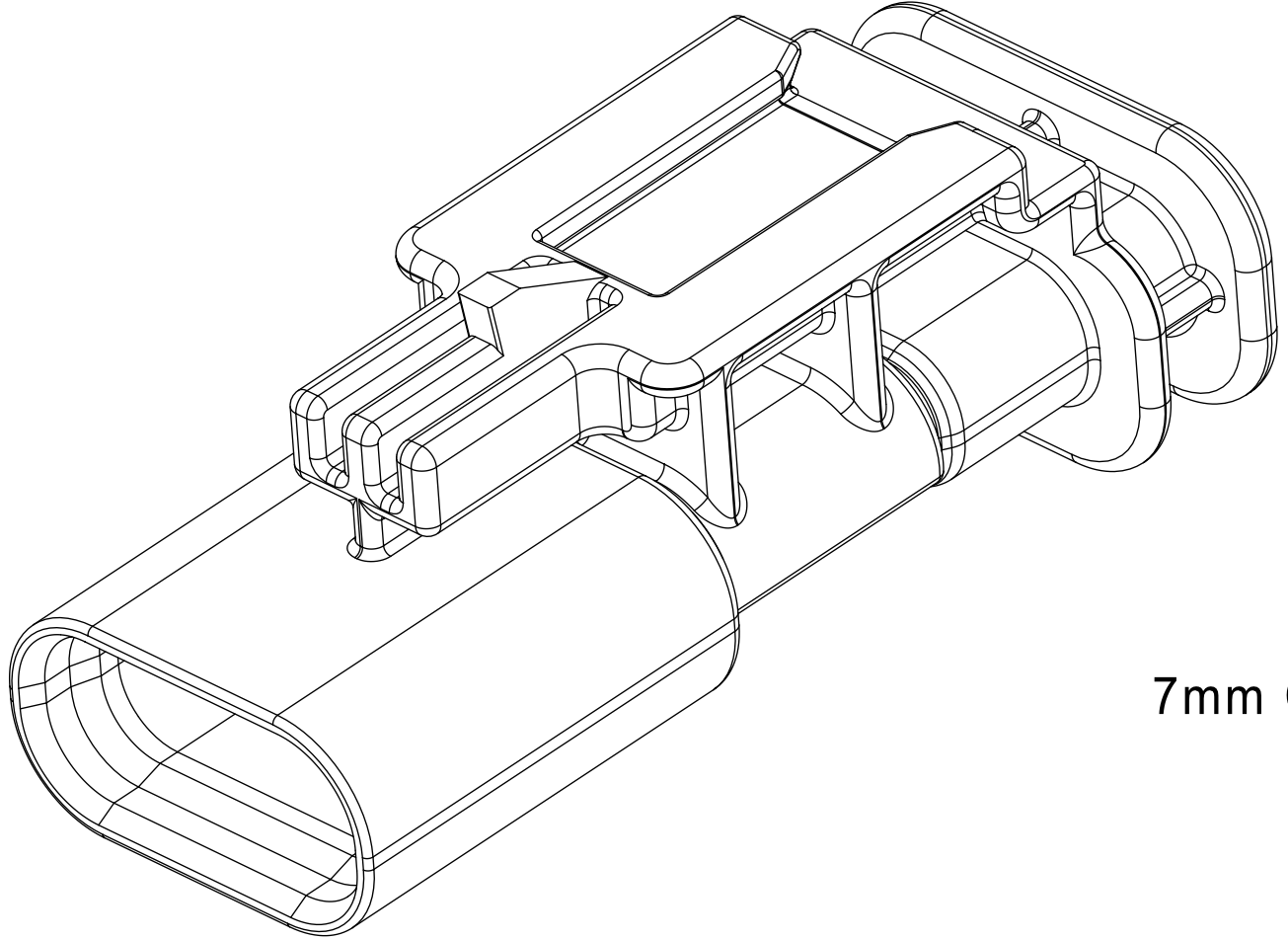
KEYING OPTION C



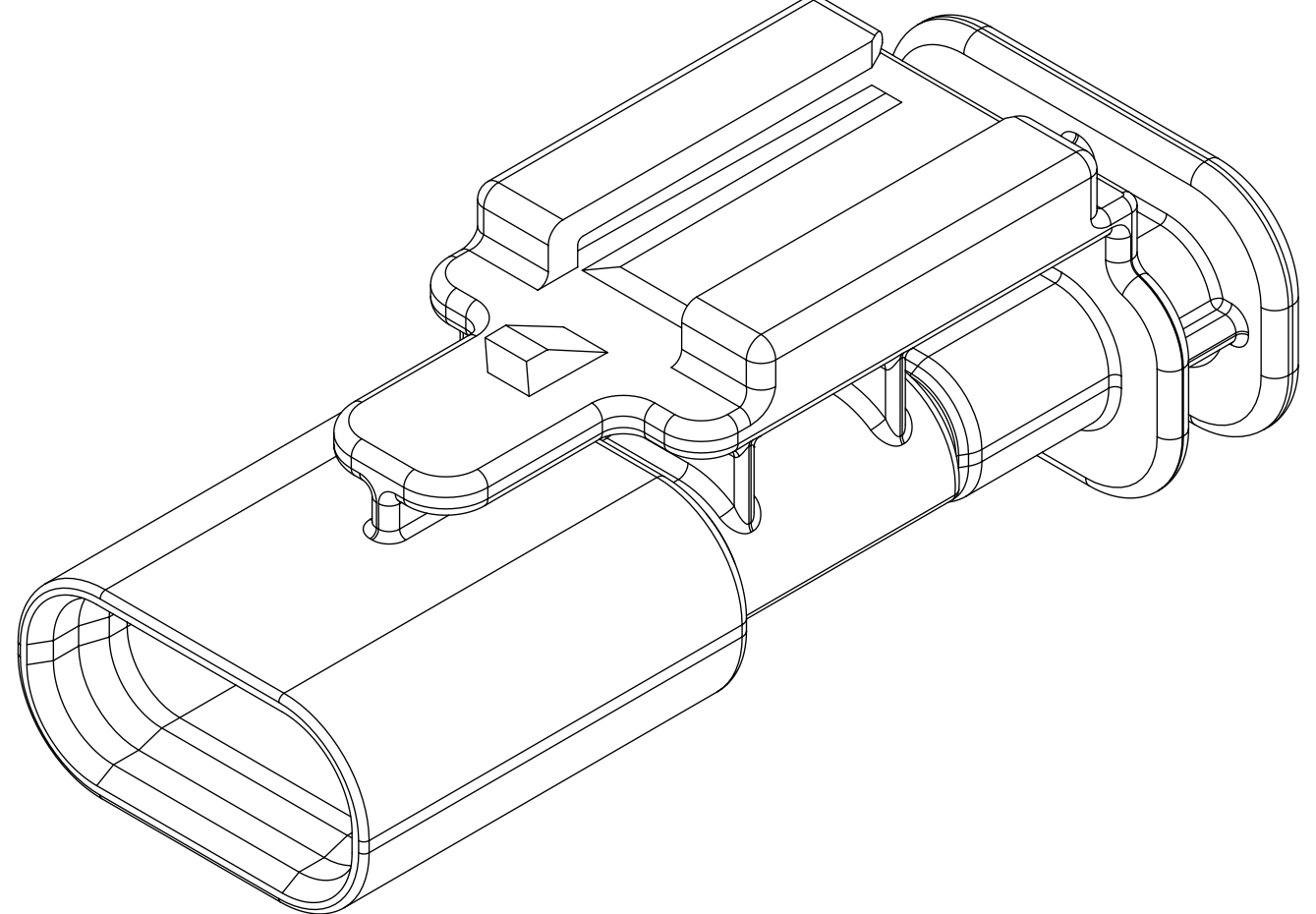
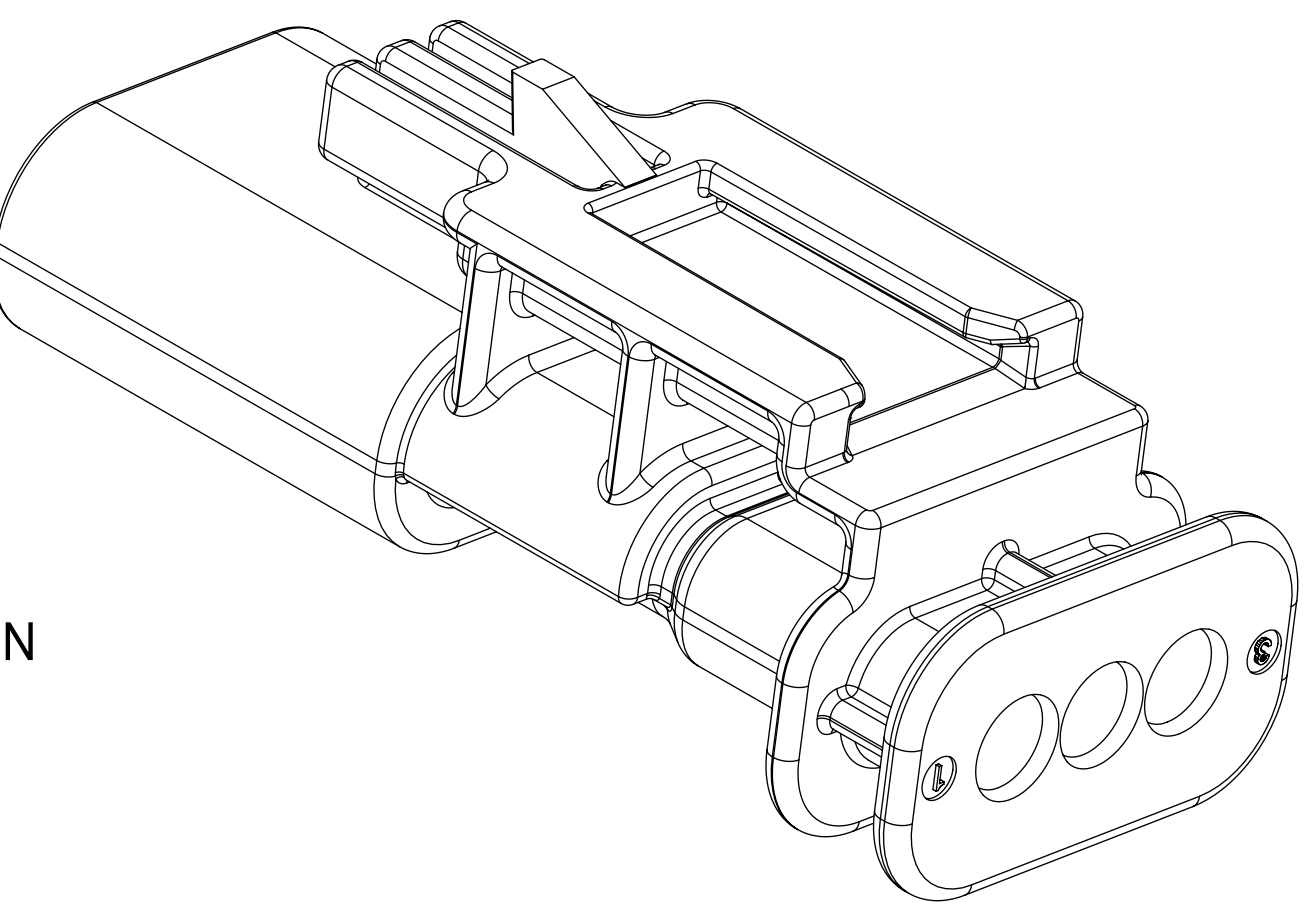
KEYING OPTION D

THIS DRAWING CONTAINS INFORMATION THAT IS PROPRIETARY TO MOLEX ELECTRONIC TECHNOLOGIES, LLC AND SHOULD NOT BE USED WITHOUT WRITTEN PERMISSION									
DIMENSION UNITS	SCALE	CURRENT REV DESC: SEE REVISION TABLE							
MM	5:1	 1.2MM 1X2, 1X3 BLADE MINOR UPDATES TO 3-CKT BOM PRODUCT CUSTOMER DRAWING							
GENERAL TOLERANCES (UNLESS SPECIFIED)									
ANGULAR TOL	± 3°								
4 PLACES	±								
3 PLACES	±								
2 PLACES	± 0.100	STATUS: Production	2025-09-05		DOCUMENT NUMBER				
1 PLACE	± 0.20	DRWN: Abhishek Gajare	2025-09-10		SD-34899-2001		DOC TYPE	DOC PART	REVISION
0 PLACES	± 0.50	CHK'D: Abhishek Gajare	2025-09-10		001		PSD	001	C1
DRAFT WHERE APPLICABLE MUST REMAIN WITHIN DIMENSIONS		APPR: SANDEEP S SIMHAN	2025-09-10		34899		MATERIAL NUMBER		CUSTOMER
THIRD ANGLE PROJECTION		DRAWING		SERIES	SEE BOM		GENERAL MARKET		SHEET NUMBER
		D-SIZE		3 OF 11					

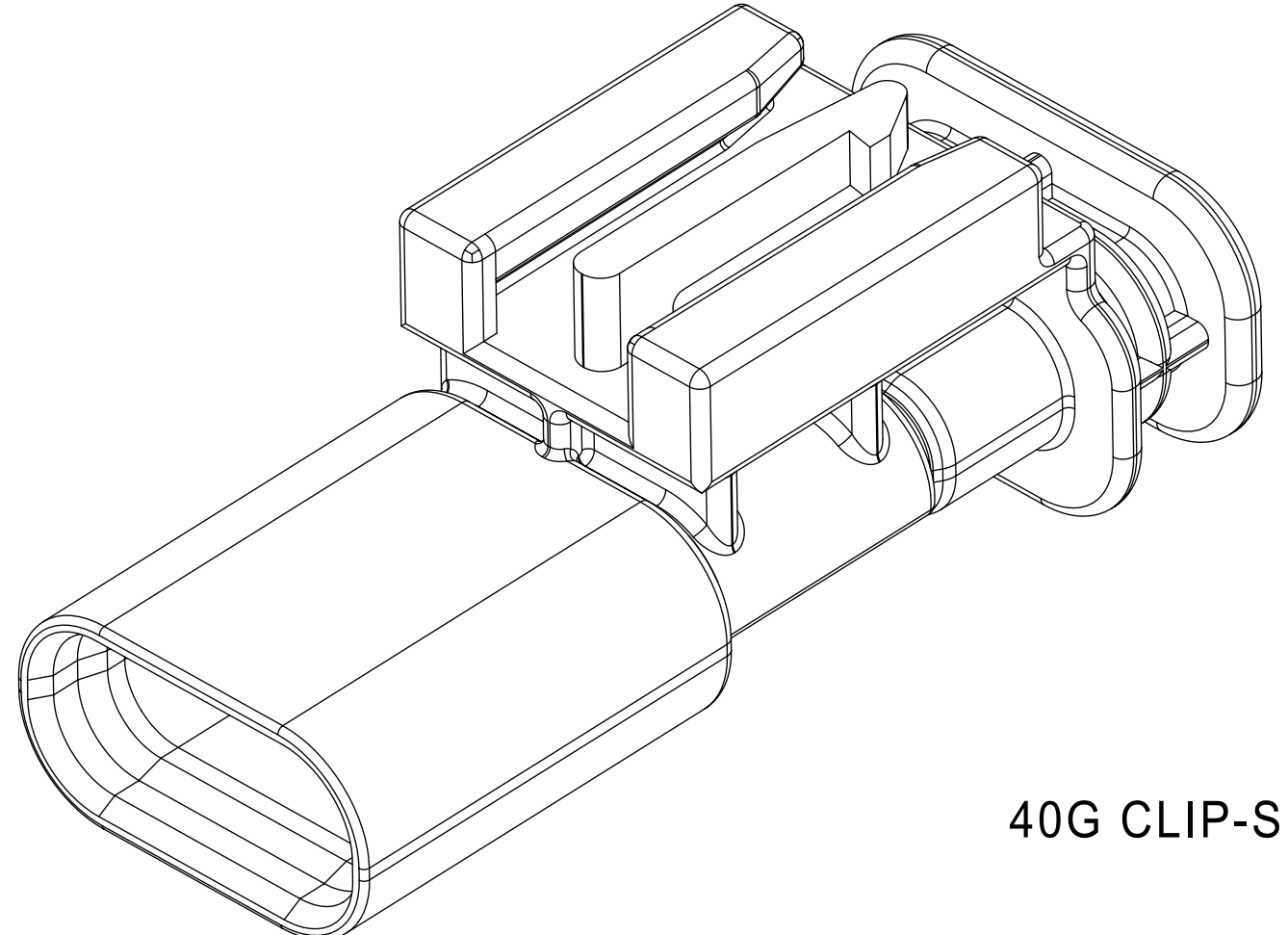
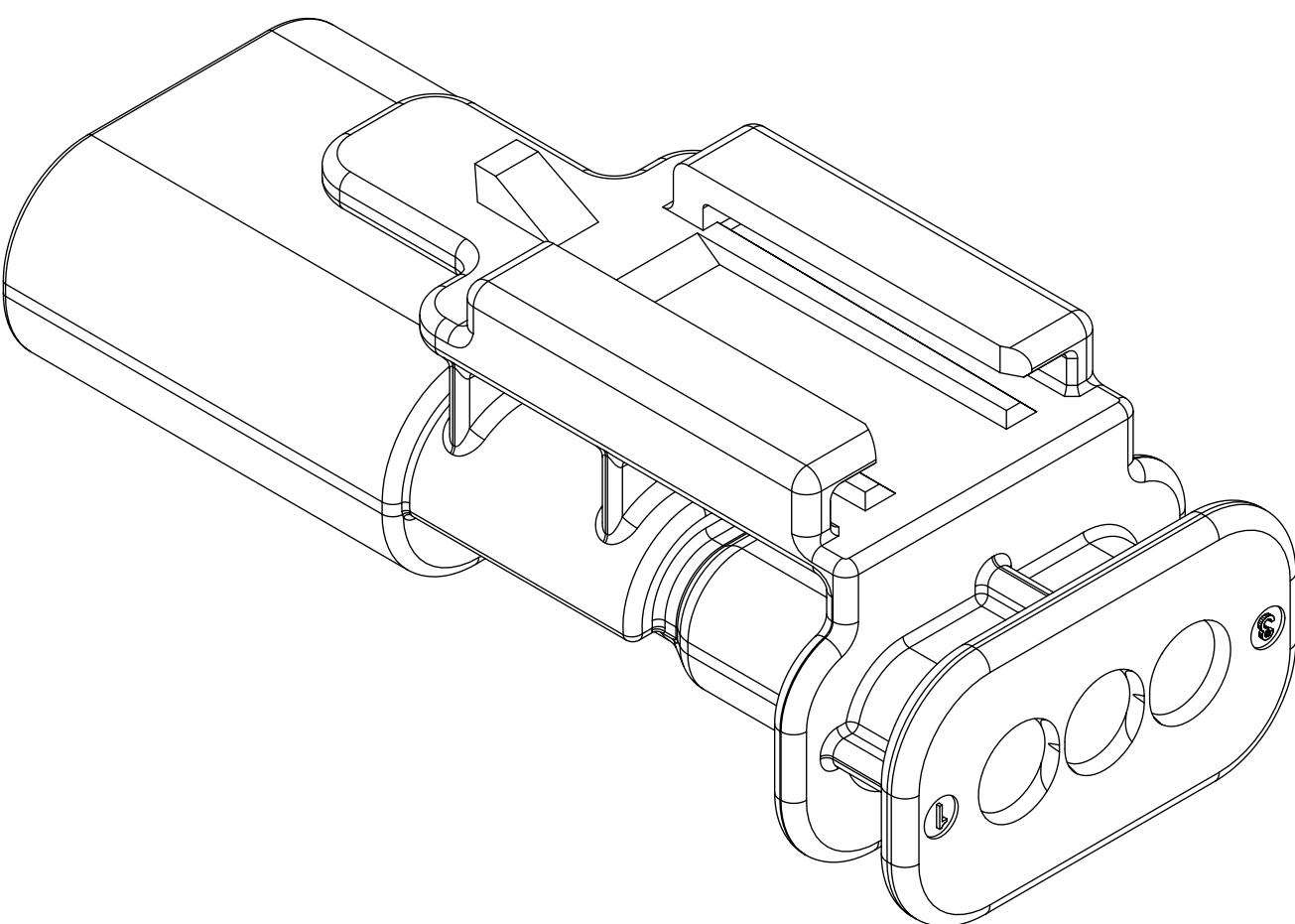
CLIP-SLOT CONFIGURATIONS. FOR PART NUMBERS REFER TO BOM SHEET.



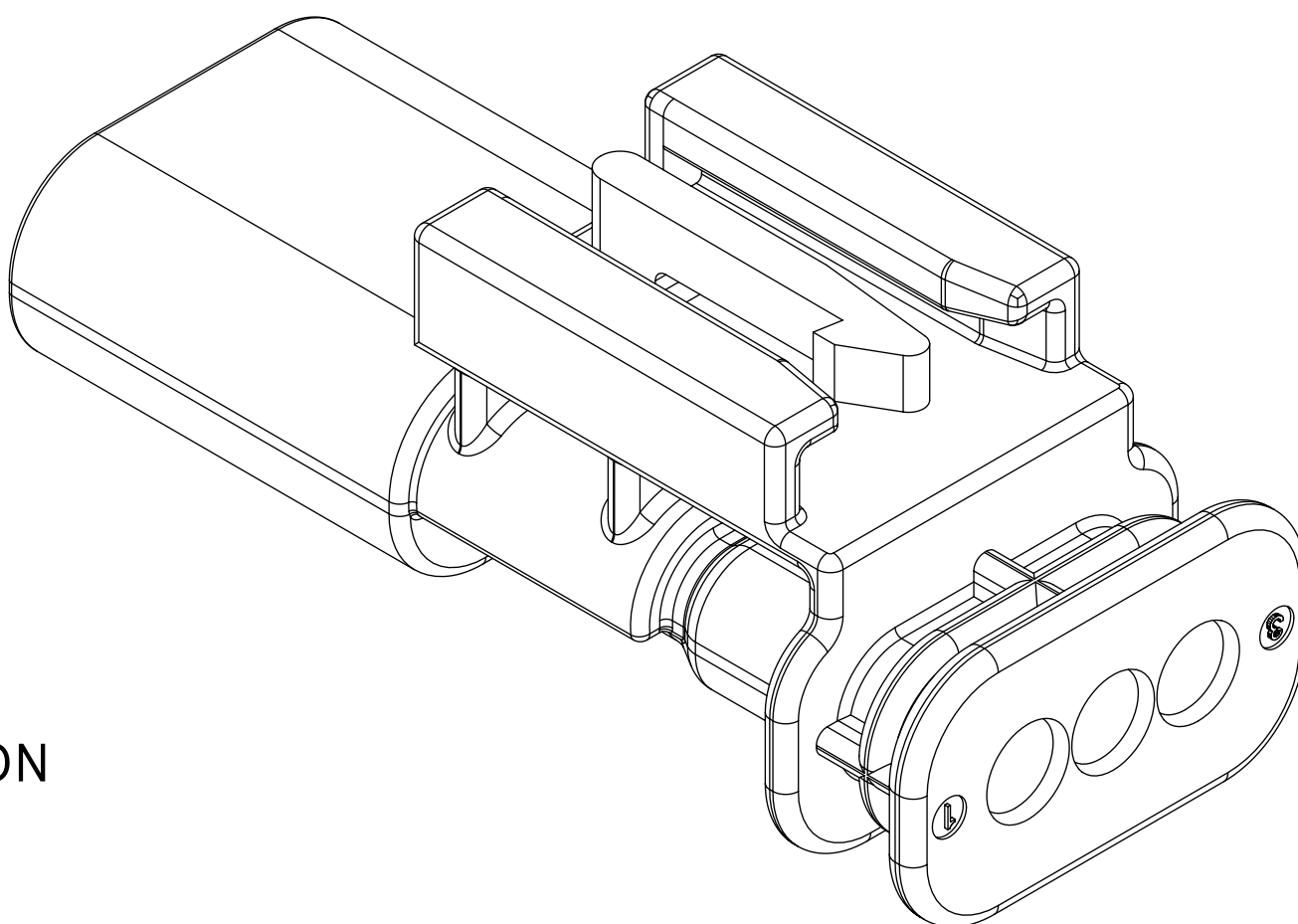
7mm CLIP-SLOT OPTION



11mm CLIP-SLOT OPTION

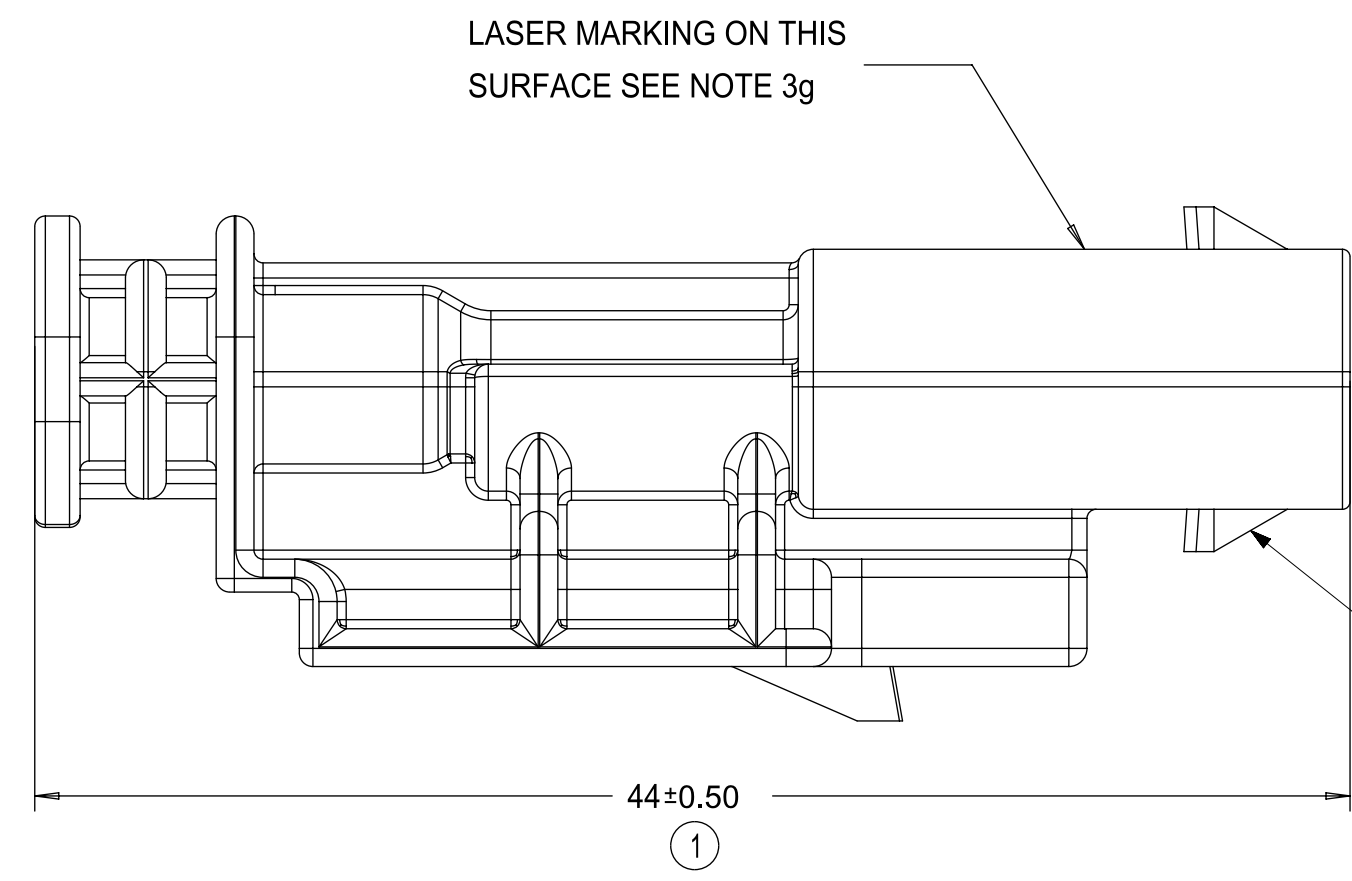


40G CLIP-SLOT OPTION

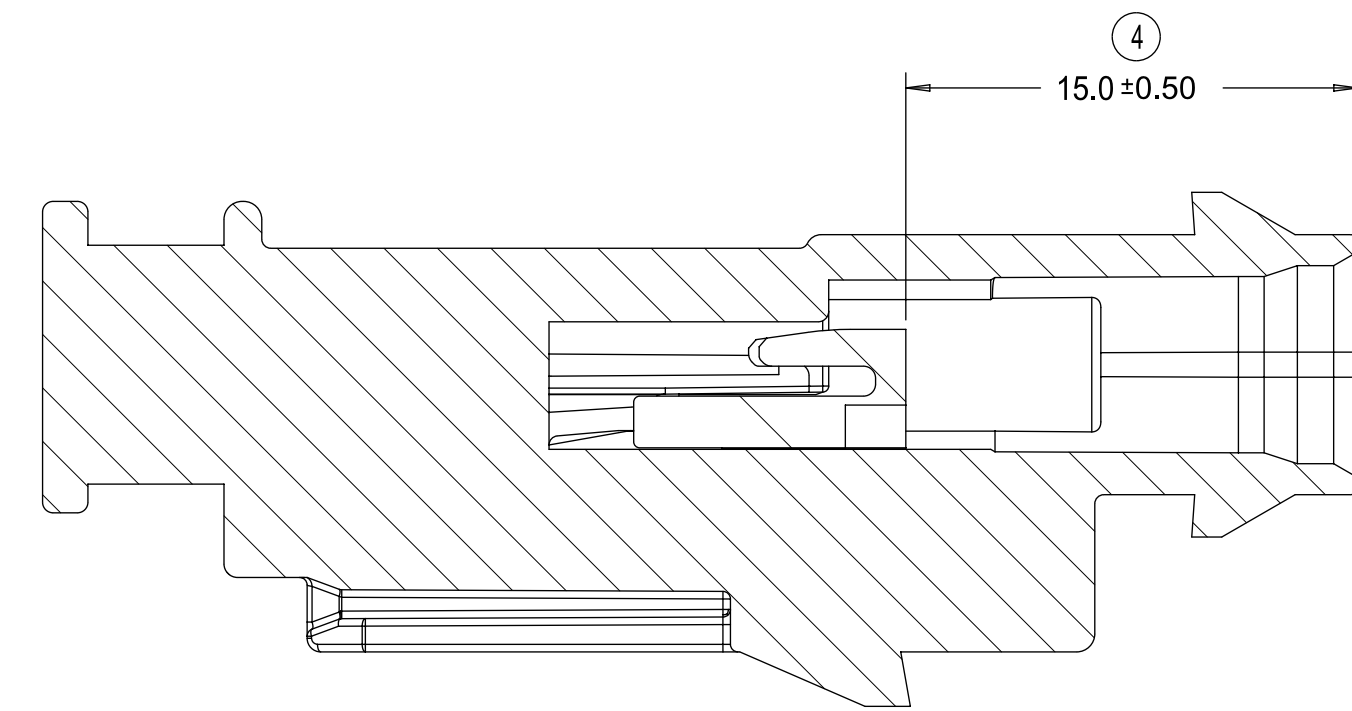
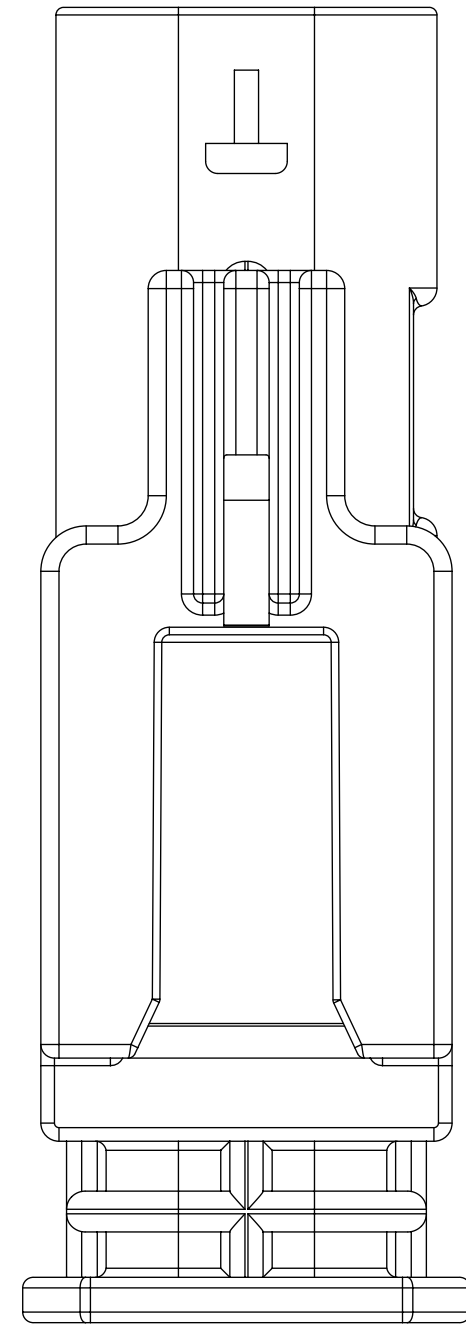
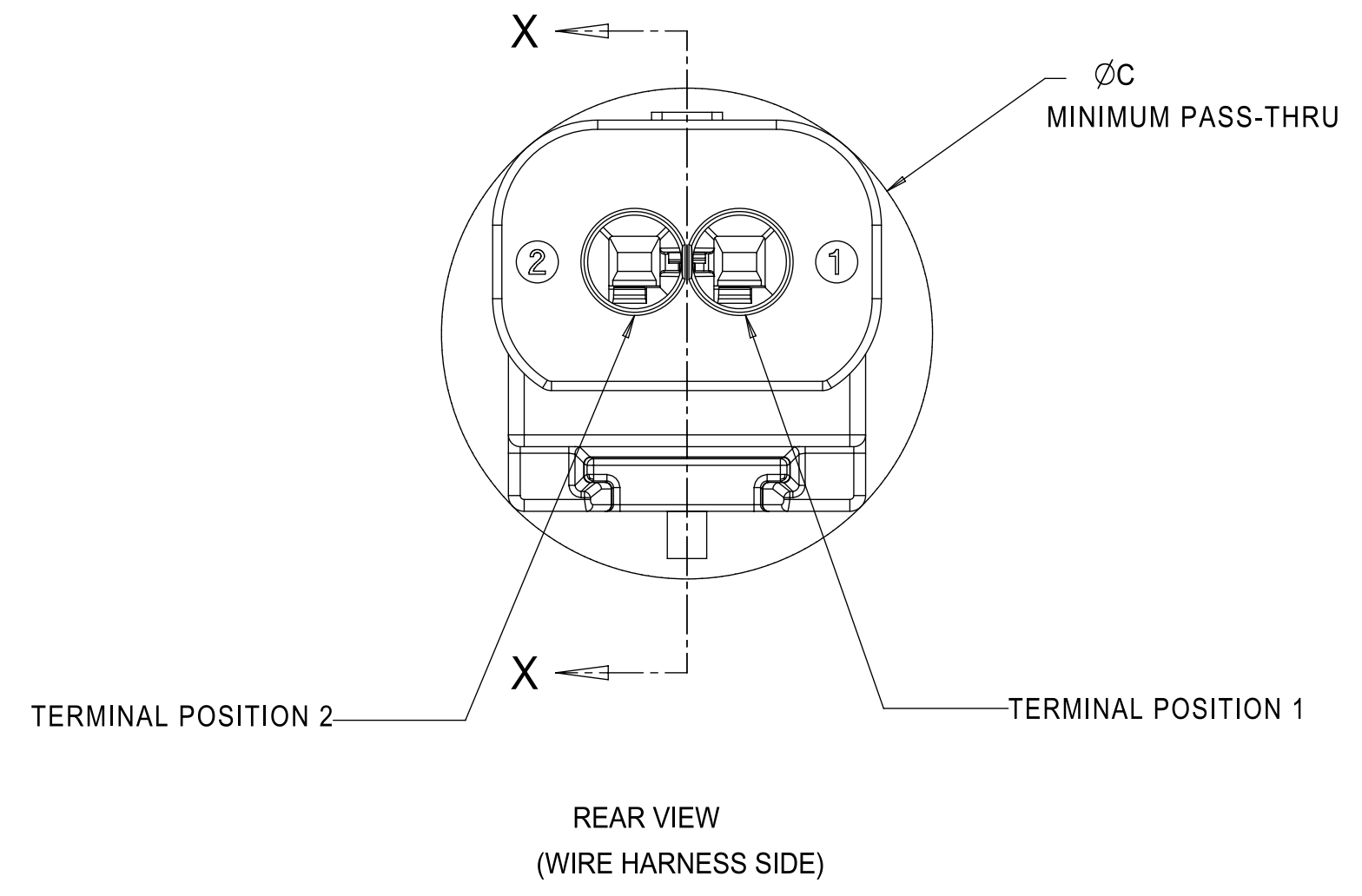
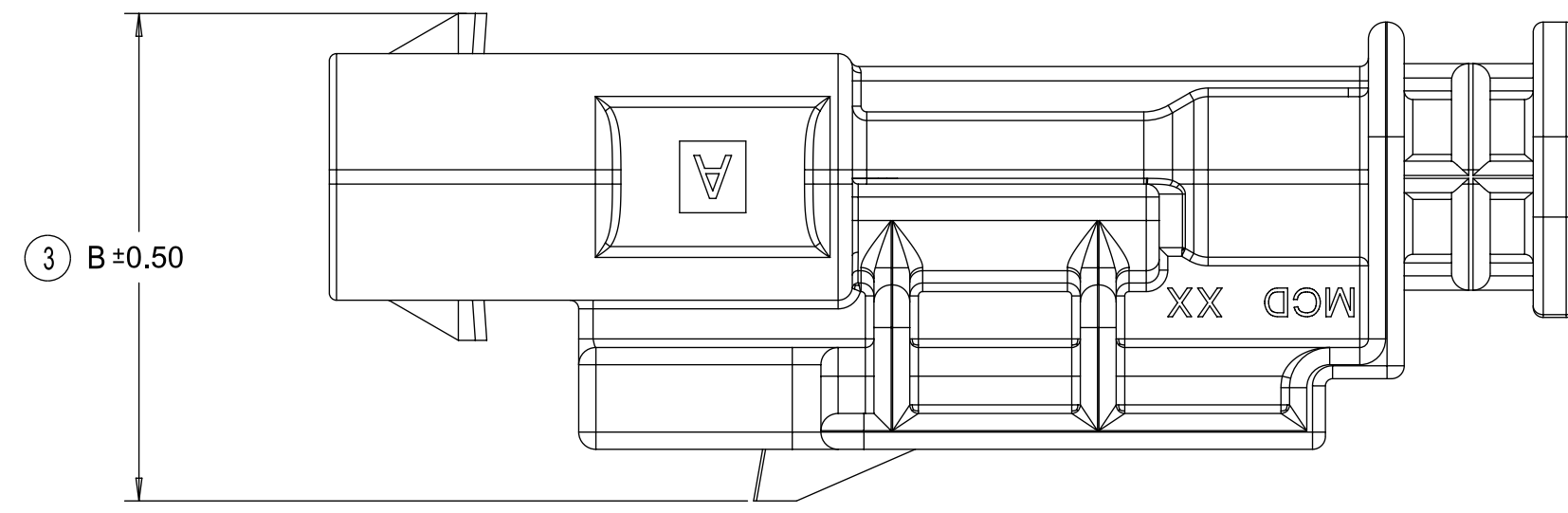
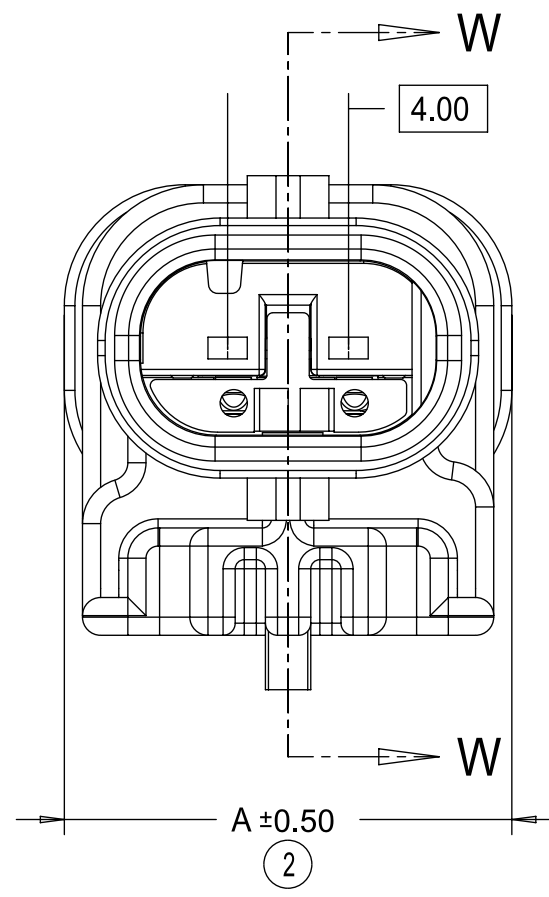


THIS DRAWING CONTAINS INFORMATION THAT IS PROPRIETARY TO MOLEX ELECTRONIC TECHNOLOGIES, LLC AND SHOULD NOT BE USED WITHOUT WRITTEN PERMISSION																	
DIMENSION UNITS		SCALE		CURRENT REV DESC: SEE REVISION TABLE													
MM		4:1		<p><b>molex</b></p> <p>1.2MM 1X2, 1X3 BLADE MINOR UPDATES TO 3-CKT BOM</p> <p>PRODUCT CUSTOMER DRAWING</p> <table border="1"> <tr> <td>DOCUMENT NUMBER</td> <td>DOC TYPE</td> <td>DOC PART</td> <td>REVISION</td> </tr> <tr> <td>SD-34899-2001</td> <td>PSD</td> <td>001</td> <td>C1</td> </tr> </table>						DOCUMENT NUMBER	DOC TYPE	DOC PART	REVISION	SD-34899-2001	PSD	001	C1
DOCUMENT NUMBER	DOC TYPE	DOC PART	REVISION														
SD-34899-2001	PSD	001	C1														
GENERAL TOLERANCES (UNLESS SPECIFIED)																	
ANGULAR TOL ± 3°																	
4 PLACES		±															
3 PLACES		±															
2 PLACES		± 0.100															
1 PLACE		± 0.20															
0 PLACES		± 0.50															
DRAFT WHERE APPLICABLE MUST REMAIN WITHIN DIMENSIONS				THIRD ANGLE PROJECTION		DRAWING		SERIES									
						D-SIZE		34899									
				MATERIAL NUMBER		CUSTOMER		SHEET NUMBER									
				SEE BOM		GENERAL MARKET		4 OF 11									
				STATUS: Production		2025-09-05											
				DRWN: Abhishek Gajare		2025-09-10											
				CHK'D: Abhishek Gajare		2025-09-10											
				APPR: SANDEEP S SIMHAN		2025-09-10											

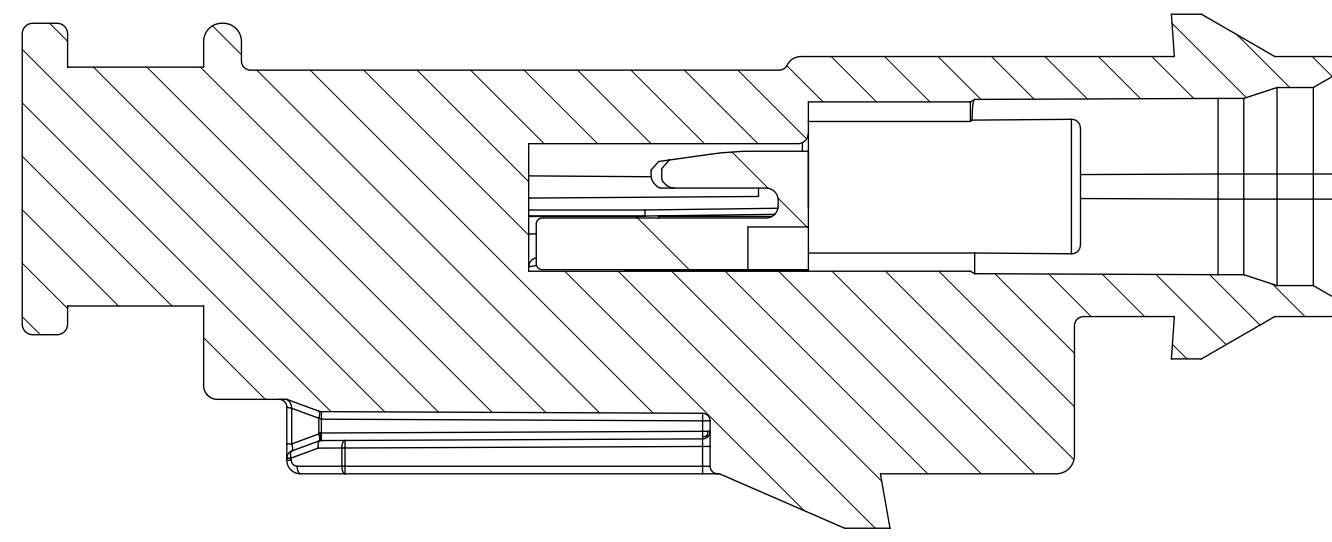
BLADE SEALED ASSEMBLY



SECOND SHARKFIN ONLY PRESENT ON 1X2 PNs



PRIMARY LOCK REINFORCEMENT (PLR) SHOWN IN THE PRE-STAGED POSITION  
SECTION W-W



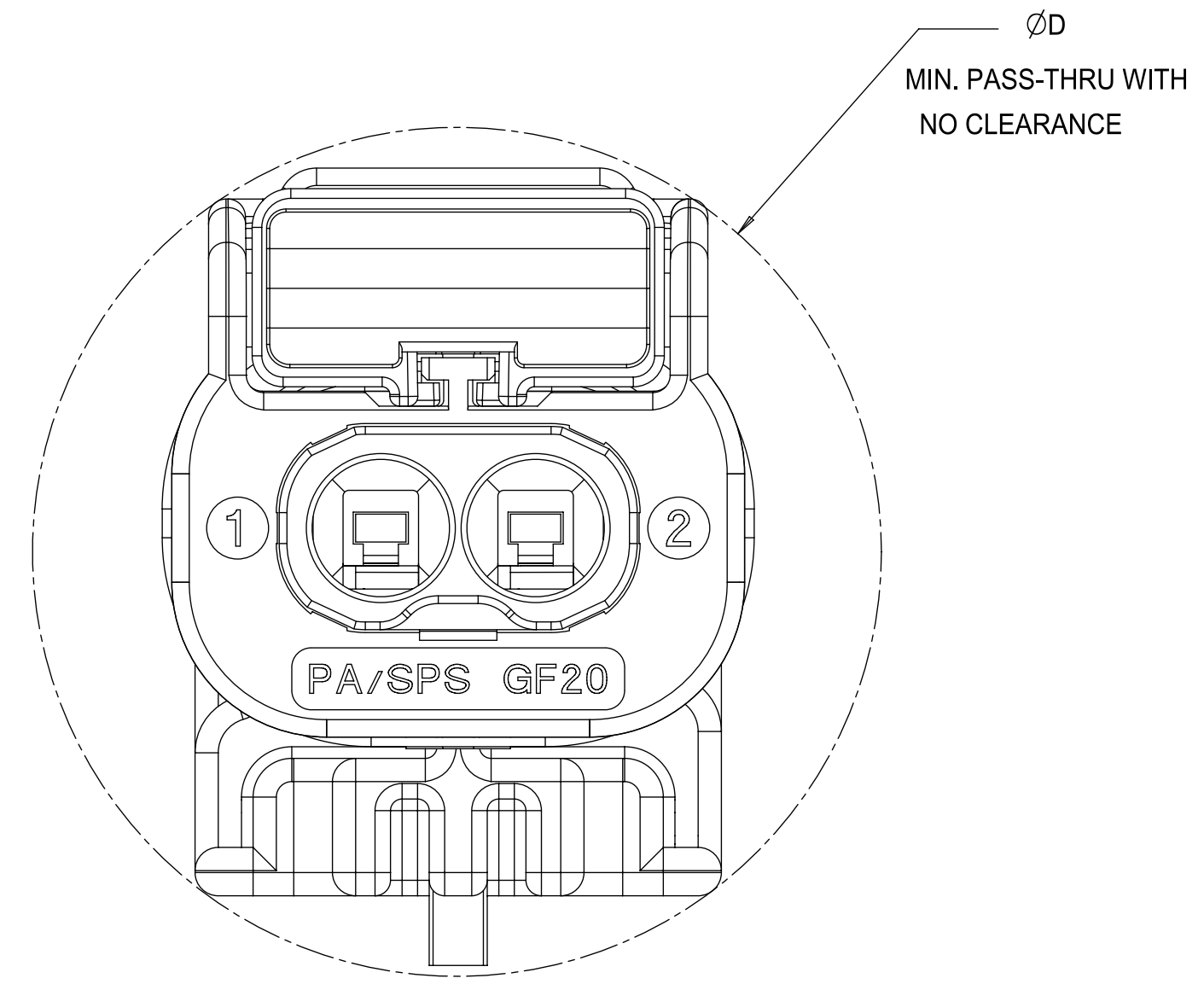
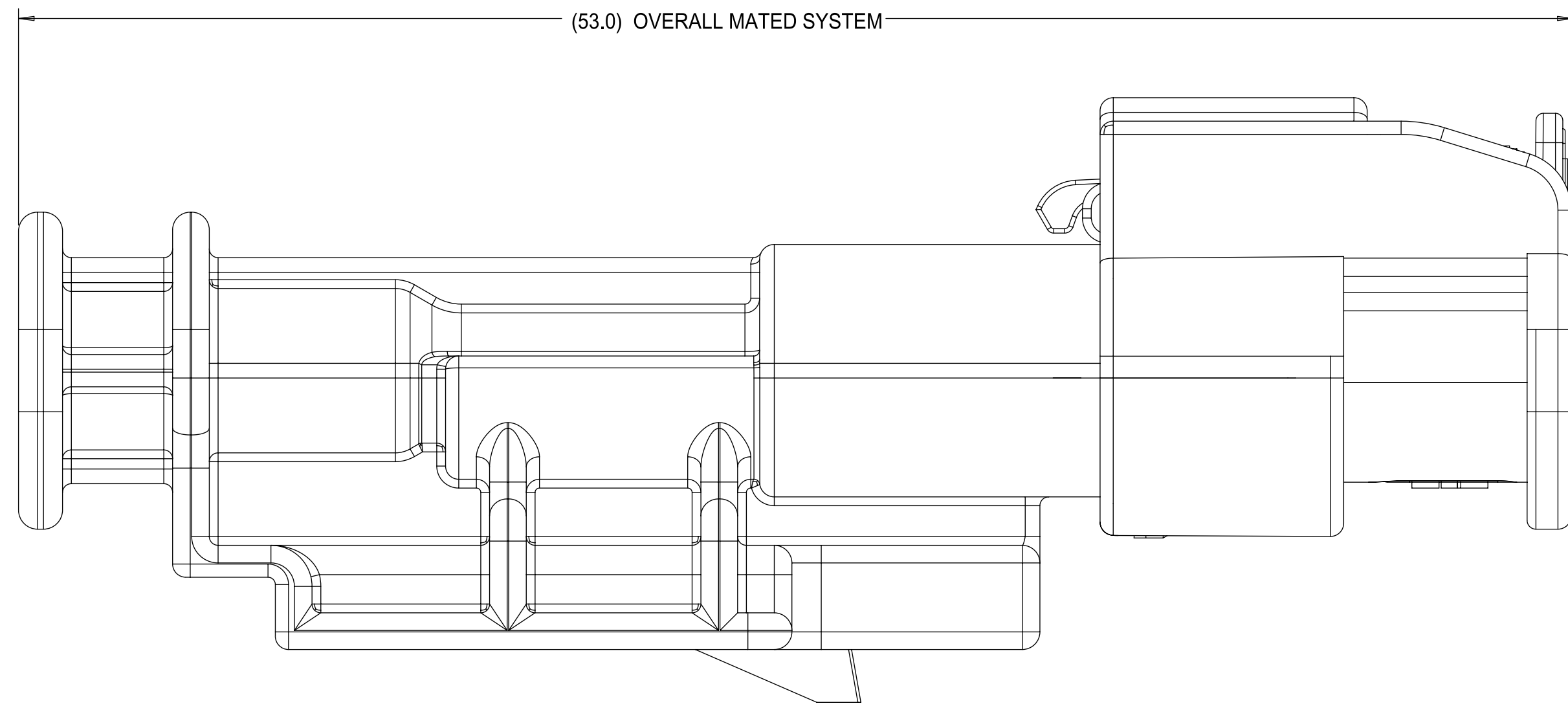
PRIMARY LOCK REINFORCEMENT (PLR) SHOWN IN THE FINAL-LOCK POSITION  
SECTION X-X

1x3 BLADE SEALED ASSEMBLY, 40G CLIP SLOT	19	16.75	21.75
1x3 BLADE SEALED ASSEMBLY, 11mm CLIP SLOT	19	14.6	20.75
1x3 BLADE SEALED ASSEMBLY, 7mm CLIP SLOT	19	17	20.5
1x2 BLADE SEALED ASSEMBLY, 40G CLIP SLOT	15	16.75	20.25
1x2 BLADE SEALED ASSEMBLY, 11mm CLIP SLOT	15	15.5	19
1x2 BLADE SEALED ASSEMBLY, 7mm CLIP SLOT	15	17	18.75
CONFIGURATION	A	B	C
CHARTED DIMENSIONS			

THIS DRAWING CONTAINS INFORMATION THAT IS PROPRIETARY TO MOLEX ELECTRONIC TECHNOLOGIES, LLC AND SHOULD NOT BE USED WITHOUT WRITTEN PERMISSION

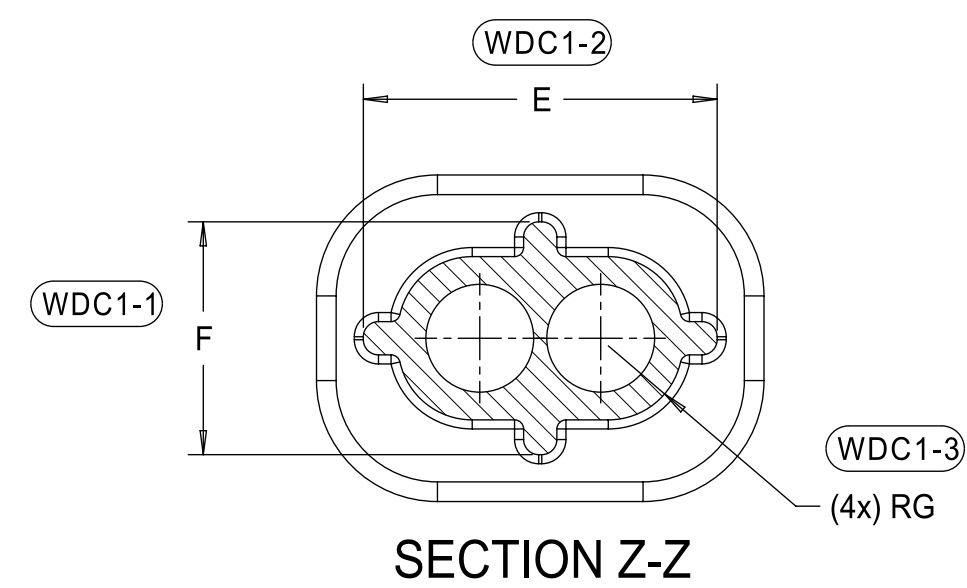
DIMENSION UNITS	SCALE	CURRENT REV DESC: SEE REVISION TABLE					
MM	4:1	<p>1.2MM 1X2, 1X3 BLADE MINOR UPDATES TO 3-CKT BOM</p> <p>PRODUCT CUSTOMER DRAWING</p>					
GENERAL TOLERANCES (UNLESS SPECIFIED)							
ANGULAR TOL	± 3°						
4 PLACES	±						
3 PLACES	±						
2 PLACES	± 0.100						
1 PLACE	± 0.20	STATUS: Production	2025-09-05	DOCUMENT NUMBER	DOC TYPE	DOC PART	REVISION
0 PLACES	± 0.50	DRWN: Abhishek Gajare	2025-09-10	SD-34899-2001	PSD	001	C1
DRAFT WHERE APPLICABLE MUST REMAIN WITHIN DIMENSIONS		APPR: SANDEEP S SIMHAN	2025-09-10	SERIES		SHEET NUMBER	
THIRD ANGLE PROJECTION		DRAWING	D-SIZE	34899	MATERIAL NUMBER	CUSTOMER	5 OF 11
				SEE BOM	GENERAL MARKET		

# CONNECTION SYSTEM PACKAGING



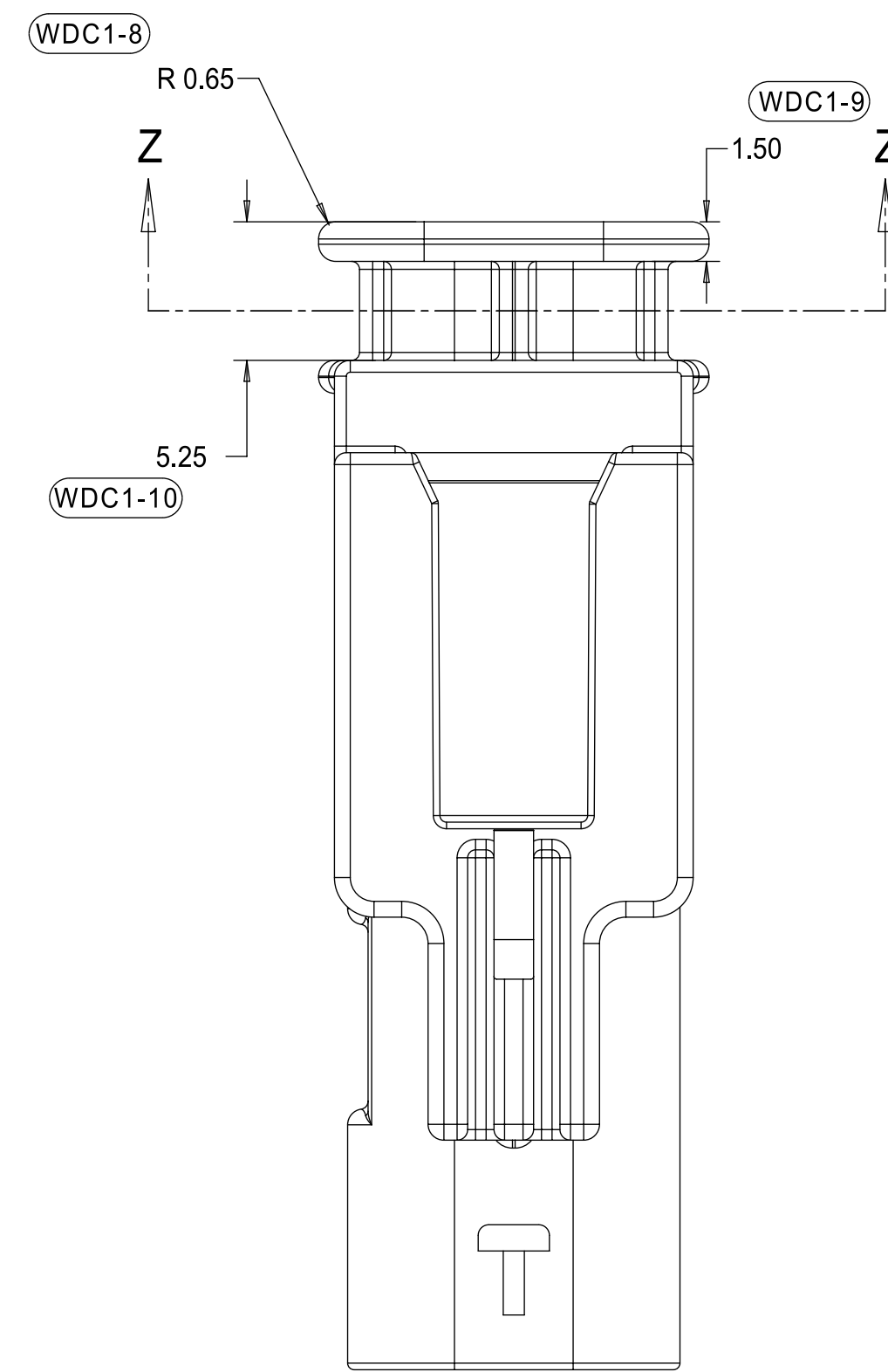
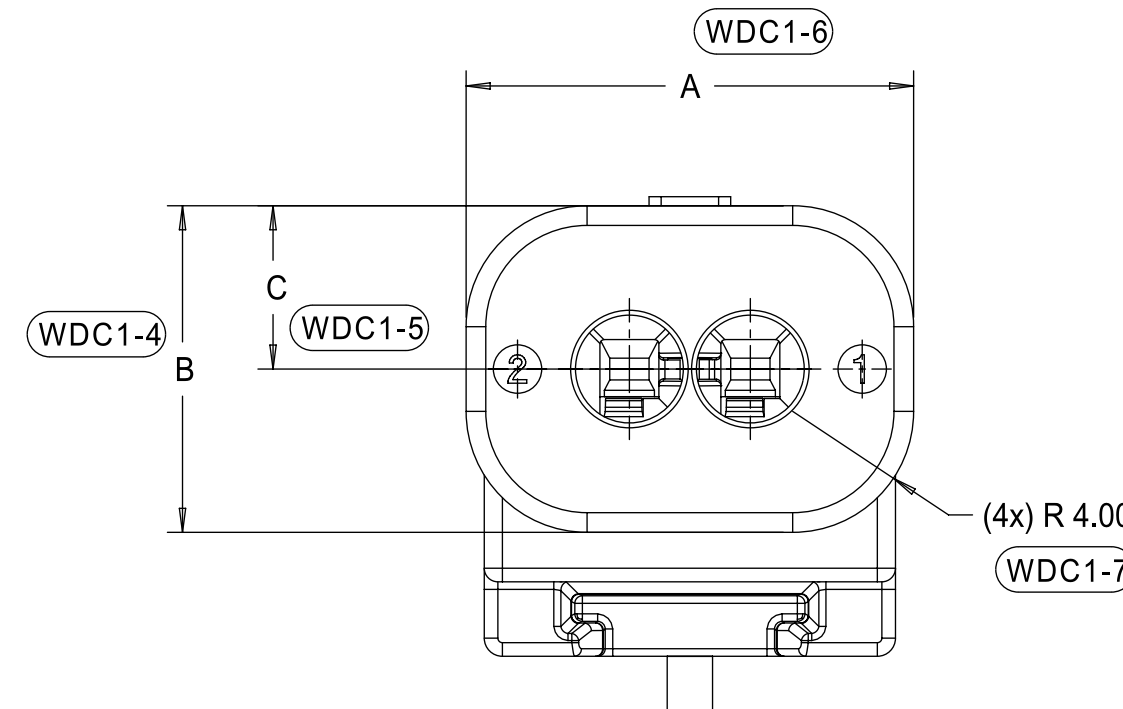
1x3 RECEPTACLE MATED TO 1x3 BLADE, 40 CLIP SLOT	TBD
1x3 RECEPTACLE MATED TO 1x3 BLADE, 11mm CLIP SLOT	24.0
1x3 RECEPTACLE MATED TO 1x3 BLADE, 7mm CLIP SLOT	23.0
1x2 RECEPTACLE MATED TO 1x2 BLADE, 40G CLIP SLOT	23.0
1x2 RECEPTACLE MATED TO 1x2 BLADE, 11mm CLIP SLOT	23.0
1x2 RECEPTACLE MATED TO 1x2 BLADE, 7mm CLIP SLOT	23.0
1.2mm CONNECTION SYSTEM CONFIGURATION	D
<b>CHARTED DIMENSIONS</b>	

THIS DRAWING CONTAINS INFORMATION THAT IS PROPRIETARY TO MOLEX ELECTRONIC TECHNOLOGIES, LLC AND SHOULD NOT BE USED WITHOUT WRITTEN PERMISSION									
DIMENSION UNITS	SCALE	CURRENT REV DESC: SEE REVISION TABLE							
<b>MM</b>	<b>6:1</b>	<div style="text-align: center;"><b>molex</b></div> <p>1.2MM 1X2, 1X3 BLADE MINOR UPDATES TO 3-CKT BOM</p> <p>PRODUCT CUSTOMER DRAWING</p>							
GENERAL TOLERANCES (UNLESS SPECIFIED)									
ANGULAR TOL	± 3°								
4 PLACES	±								
3 PLACES	±								
2 PLACES	± 0.100								
1 PLACE	± 0.20	STATUS: Production	2025-09-05	DOCUMENT NUMBER	DOC TYPE	DOC PART	REVISION		
0 PLACES	± 0.50	DRWN: Abhishek Gajare	2025-09-10	<b>SD-34899-2001</b>	PSD	001	<b>C1</b>		
DRAFT WHERE APPLICABLE MUST REMAIN WITHIN DIMENSIONS		APPR: SANDEEP S SIMHAN	2025-09-10	SERIES		MATERIAL NUMBER		CUSTOMER	SHEET NUMBER
		THIRD ANGLE PROJECTION	DRAWING	<b>D-SIZE</b>	<b>34899</b>	<b>SEE BOM</b>	<b>GENERAL MARKET</b>	<b>6 OF 11</b>	

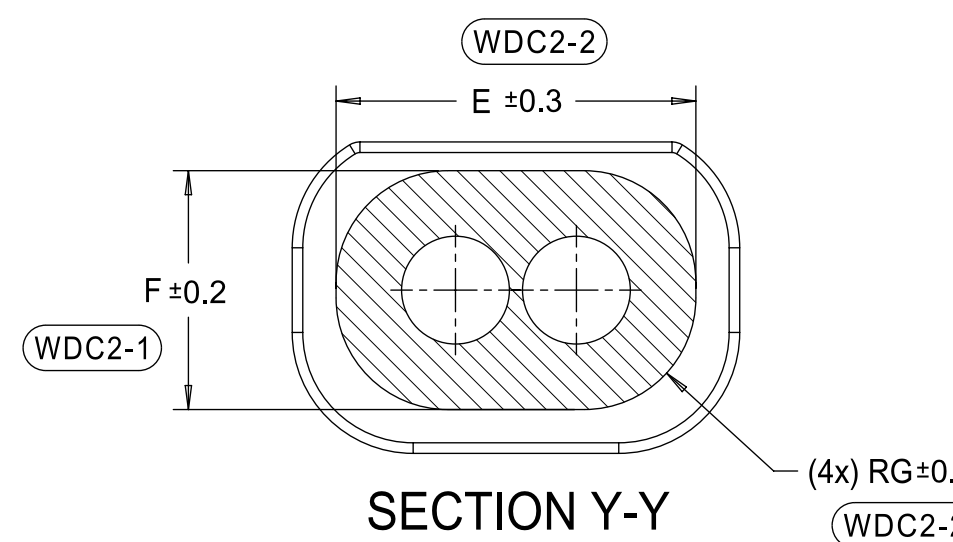


3 CIRCUIT	18.8	10.8	5.4	15.7	7.7	2.45
2 CIRCUIT	14.8	10.8	5.4	11.7	7.7	2.45
CONFIGURATION	A	B	C	E	F	G

CHARTED DIMENSIONS

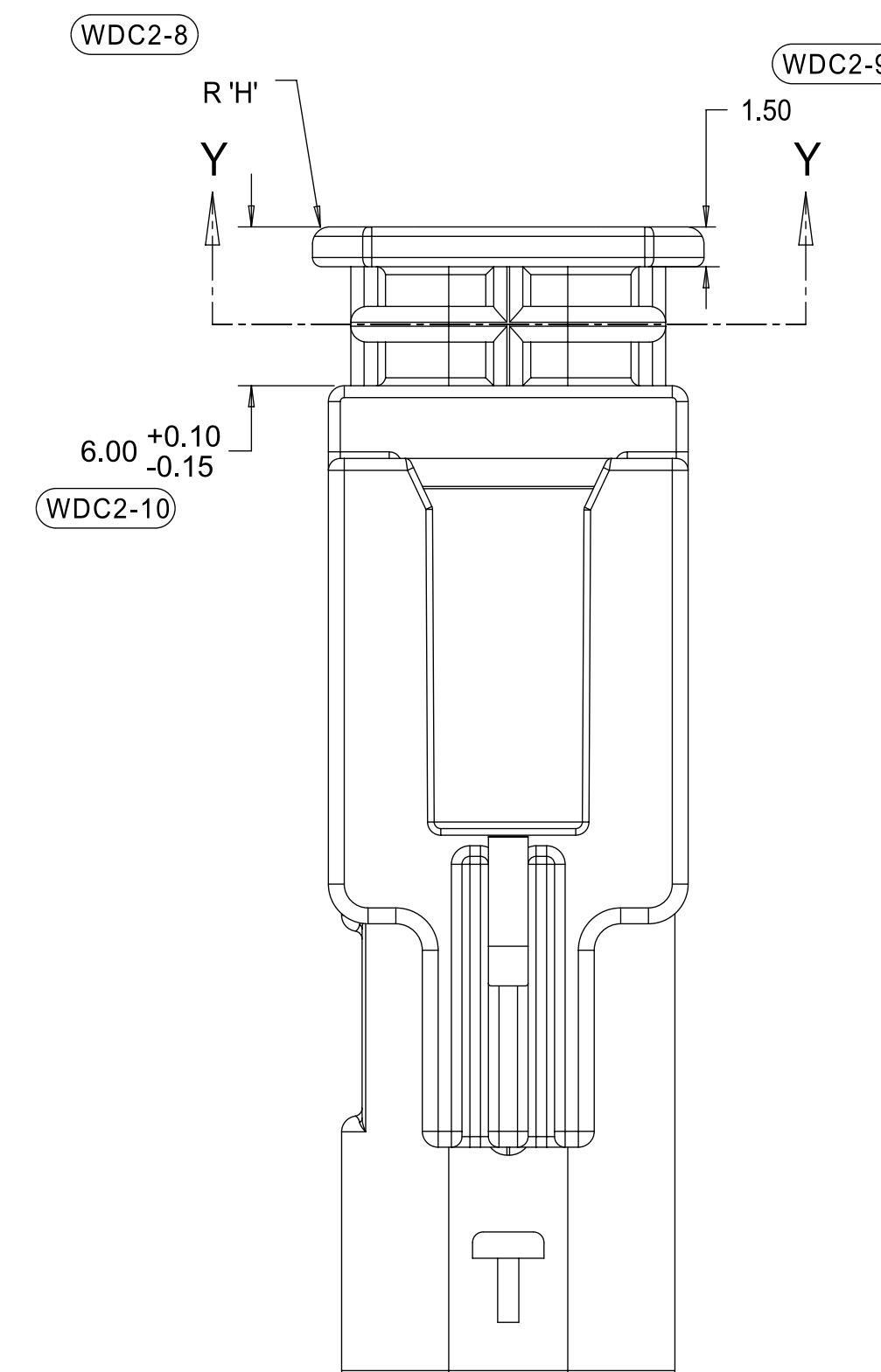
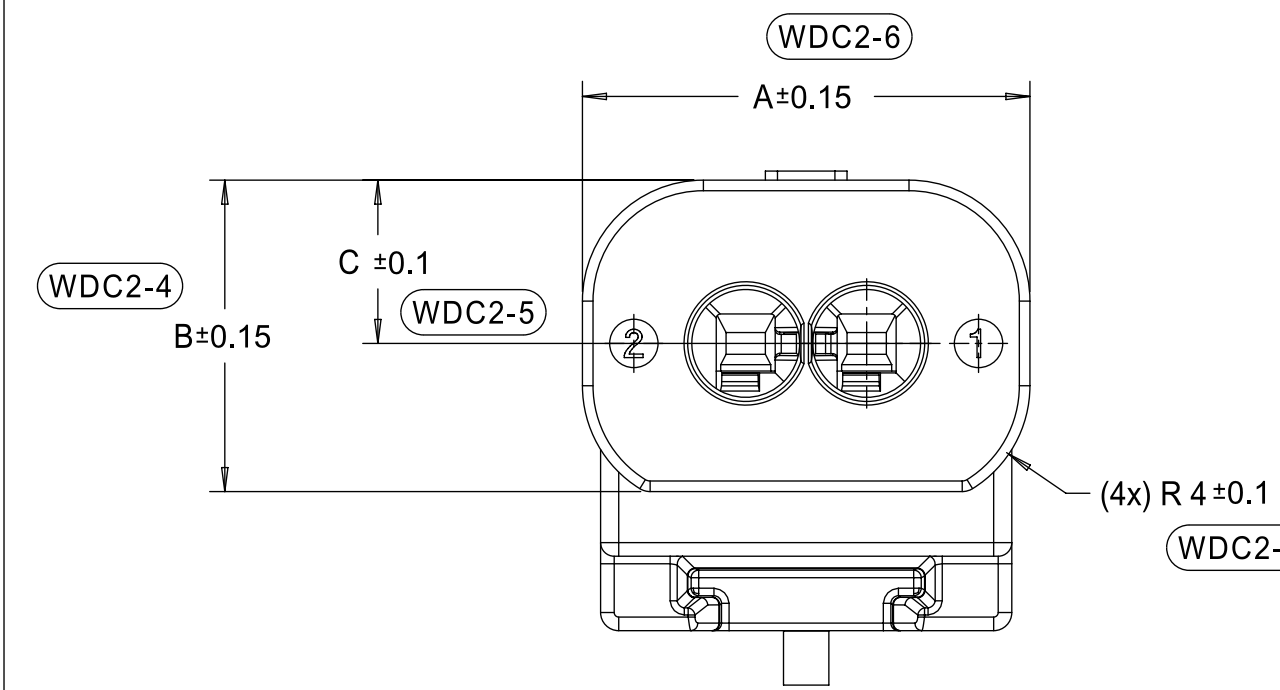


WIRE DRESS COVER  
 INTERFACE OPTION 1  
 WIRE DRESS COVERS  
 NOT AVAILABLE



3 CIRCUIT	18.8	10.8	5.4	15.9	7.9	3.7	0.65
2 CIRCUIT	14.8	10.3	5.4	11.9	7.9	3.7	0.35
CONFIGURATION	A	B	C	E	F	G	H

CHARTED DIMENSIONS



WIRE DRESS COVER  
 INTERFACE OPTION 2  
 BASED ON HIRSCHMANN INTERFACE  
 DRAWING 808-012-xxx REV B5

THIS DRAWING CONTAINS INFORMATION THAT IS PROPRIETARY TO MOLEX ELECTRONIC TECHNOLOGIES, LLC AND SHOULD NOT BE USED WITHOUT WRITTEN PERMISSION

DIMENSION UNITS	SCALE	CURRENT REV DESC: SEE REVISION TABLE	
MM	4:1		
GENERAL TOLERANCES (UNLESS SPECIFIED)			
ANGULAR TOL	±	3°	
4 PLACES	±		
3 PLACES	±		
2 PLACES	±	0.100	
1 PLACE	±	0.20	
0 PLACES	±	0.50	
DRAFT WHERE APPLICABLE MUST REMAIN WITHIN DIMENSIONS	THIRD ANGLE PROJECTION	DRAWING	SERIES
		D-SIZE	34899

STATUS: Production		2025-09-05
DRWN: Abhishek Gajare		2025-09-10
CHK'D: Abhishek Gajare		2025-09-10
APPR: SANDEEP S SIMHAN		2025-09-10

DOCUMENT NUMBER		DOC TYPE	DOC PART	REVISION
SD-34899-2001		PSD	001	C1

PRODUCT CUSTOMER DRAWING		SHEET NUMBER	
SEE BOM		7 OF 11	

1.2MM 1X2, 1X3 BLADE  
 MINOR UPDATES TO 3-CKT BOM

GENERAL MARKET







