

## Product Compliance

[For compliance documentation, visit the product page on TE.com>](#)

EU RoHS Directive 2011/65/EU	Not Compliant
EU ELV Directive 2000/53/EC	Compliant with Exemptions
China RoHS 2 Directive MIIT Order No 32, 2016	Restricted Materials Above Threshold
EU REACH Regulation (EC) No. 1907/2006	Current ECHA Candidate List: JUNE 2024 (241) Candidate List Declared Against: JUNE 2024 (241) SVHC > Threshold: Pb (13% in Component Part) <b>Article Safe Usage Statements:</b> Do not eat, drink or smoke when using this product. Wash thoroughly after handling. Recycle if possible and dispose of the article by following all applicable governmental regulations relevant to your geographic location.
Halogen Content	BFR/CFR/PVC Free, but Br/Cl >900 ppm in other sources.
Solder Process Capability	Wave solder capable to 240°C

### Product Compliance Disclaimer

This information is provided based on reasonable inquiry of our suppliers and represents our current actual knowledge based on the information they provided. This information is subject to change. The part numbers that TE has identified as EU RoHS compliant have a maximum concentration of 0.1% by weight in homogenous materials for lead, hexavalent chromium, mercury, PBB, PBDE, DBP, BBP, DEHP, DIBP, and 0.01% for cadmium, or qualify for an exemption to these limits as defined in the Annexes of Directive 2011/65/EU (RoHS2). Finished electrical and electronic equipment products will be CE marked as required by Directive 2011/65/EU. Components may not be CE marked. Additionally, the part numbers that TE has identified as EU ELV compliant have a maximum concentration of 0.1% by weight in homogenous materials for lead, hexavalent chromium, and mercury, and 0.01% for cadmium, or qualify for an exemption to these limits as defined in the Annexes of Directive 2000/53/EC (ELV). Regarding the REACH Regulation, the information TE provides on SVHC in articles for this part number is based on the latest European Chemicals Agency (ECHA) 'Guidance on requirements for substances in articles' posted at this URL: <https://echa.europa.eu/guidance-documents/guidance-on-reach>

### Compatible Parts




TE Part # 532956-1  
12 MODII 2PC CE RCPT ASSY




TE Part # 534204-2  
12 MODU 2-PC CE RECP ASSY

### Also in the Series | AMPMODU Headers




Connector Contacts(52)



Connector Hardware(1)



PCB Headers & Receptacles(1618)

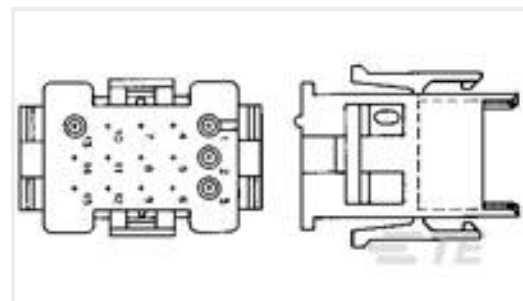


Wire-to-Board Connector Assemblies & Housings(5)

### Customers Also Bought



TE Part #31886  
PIDG R 22-16 COMM 22-18 MIL 8



TE Part #1-640510-0  
06P MR II CAP HSG V0



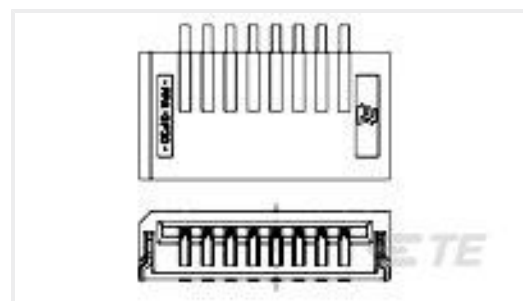
TE Part #350720-1  
09P UMNL PLUG HSG



TE Part #350782-1  
09P UMNL CAP HSG



TE Part #643495-2  
05P MTA156 HDR ASSY W/O#2&4



TE Part #1735360-4  
1mm FFC SMT H BOTTOM CONTACT ASSY, 4P



TE Part #2-520183-2  
ULTRA-FAST 250 ASY REC 22-18 TPBR



TE Part #1-6609037-2  
6EMC1=F8127



TE Part #382811-6  
SHUNT, ECON, PHBR 15 AU, BLACK



TE Part #5-102567-1  
12 MODII 2PC HDR DR SHRD .100,  
ROHS

## Documents

### Product Drawings

[12 MODII 2PC HDR DR SHRD](#)

English

### CAD Files

Customer View Model

[ENG\\_CVM\\_102692-1\\_L2.3d\\_igs.zip](#)

English

Customer View Model

[ENG\\_CVM\\_102692-1\\_L2.2d\\_dxf.zip](#)

English

Customer View Model

[ENG\\_CVM\\_102692-1\\_L2.3d\\_stp.zip](#)

English

### 3D PDF

English

By downloading the CAD file I accept and agree to the [Terms and Conditions](#) of use.

### Datasheets & Catalog Pages

[AMPMODU Interconnection System](#)

[AMPMODU Interconnection System](#)

English