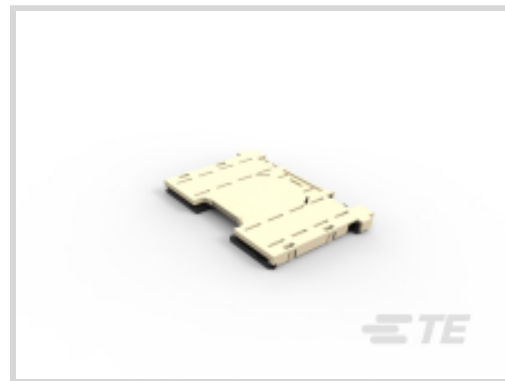




TE Internal #: 2-2129710-8
TE Internal Description: RIGHT SIDE LGA3647-1 SOCKET-P1 FOR ODM
LGA 3647 Sockets
[View on TE.com >](#)

Connectors > Socket Connectors > IC Sockets > LGA Sockets > LGA 3647 Sockets



IC Socket Type: **LGA 3647**
Number of Positions: **1823**
Centerline (Pitch): **.86 mm, .99 mm [.039 in, .034 in]**
Termination Method to PCB: **Surface Mount - Solder Ball**
Grid Spacing: **.9906 x .8585 mm [.039 x .0338 in]**

[All LGA 3647 Sockets \(0\)](#)

Features

Contact Features

IC Socket Type	LGA 3647
Contact Current Rating (Max)	.5 A
Contact Mating Area Plating Material	Gold
Contact Base Material	Copper Alloy
	30 µin

Configuration Features

Number of Positions	1823
Grid Spacing	.9906 x .8585 mm [.039 x .0338 in]

Housing Features

Centerline (Pitch)	.86 mm, .99 mm [.039 in][.034 in]
Housing Color	Black
Housing Material	High Temperature Thermoplastic

Termination Features

Termination Method to PCB	Surface Mount - Solder Ball
---------------------------	-----------------------------

Mechanical Attachment

Connector Mounting Type	Board Mount
-------------------------	-------------



Other

EU RoHS Compliance	Compliant
--------------------	-----------

EU ELV Compliance	Compliant
-------------------	-----------

Product Type Features

Connector & Contact Terminates To	Printed Circuit Board
-----------------------------------	-----------------------

Connector System	Board-to-Board
------------------	----------------

Body Features

Frame Style	C Shape
-------------	---------

Operation/Application

Circuit Application	Signal
---------------------	--------

Industry Standards

UL Flammability Rating	UL 94V-0
------------------------	----------

Packaging Features

Tray Color	Blue
------------	------

Packaging Method	Tray
------------------	------

Product Compliance

[For compliance documentation, visit the product page on TE.com>](#)

EU RoHS Directive 2011/65/EU	Compliant
------------------------------	-----------

EU ELV Directive 2000/53/EC	Compliant
-----------------------------	-----------

China RoHS 2 Directive MIIT Order No 32, 2016	No Restricted Materials Above Threshold
---	---

EU REACH Regulation (EC) No. 1907/2006	Current ECHA Candidate List: JUNE 2024 (241) Candidate List Declared Against: JUNE 2023 (235) Does not contain REACH SVHC
--	---

Halogen Content	Low Halogen - Br, Cl, F, I < 900 ppm per homogenous material. Also BFR/CFR/PVC Free
-----------------	---

Solder Process Capability	Reflow solder capable to 260°C
---------------------------	--------------------------------

Product Compliance Disclaimer

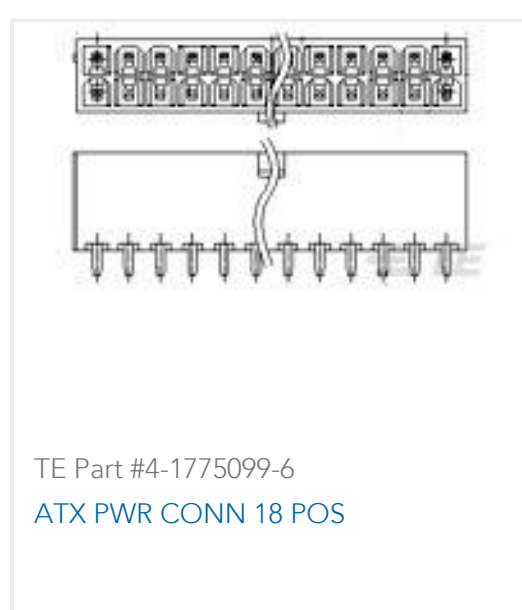
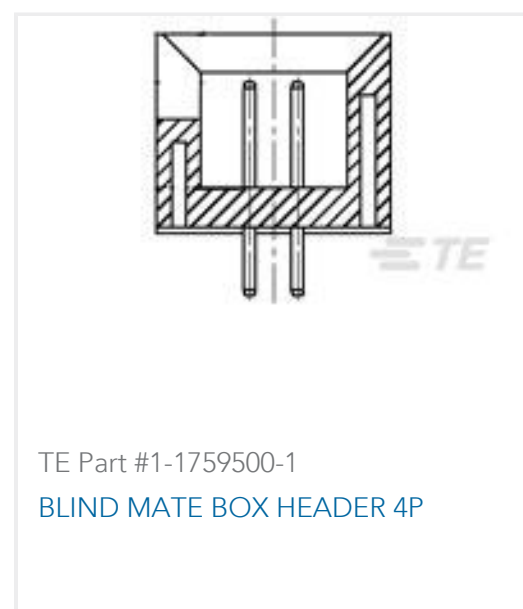
This information is provided based on reasonable inquiry of our suppliers and represents our current actual knowledge based on the information they provided. This information is subject to change. The part numbers that TE has identified as EU RoHS compliant have a maximum concentration of 0.1% by weight in homogenous materials for lead, hexavalent chromium, mercury, PBB, PBDE, DBP, BBP, DEHP, DIBP, and 0.01% for cadmium, or qualify for an exemption to these limits as defined in the Annexes of Directive 2011/65/EU (RoHS2). Finished electrical and electronic equipment products

will be CE marked as required by Directive 2011/65/EU. Components may not be CE marked. Additionally, the part numbers that TE has identified as EU ELV compliant have a maximum concentration of 0.1% by weight in homogenous materials for lead, hexavalent chromium, and mercury, and 0.01% for cadmium, or qualify for an exemption to these limits as defined in the Annexes of Directive 2000/53/EC (ELV). Regarding the REACH Regulation, the information TE provides on SVHC in articles for this part number is based on the latest European Chemicals Agency (ECHA) 'Guidance on requirements for substances in articles' posted at this URL: <https://echa.europa.eu/guidance-documents/guidance-on-reach>

Compatible Parts



Customers Also Bought





TE Part #2143019-3
IMP100S,H,RA2P10C,RG,LEW39,5.5

Documents

Product Drawings

[RIGHT SIDE LGA3647-1 SOCKET-P1 FOR ODM](#)

English

CAD Files

[3D PDF](#)

3D

Customer View Model

[ENG_CVM_CVM_2-2129710-8_C.2d_dxf.zip](#)

English

Customer View Model

[ENG_CVM_CVM_2-2129710-8_C.3d_igs.zip](#)

English

Customer View Model

[ENG_CVM_CVM_2-2129710-8_C.3d_stp.zip](#)

English

By downloading the CAD file I accept and agree to the [Terms and Conditions](#) of use.

Datasheets & Catalog Pages

[LGA 3647 Socket Product Flyer](#)

English

Product Specifications

[Application Specification](#)

English