

1367073-2 ✓ ACTIVE



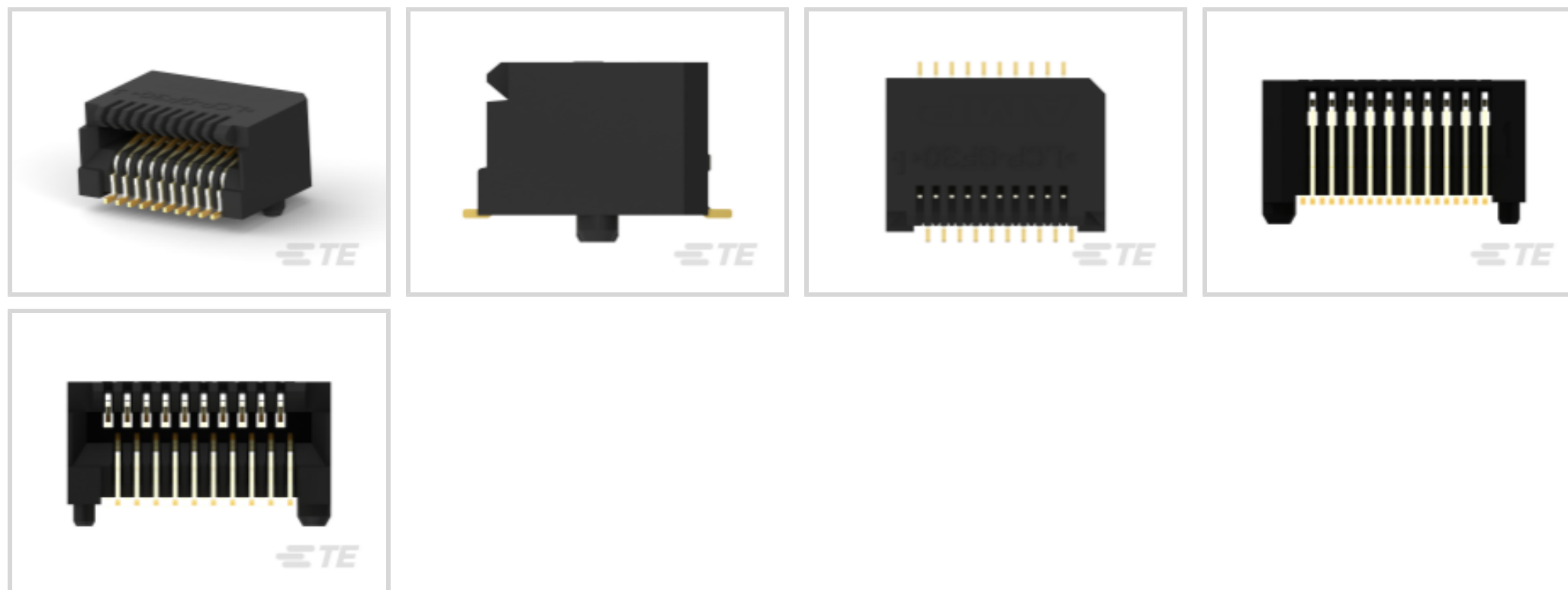
SFP28

TE Internal #: 1367073-2

SFP, Connector, .8mm [.031in] Centerline, Signal, Operating Temperature Range -55 – 85 °C [-67 – 185 °F], Data Rate (Max) 4 Gb/s, 20 Position

[View on TE.com >](#)

Connectors > Pluggable IO Connectors & Cages > SFP Connectors



Pluggable I/O Product Type: Connector

Centerline (Pitch): .8 mm [.031 in]

Sealable: No

Circuit Application: Signal

Operating Temperature Range: -55 – 85 °C [-67 – 185 °F]

[All SFP Connectors \(10\)](#)

Features

Product Type Features

| | |
|----------------------------|-----------|
| Pluggable I/O Product Type | Connector |
| Sealable | No |
| Form Factor | SFP |

Housing Features

| | |
|--------------------|----------------|
| Centerline (Pitch) | .8 mm[.031 in] |
|--------------------|----------------|

Operation/Application

| | |
|----------------------------|--------|
| Circuit Application | Signal |
| Pluggable I/O Applications | SFP |

Usage Conditions

| | |
|-----------------------------|---------------------------|
| Operating Temperature Range | -55 – 85 °C[-67 – 185 °F] |
|-----------------------------|---------------------------|

Electrical Characteristics

| | |
|-----------------|--------|
| Data Rate (Max) | 4 Gb/s |
|-----------------|--------|



Configuration Features

| | |
|---------------------|----|
| Number of Positions | 20 |
|---------------------|----|

Other

| | |
|--------------------|-----------|
| Included Lightpipe | No |
| EU RoHS Compliance | Compliant |
| EU ELV Compliance | Compliant |

Contact Features

| | |
|--|-------------------|
| Contact Current Rating (Max) | .5 A |
| Contact Mating Area Plating Material | Gold |
| Contact Mating Area Plating Material Thickness | .76 µm[29.92 µin] |

Termination Features

| | |
|---------------------------|---------------|
| Termination Method to PCB | Surface Mount |
|---------------------------|---------------|

Industry Standards

| | |
|------------------------|----------|
| UL Flammability Rating | UL 94V-0 |
|------------------------|----------|

Packaging Features

| | |
|------------------|------|
| Packaging Method | Reel |
|------------------|------|

Product Compliance

[For compliance documentation, visit the product page on TE.com>](#)

| | |
|---|---|
| EU RoHS Directive 2011/65/EU | Compliant |
| EU ELV Directive 2000/53/EC | Compliant |
| China RoHS 2 Directive MIIT Order No 32, 2016 | No Restricted Materials Above Threshold |
| EU REACH Regulation (EC) No. 1907/2006 | Current ECHA Candidate List: JUNE 2024 (241) Candidate List Declared Against: JUNE 2024 (241) Does not contain REACH SVHC |
| Halogen Content | Low Halogen - Br, Cl, F, I < 900 ppm per homogenous material. Also BFR/CFR/PVC Free |
| Solder Process Capability | Reflow solder capable to 260°C |

Product Compliance Disclaimer

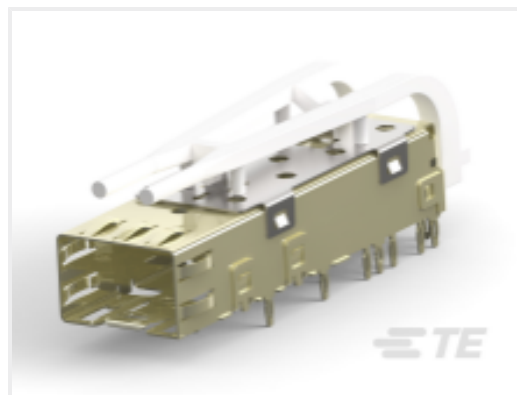
This information is provided based on reasonable inquiry of our suppliers and represents our current actual knowledge based on the information they provided. This information is subject to change. The part numbers that TE has identified as EU RoHS compliant have a maximum concentration of 0.1% by weight in homogenous materials for lead, hexavalent

chromium, mercury, PBB, PBDE, DBP, BBP, DEHP, DIBP, and 0.01% for cadmium, or qualify for an exemption to these limits as defined in the Annexes of Directive 2011/65/EU (RoHS2). Finished electrical and electronic equipment products will be CE marked as required by Directive 2011/65/EU. Components may not be CE marked. Additionally, the part numbers that TE has identified as EU ELV compliant have a maximum concentration of 0.1% by weight in homogenous materials for lead, hexavalent chromium, and mercury, and 0.01% for cadmium, or qualify for an exemption to these limits as defined in the Annexes of Directive 2000/53/EC (ELV). Regarding the REACH Regulation, the information TE provides on SVHC in articles for this part number is based on the latest European Chemicals Agency (ECHA) 'Guidance on requirements for substances in articles' posted at this URL: <https://echa.europa.eu/guidance-documents/guidance-on-reach>

Compatible Parts



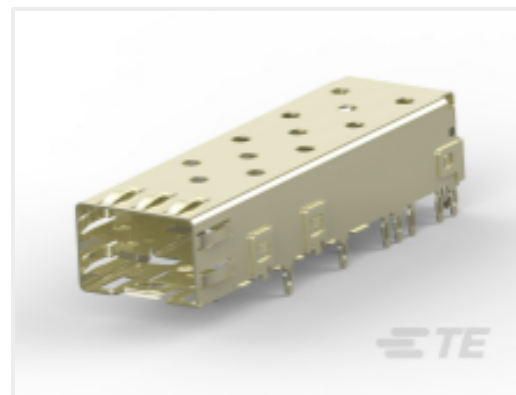
TE Part # CAT-SF59-C76264
SFP Connectors



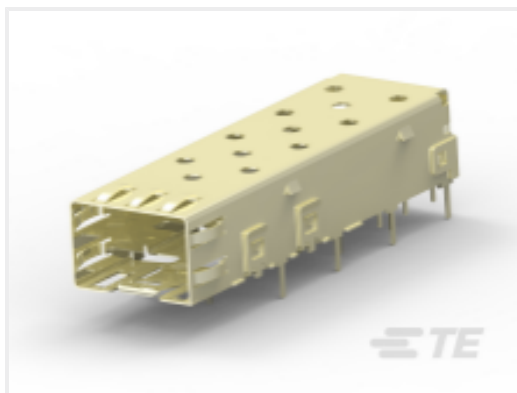
TE Part # 1367629-2
cage assy, 20 press fit, sfp w



TE Part # 2170614-1
cage assy, 20 press fit, sfp w



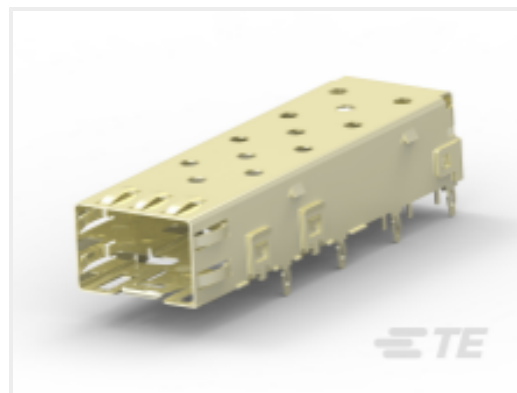
TE Part # 2227023-1
CAGE ASSY PRESS FIT, SFP



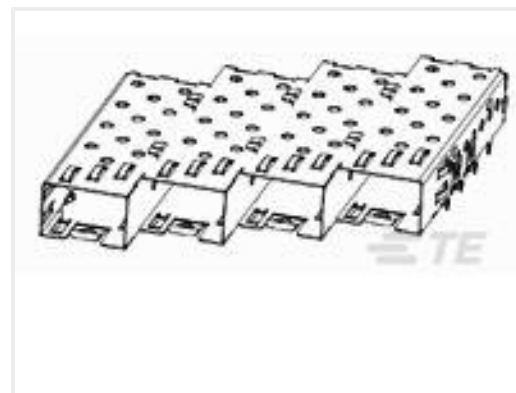
TE Part # 2227303-1
CAGE ASSEMBLY, SFP, .140 SOLDE



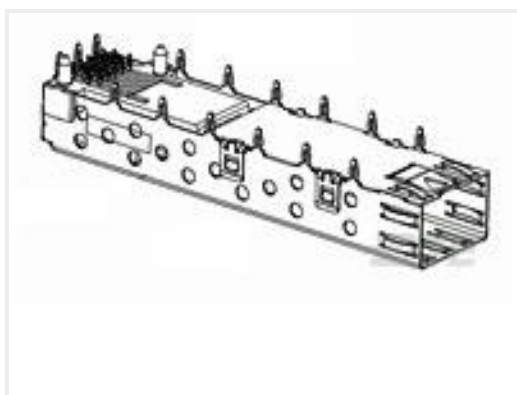
TE Part # 2227303-2
CAGE ASSEMBLY, SFP, .071 TAIL



TE Part # 2227302-1
CAGE ASSY, PRESS FIT, SFP



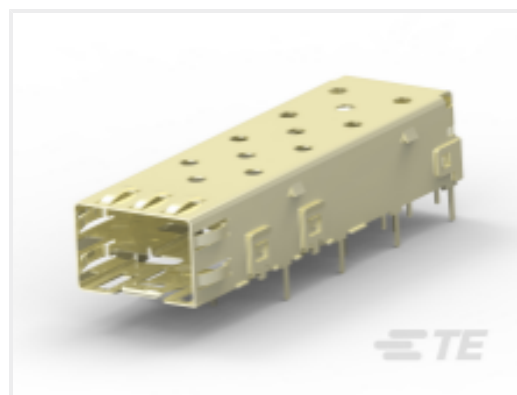
TE Part # 2170167-1
SFP 1X4 ANGLED CAGE ASSY, PRESS FIT



TE Part # 2170039-1
1X1SFP CAGE ASSY & PT CONNECTOR ASSY



TE Part # 2170080-1
SFP 1X6 CAGE ASSY, PRESS FIT



TE Part # 2227303-3
CAGE ASSEMBLY, SFP, .071 TAIL



TE Part # 2227317-1
press fit cage assy, single with lp



TE Part # 2170166-1
SFP 1X4 ANGLED CAGE & LIGHT PI

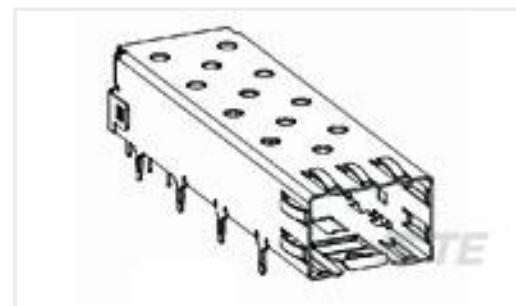
Customers Also Bought



TE Part #5786155-5
50 50SR VRT RCPT, LTCH, ACT PIN



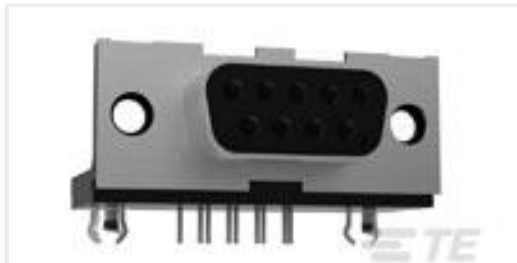
TE Part #2-84953-4
1MM FPC HORZ. TOP CONT. ASSY 24P



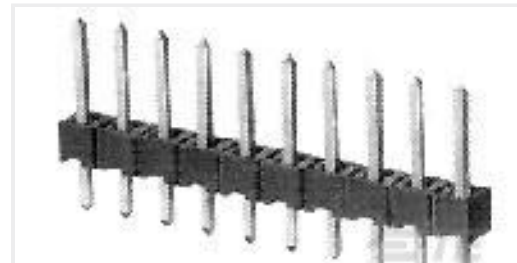
TE Part #2227303-2
CAGE ASSEMBLY, SFP, .071 TAIL



TE Part #1761014-3
SFP 1X2 CAGE ASSY, PRESS FIT



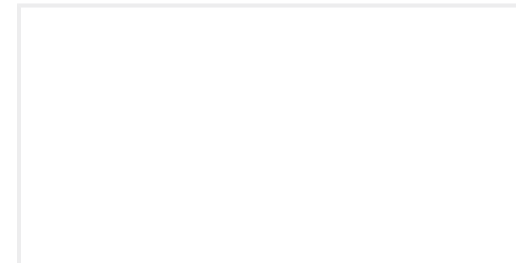
TE Part #3-106505-2
9P. HDP20 REC. ASSY.



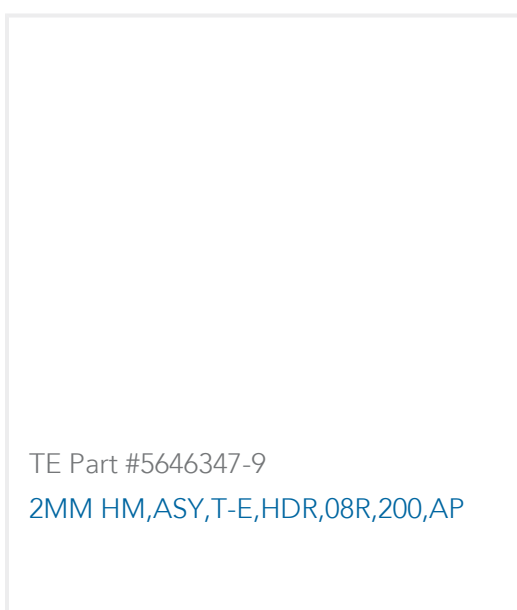
TE Part #1955426-3
3P MODU II PIN HEADER SELECTIVE
LOADING



TE Part #5176378-2
REC ASS'Y(V) 60P 1.27FHBB



TE Part #2363323-1
2MM H.M. TYPE "A" PIN ASSY.



TE Part #5646347-9
2MM HM, ASY, T-E, HDR, 08R, 200, AP

Documents

Product Drawings

[20 POS SMT CONN, SFP, 30AU](#)

English

CAD Files

[3D PDF](#)

3D

Customer View Model

[ENG_CVM_CVM_1367073-2_F3.2d_dxf.zip](#)

English

Customer View Model

[ENG_CVM_CVM_1367073-2_F3.3d_igs.zip](#)

English

Customer View Model

[ENG_CVM_CVM_1367073-2_F3.3d_stp.zip](#)

English

By downloading the CAD file I accept and agree to the [Terms and Conditions](#) of use.

Datasheets & Catalog Pages



[1773408-1 Pluggable Input/Output Solutions catalog - SFP section](#)

English

[4-1773455-4 Quick Reference Guide SFP Solutions](#)

English

Product Specifications

[Application Specification](#)

English

[Application Specification](#)

English

Instruction Sheets

[Instruction Sheet \(U.S.\)](#)

English

[Instruction Sheet \(U.S.\)](#)

English