

350073-1 ✓ ACTIVE

MATE-N-LOK | Commercial MATE-N-LOK

TE Internal #: 350073-1

Socket Contact, Tin, 250 VAC, 250 VDC, Locking Lance Contact Retention, Phosphor Bronze, Power, -55 – 105 °C [-67 – 221 °F], Commercial MATE-N-LOK

[View on TE.com >](#)



Connectors > Contacts > Connector Contacts



Contact Type: **Socket**

Contact Mating Area Plating Material: **Tin**

Operating Voltage: **250 VDC**

Contact Retention Within Housing: **With**

## Features

### Packaging Features

Packaging Quantity	1000
Packaging Method	Bag

### Termination Features

Termination Method to PCB	Through Hole - Solder
Product Terminates To	Printed Circuit Board

### Contact Features

Contact Orientation	Straight
Mating Pin Diameter	2.11 mm[.083 in]
PCB Contact Termination Area Plating Material Thickness	.4 – 3.5 µm[15.74 – 137.7 µin]
PCB Contact Termination Area Plating Material	Pre-Tin
Contact Type	Socket
Contact Mating Area Plating Material	Tin
Contact Retention Within Housing	With
Contact Base Material	Phosphor Bronze
Contact Current Rating (Max)	15 A

### Electrical Characteristics

Operating Voltage	250 VDC
-------------------	---------

### Mechanical Attachment

Contact Retention Type Within Housing	Locking Lance
---------------------------------------	---------------

### Usage Conditions

Operating Temperature Range	-55 – 105 °C[-67 – 221 °F]
-----------------------------	----------------------------

### Operation/Application

Circuit Application	Power
---------------------	-------

### Other

EU RoHS Compliance	Compliant
EU ELV Compliance	Compliant

### Product Compliance

[For compliance documentation, visit the product page on TE.com>](#)

EU RoHS Directive 2011/65/EU	Compliant
EU ELV Directive 2000/53/EC	Compliant
China RoHS 2 Directive MIIT Order No 32, 2016	No Restricted Materials Above Threshold
EU REACH Regulation (EC) No. 1907/2006	Current ECHA Candidate List: JUNE 2024 (241) Candidate List Declared Against: JUNE 2024 (241) Does not contain REACH SVHC
Halogen Content	Low Halogen - Br, Cl, F, I < 900 ppm per homogenous material. Also BFR/CFR/PVC Free
Solder Process Capability	Not applicable for solder process capability

#### Product Compliance Disclaimer

This information is provided based on reasonable inquiry of our suppliers and represents our current actual knowledge based on the information they provided. This information is subject to change. The part numbers that TE has identified as EU RoHS compliant have a maximum concentration of 0.1% by weight in homogenous materials for lead, hexavalent chromium, mercury, PBB, PBDE, DBP, BBP, DEHP, DIBP, and 0.01% for cadmium, or qualify for an exemption to these limits as defined in the Annexes of Directive 2011/65/EU (RoHS2). Finished electrical and electronic equipment products will be CE marked as required by Directive 2011/65/EU. Components may not be CE marked. Additionally, the part numbers that TE has identified as EU ELV compliant have a maximum concentration of 0.1% by weight in homogenous materials for lead, hexavalent chromium, and mercury, and 0.01% for cadmium, or qualify for an exemption to these limits as defined in the Annexes of Directive 2000/53/EC (ELV). Regarding the REACH Regulation, the information TE provides on SVHC in articles for this part number is based on the latest European Chemicals Agency (ECHA) 'Guidance on requirements for substances in articles' posted at this URL: <https://echa.europa.eu/guidance-documents/guidance-on-reach>

## Compatible Parts



TE Part # 1-171196-0  
6 POS MATE-N-LOK S



TE Part # 1-480274-0  
09P CMNL PLUG HSG P/M NATL



TE Part # 1-480284-0  
08P CMNL CAP HSG M/M NATL



TE Part # 1-480438-0  
16P CMNL PLUG HSG M/M NATL



TE Part # 1-480683-0  
02P CMNL PLUG HSG F/H NATL



TE Part # 1-480277-0  
09P CMNL CAP HSG P/M NATL



TE Part # 1-480304-0  
03P CMNL PLUG HSG P/M NATL



TE Part # 1-480722-0  
04P CMNL PLUG HSG W/LCK NATL



TE Part # 1-480276-0  
06P CMNL CAP HSG P/M NATL



TE Part # 1-480285-0  
10P CMNL PLUG HSG M/M NATL



TE Part # 1-480439-0  
16P CMNL CAP HSG M/M NATL



TE Part # 1-480393-1  
02P CMNL PLUG HSG F/H BLK



TE Part # 1-480345-0  
08P CMNL CAP HSG F/H NATL



TE Part # 1-480340-0  
06P CMNL CAP HSG F/H NATL



TE Part # 1-480278-0  
12P CMNL CAP HSG P/M NATL



TE Part # 1-480425-0  
04P CMNL PLUG HSG P/M NATL



TE Part # 1-480324-0  
15P CMNL CAP HSG P/M NATL



TE Part # 1-480721-0  
03P CMNL PLUG HSG W/LOK NATL

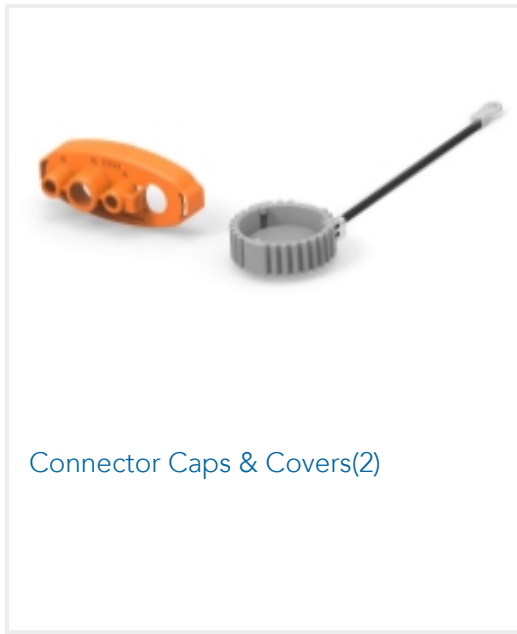


TE Part # 1-480323-0  
15P CMNL PLUG HSG P/M NATL

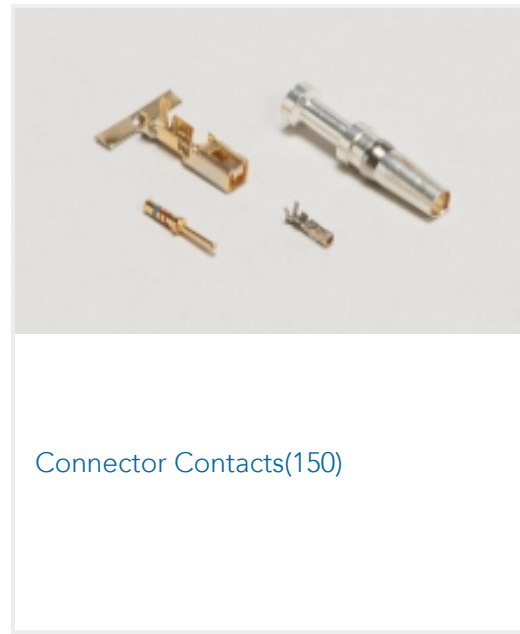


TE Part # 170924-1  
MNL 2 POS NATURAL PIN HSG

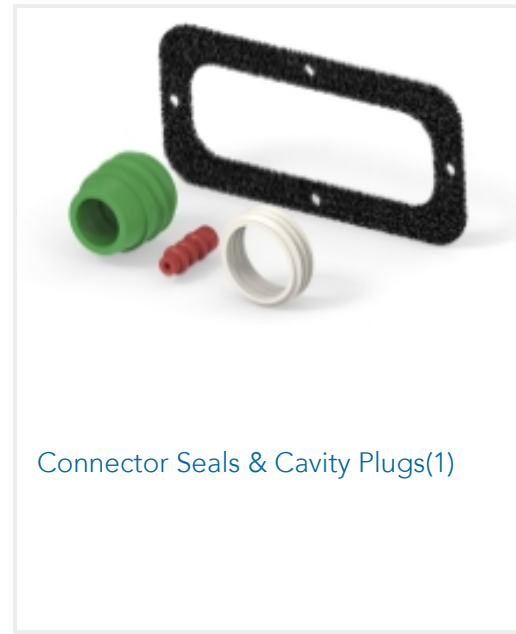
Also in the Series | **Commercial MATE-N-LOK**



Connector Caps & Covers(2)



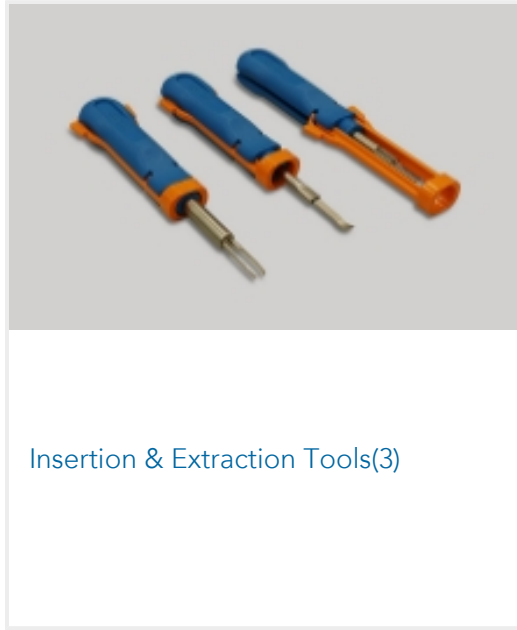
Connector Contacts(150)



Connector Seals & Cavity Plugs(1)



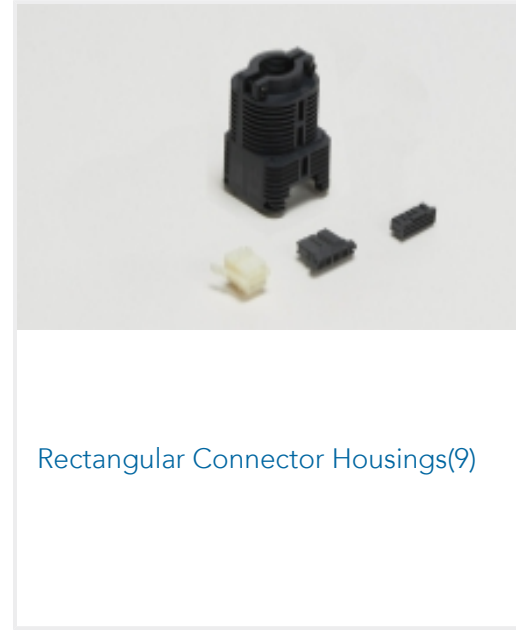
Crimp Wire Pins, Tabs & Ferrules(2)



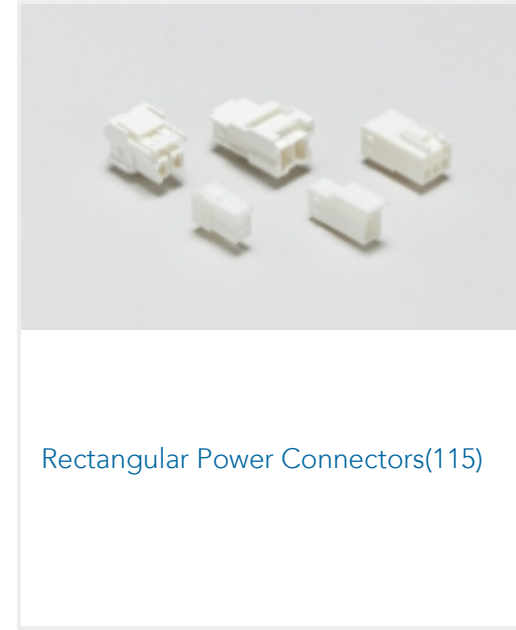
Insertion & Extraction Tools(3)



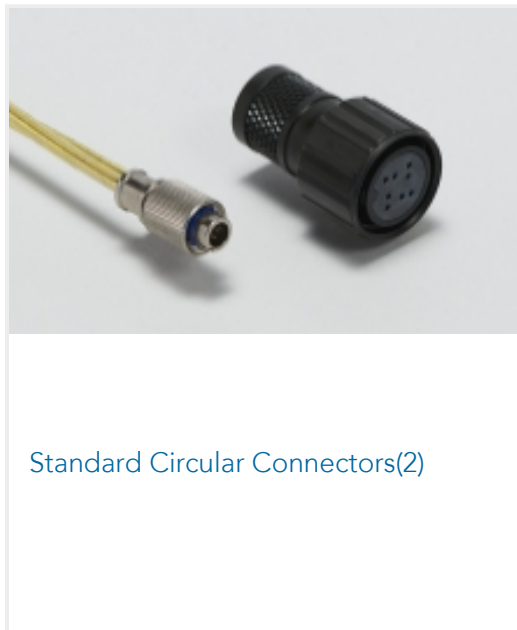
PCB Headers & Receptacles(56)



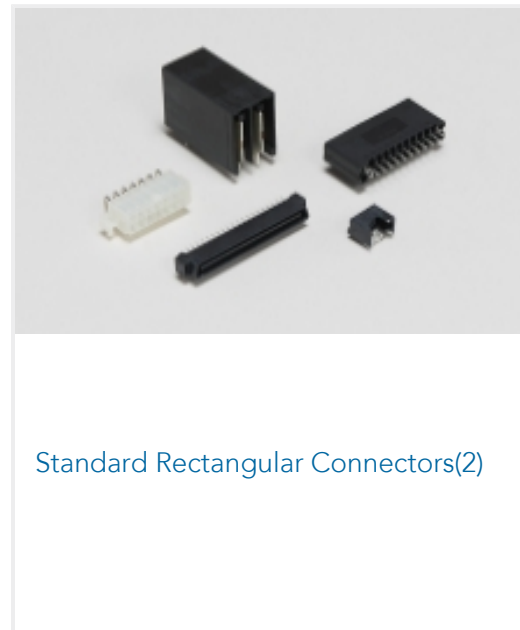
Rectangular Connector Housings(9)



Rectangular Power Connectors(115)



Standard Circular Connectors(2)



Standard Rectangular Connectors(2)

## Customers Also Bought



TE Part #5786155-5  
50 50SR VRT RCPT,LTCH,ACT PIN



TE Part #2205076-3  
CA MICRO-MATCH MOW-MOW  
20POS



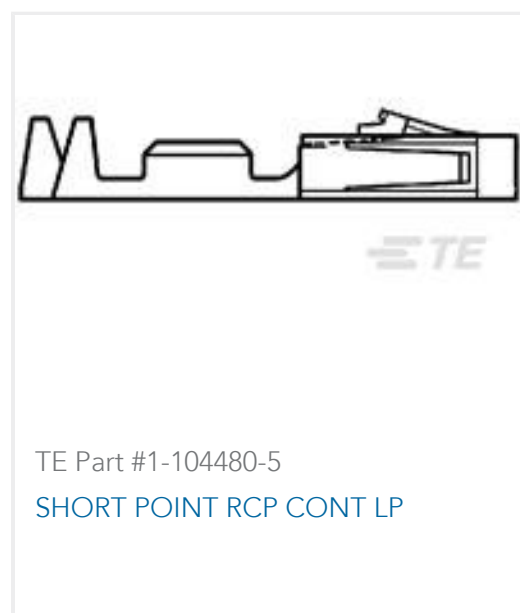
TE Part #643488-1  
03P CMNL HDR ASSY R/A



TE Part #5-103673-4  
5 MTE HDR SRRA LATCH W/HLDWN



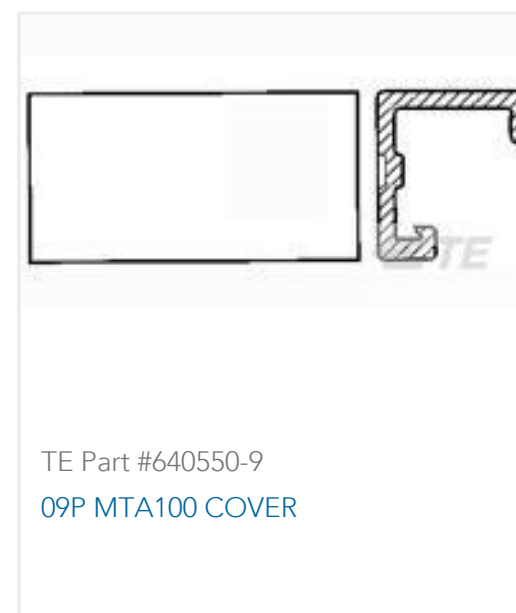
TE Part #104257-3  
04 MTE RCPT HSG SR LATCH .100



TE Part #1-104480-5  
SHORT POINT RCP CONT LP



TE Part #770035-1  
04P UMNL II PLUG-FRONT 94VO



TE Part #640550-9  
09P MTA100 COVER



## Documents

### Product Drawings

[CMNL PCB SOK PTPPHBZ](#)

English

### CAD Files

Customer View Model

[ENG\\_CVM\\_350073-1\\_H1.3d\\_igs.zip](#)

English

Customer View Model

[ENG\\_CVM\\_350073-1\\_H1.3d\\_stp.zip](#)

English

Customer View Model

[ENG\\_CVM\\_350073-1\\_H1.2d\\_dxf.zip](#)

English

[3D PDF](#)

English

[3D PDF](#)

3D

Customer View Model

[ENG\\_CVM\\_CVM\\_350073-1\\_P.2d\\_dxf.zip](#)

English

Customer View Model

[ENG\\_CVM\\_CVM\\_350073-1\\_P.3d\\_igs.zip](#)

English

Customer View Model

[ENG\\_CVM\\_CVM\\_350073-1\\_P.3d\\_stp.zip](#)

English

By downloading the CAD file I accept and agree to the [Terms and Conditions](#) of use.

### Datasheets & Catalog Pages

[SOFT\\_SHELL\\_PIN\\_SOCKET\\_CONNECTORS\\_STANDARD\\_DENSITY](#)

English

### Product Specifications

[Application Specification](#)

English

350073-1

Socket Contact, Tin, 250 VAC, 250 VDC, Locking Lance Contact Retention, Phosphor  
Bronze, Power, -55 – 105 °C [-67 – 221 °F], Commercial MATE-N-LOK

