

THIS DRAWING IS UNPUBLISHED.

RELEASED FOR PUBLICATION

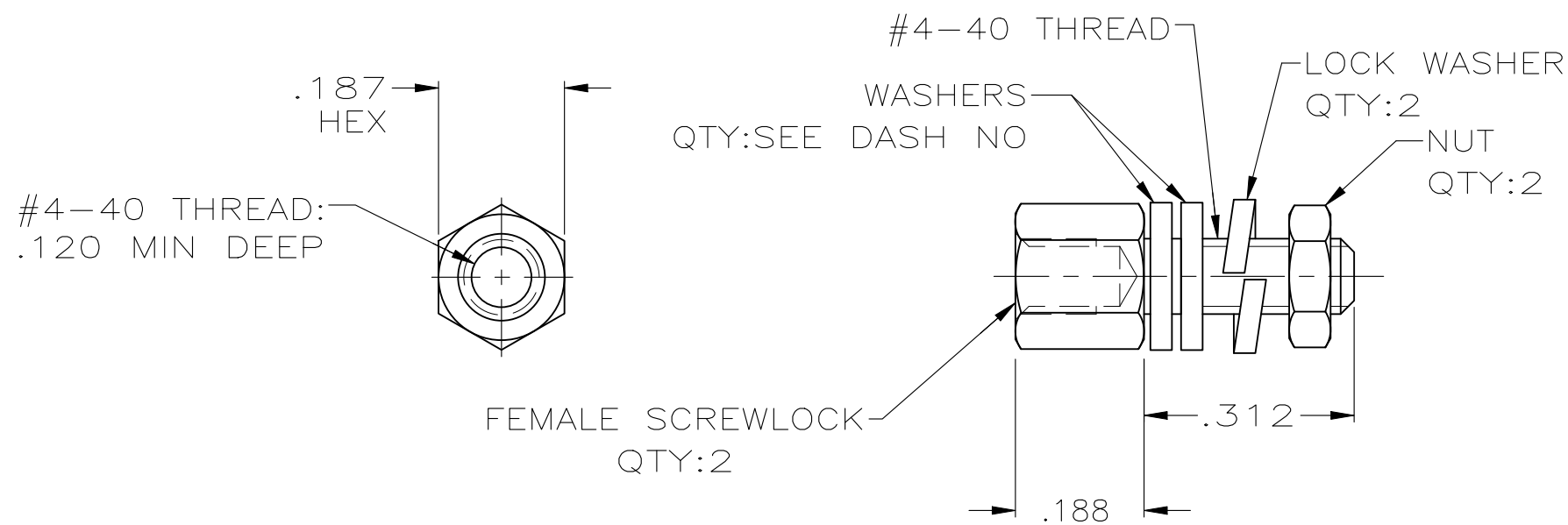
-. -. .

REVISIONS

© COPYRIGHT - By -

ALL RIGHTS RESERVED.

P	LTR	DESCRIPTION	DATE	DWN	APVD
	E1	REVISED PER ECN-25-349300	18SEP2025	TR	SKN



- 1 ZINC PLATED .000200-.000400 THICK YELLOW CHROMATE COATING.
- 2 ZINC PLATED .000200-.000400 THICK CLEAR CHROMATE COATING.
- 3. PARTS PACKAGED UNASSEMBLED.
- 4 PARTS PACKED AS A UNIT KIT.
- 5 PARTS INDIVIDUALLY BULK PACKED & SHIPPED AS A UNIT PACKAGE.
- 6. IDENTIFIED BY MIL SPEC PART NUMBER M24308/26-1Z FOR -8 ONLY & TE PART NUMBER (FOR ALL DASH NUMBERS).
- 7 CHROMATE FINISH PER ASTM B633 EXCEPT FOR USE OF TRIVALENT CHROMIUM TO MEET RoHS REGULATIONS.
- 8 PART WILL NOT CONTAIN HEX NUT & LOCK WASHER.

OBSOLETE	4	6	1	5205817-9
	4	6	1/7	5205817-8
	4	4	1	5205817-5
	5	4	2	5205817-4
	4	4	2	5205817-3
	5	4	1	5205817-2
	4	4	1	5205817-1
PACKAGING	NO OF WASHERS	FINISH	PART NUMBER	

THIS DRAWING IS A CONTROLLED DOCUMENT.		DWN S.WAITMAN 27JUN05	<b>STE</b> TE Connectivity		
DIMENSIONS: INCHES		CHK C.ROHDE 27JUN05			
TOLERANCES UNLESS OTHERWISE SPECIFIED:		APVD M.WALMSLEY 27JUN05	NAME KIT, SCREWLOCK, FEMALE, AMPLIMITE		
0 PLC ± -		PRODUCT SPEC	-		
1 PLC ± -		APPLICATION SPEC	-		
2 PLC ± -		SIZE	CAGE CODE	DRAWING NO	RESTRICTED TO
3 PLC ± .005		WEIGHT 0.000000	A300779	C-5205817	-
4 PLC ± -		CUSTOMER DRAWING	SCALE 4:1	SHEET 1 OF 1	REV E1
ANGLES ± -					
MATERIAL COLD ROLLED STEEL		FINISH SEE TABLE			