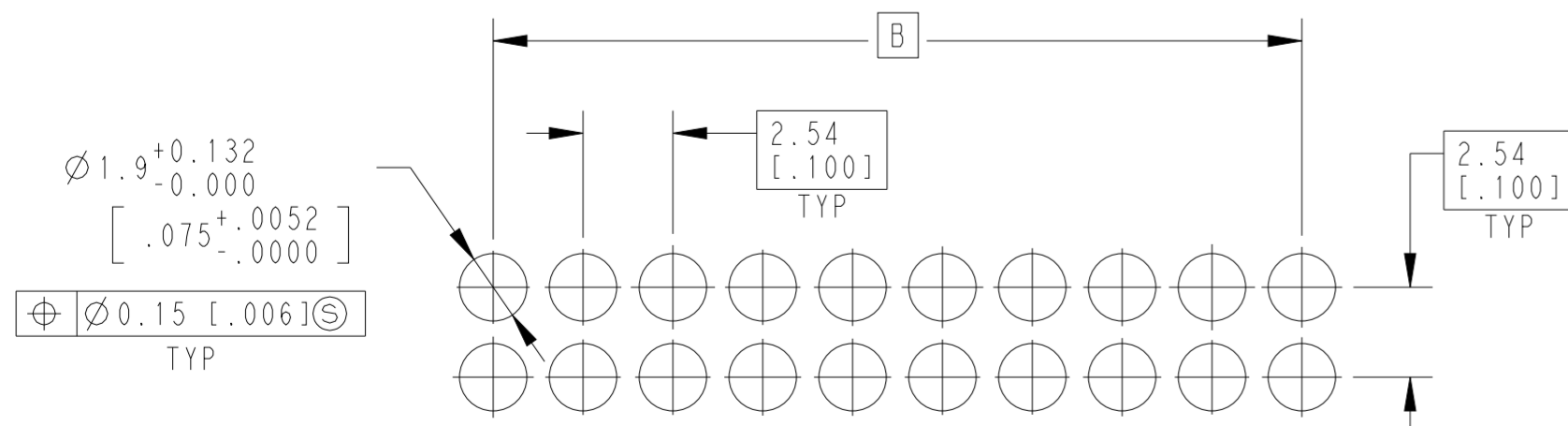
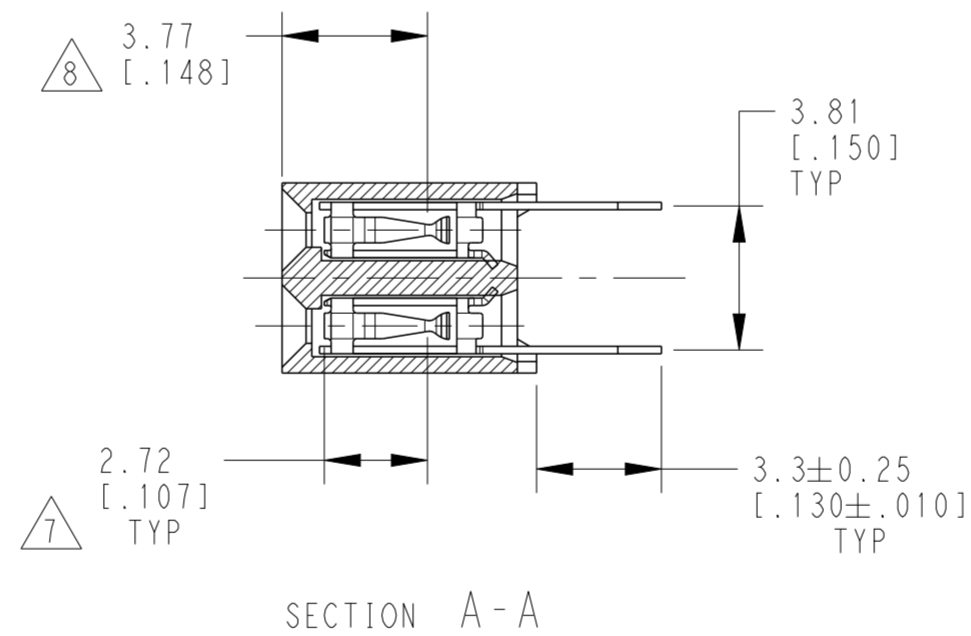
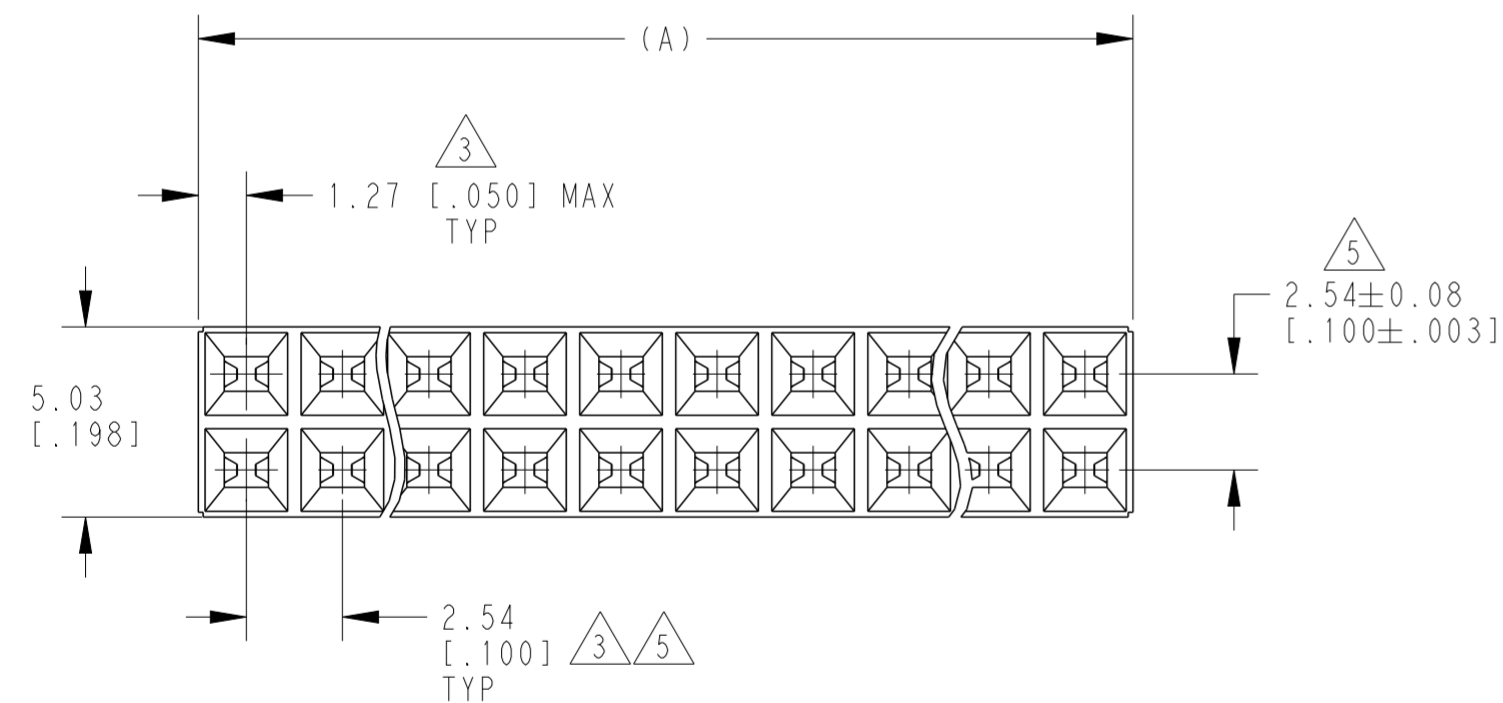
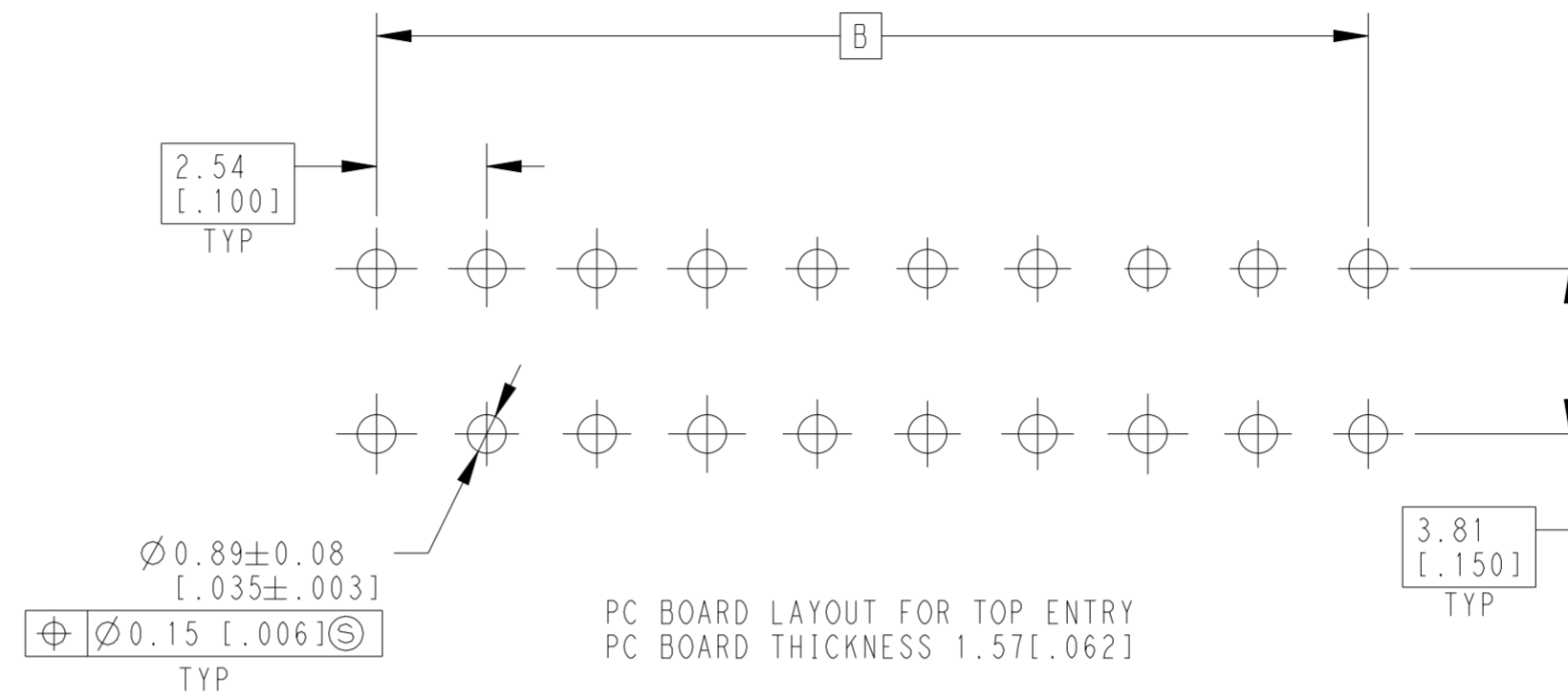
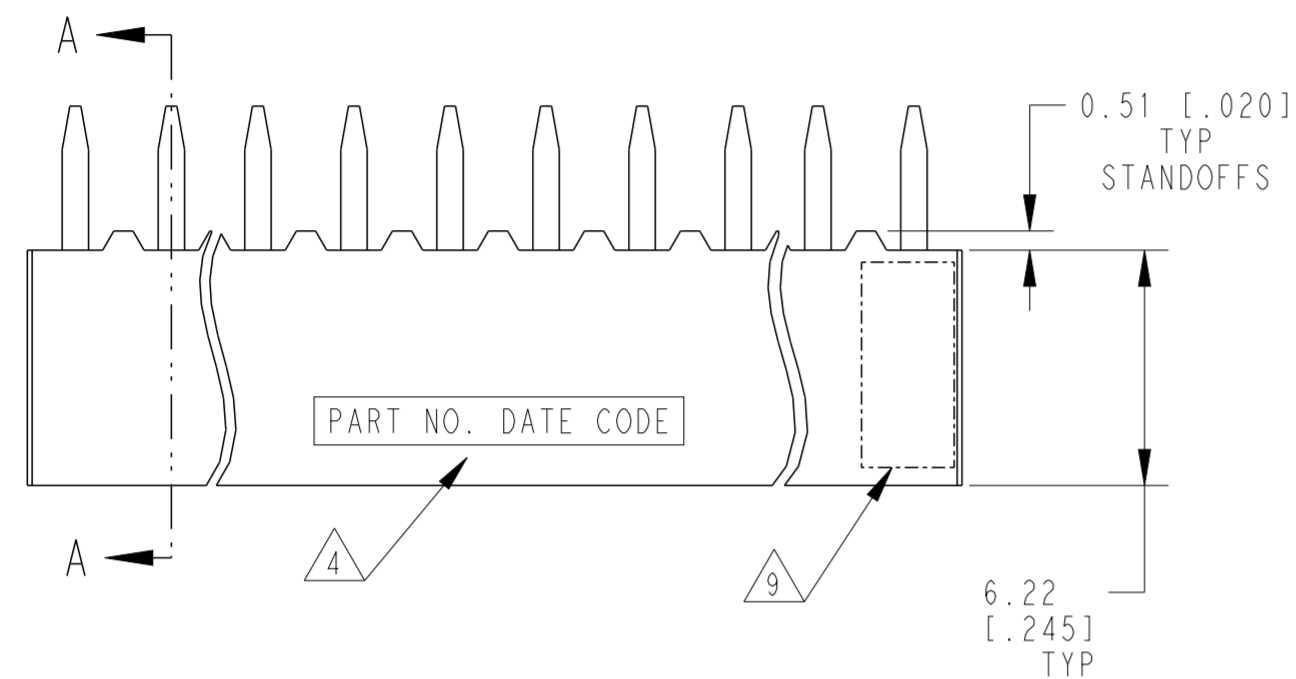


P	LTR	DESCRIPTION	DATE	DWN	APVD
V		RESIN SUPPLIER CHANGE FOR THE HOUSING	08NOV2021	SCB	KJK
W		RIB FEATURE IS ADDED IN THE STANDOFF FEATURE	02SEP2025	RS	GVP



PC BOARD LAYOUT FOR BOTTOM ENTRY  
PC BOARD THICKNESS 1.57[.062]

- 1 HOUSING: FLAME RETARDANT, GLASS FILLED, POLYESTER, COLOR: BLACK. CONTACT: PHOSPHOR BRONZE
- 2 CONTACT: DUPLEX PLATED 0.00076[.000030] MIN GOLD IN CONTACT AREA, 0.00381-0.00762[.000150 - .000300] BRIGHT TIN-LEAD ON LEADS, ALL OVER 0.00127[.000050] MINIMUM NICKEL.
- 3 THESE DIMENSIONS PERTAIN TO CAVITY CENTERLINES ONLY - NOT TO CONTACT LOCATIONS
- 4 MARK PART NUMBER AND DATE CODE ARE MARKED IN APPROXIMATE LOCATION SHOWN, EITHER SIDE.
- 5 TOLERANCE IS NON-CUMULATIVE.
- 6 2 POSITION DATE CODE IS MARKED OPPOSITE SIDE OF TE LOGO.
- 7 POINT-OF-MEASUREMENT DIMENSION FOR PLATING THICKNESS (INSIDE CONTACT BEAM).
- 8 POINT-OF-CONTACT DIMENSION.
- 9 TE CONNECTIVITY TRADEMARK AND CSA LOGO ARE MOLDED INTO HOUSING, THIS LOCATION.
- 10 NO PART NUMBER MARKING REQUIRED FOR THIS PART.
- 11 CONTACT: DUPLEX PLATED 0.00076[.000030] MIN GOLD IN CONTACT AREA, 0.00381-0.00762[.000150 - .000300] MATTE TIN ON LEADS, ALL OVER 0.00127[.000050] MINIMUM NICKEL
- 12 ROHS 2002/95/EC COMPLIANT


THIS DRAWING IS A CONTROLLED DOCUMENT.		DWN M. BINNER	06NOV02	<b>STE</b> TE Connectivity
DIMENSIONS: mm [INCHES]		CHK J. OLSON	06NOV02	
TOLERANCES UNLESS OTHERWISE SPECIFIED:		APVD J. OLSON	06NOV02	NAME RECEPTACLE ASSEMBLY, MOD IV, DOUBLE ROW, DUAL ENTRY, .100X.100CL, VERTICAL MOUNT, AMPMODU
0 PLC ± 1 PLC ± 2 PLC ±0.13[.005] 3 PLC ± 4 PLC ±		PRODUCT SPEC 108-25022	APPLICATION SPEC 114-25018	
MATERIAL 1	FINISH SEE TABLE	WEIGHT -	SCALE 5:1	RESTRICTED TO -
CUSTOMER DRAWING		SIZE A2	CAGE CODE 00779	DRAWING NO 535542
		SHEET 1 OF 2		REV W

REVISIONS

P	LTR	DESCRIPTION	DATE	DWN	APVD
-		SEE SHEET 1	-	-	-

△2	△1	99.06[3.900]	101.60[4.000]	80	9-535542-0
△2	△1	96.52[3.800]	99.06[3.900]	78	8-535542-9
△2	△1	93.98[3.700]	96.52[3.800]	76	8-535542-8
△2	△1	91.44[3.600]	93.98[3.700]	74	8-535542-7
△2	△1	88.90[3.500]	91.44[3.600]	72	8-535542-6
△2	△1	86.36[3.400]	88.90[3.500]	70	8-535542-5
△2	△1	83.82[3.300]	86.36[3.400]	68	8-535542-4
△2	△1	81.28[3.200]	83.82[3.300]	66	8-535542-3
△2	△1	78.74[3.100]	81.28[3.200]	64	8-535542-2
△2	△1	76.20[3.000]	78.74[3.100]	62	8-535542-1
△2	△1	73.66[2.900]	76.20[3.000]	60	8-535542-0
△2	△1	71.12[2.800]	73.66[2.900]	58	7-535542-9
△2	△1	68.58[2.700]	71.12[2.800]	56	7-535542-8
△2	△1	66.04[2.600]	68.58[2.700]	54	7-535542-7
△2	△1	63.50[2.500]	66.04[2.600]	52	7-535542-6
△2	△1	60.96[2.400]	63.50[2.500]	50	7-535542-5
△2	△1	58.42[2.300]	60.96[2.400]	48	7-535542-4
△2	△1	55.88[2.200]	58.42[2.300]	46	7-535542-3
△2	△1	53.34[2.100]	55.88[2.200]	44	7-535542-2
△2	△1	50.80[2.000]	53.34[2.100]	42	7-535542-1
△2	△1	48.26[1.900]	50.80[2.000]	40	7-535542-0
△2	△1	45.72[1.800]	48.26[1.900]	38	6-535542-9
△2	△1	43.18[1.700]	45.72[1.800]	36	6-535542-8
△2	△1	40.64[1.600]	43.18[1.700]	34	6-535542-7
△2	△1	38.10[1.500]	40.64[1.600]	32	6-535542-6
△2	△1	35.56[1.400]	38.10[1.500]	30	6-535542-5
△2	△1	33.02[1.300]	35.56[1.400]	28	6-535542-4
△2	△1	30.48[1.200]	33.02[1.300]	26	6-535542-3
△2	△1	27.94[1.100]	30.48[1.200]	24	6-535542-2
△2	△1	25.40[1.000]	27.94[1.100]	22	6-535542-1
△2	△1	22.86[.900]	25.40[1.000]	20	6-535542-0
△2	△1	20.32[.800]	22.86[.900]	18	5-535542-9
△2	△1	17.78[.700]	20.32[.800]	16	5-535542-8
△2	△1	15.24[.600]	17.78[.700]	14	5-535542-7
△2	△1	12.70[.500]	15.24[.600]	12	5-535542-6
△10	△2	10.16[.400]	12.70[.500]	10	5-535542-5
△10	△2	7.62[.300]	10.16[.400]	8	5-535542-4
△10	△2	5.08[.200]	7.62[.300]	6	5-535542-3
△10	△2	2.54[.100]	5.08[.200]	4	5-535542-2
△10	△2	-	2.54[.100]	2	△6 5-535542-1
FINISH	B	A	NO OF POSN	PART NUMBER	

△2	99.06[3.900]	101.60[4.000]	80	4-535542-0	
△2	96.52[3.800]	99.06[3.900]	78	3-535542-9	
△2	93.98[3.700]	96.52[3.800]	76	3-535542-8	
△2	91.44[3.600]	93.98[3.700]	74	3-535542-7	
△2	88.90[3.500]	91.44[3.600]	72	3-535542-6	
△2	86.36[3.400]	88.90[3.500]	70	3-535542-5	
△2	83.82[3.300]	86.36[3.400]	68	3-535542-4	
△2	81.28[3.200]	83.82[3.300]	66	3-535542-3	
△2	78.74[3.100]	81.28[3.200]	64	3-535542-2	
△2	76.20[3.000]	78.74[3.100]	62	3-535542-1	
△2	73.66[2.900]	76.20[3.000]	60	3-535542-0	
△2	71.12[2.800]	73.66[2.900]	58	2-535542-9	
△2	68.58[2.700]	71.12[2.800]	56	2-535542-8	
△2	66.04[2.600]	68.58[2.700]	54	2-535542-7	
△2	63.50[2.500]	66.04[2.600]	52	2-535542-6	
△2	60.96[2.400]	63.50[2.500]	50	2-535542-5	
△2	58.42[2.300]	60.96[2.400]	48	2-535542-4	
△2	55.88[2.200]	58.42[2.300]	46	2-535542-3	
△2	53.34[2.100]	55.88[2.200]	44	2-535542-2	
△2	50.80[2.000]	53.34[2.100]	42	2-535542-1	
△2	48.26[1.900]	50.80[2.000]	40	2-535542-0	
△2	45.72[1.800]	48.26[1.900]	38	1-535542-9	
△2	43.18[1.700]	45.72[1.800]	36	1-535542-8	
△2	40.64[1.600]	43.18[1.700]	34	1-535542-7	
△2	38.10[1.500]	40.64[1.600]	32	1-535542-6	
△2	35.56[1.400]	38.10[1.500]	30	1-535542-5	
△2	33.02[1.300]	35.56[1.400]	28	1-535542-4	
△2	30.48[1.200]	33.02[1.300]	26	1-535542-3	
△2	27.94[1.100]	30.48[1.200]	24	1-535542-2	
△2	25.40[1.000]	27.94[1.100]	22	1-535542-1	
△2	22.86[.900]	25.40[1.000]	20	1-535542-0	
△2	20.32[.800]	22.86[.900]	18	535542-9	
△2	17.78[.700]	20.32[.800]	16	535542-8	
△2	15.24[.600]	17.78[.700]	14	535542-7	
△2	12.70[.500]	15.24[.600]	12	535542-6	
△10	10.16[.400]	12.70[.500]	10	535542-5	
△10	7.62[.300]	10.16[.400]	8	535542-4	
△10	5.08[.200]	7.62[.300]	6	535542-3	
△10	2.54[.100]	5.08[.200]	4	535542-2	
△10	-	2.54[.100]	2	△6 535542-1	
FINISH	B	A	NO OF POSN	PART NUMBER	

THIS DRAWING IS A CONTROLLED DOCUMENT.		DWN M. BINNER 06NOV02	 TE Connectivity	
DIMENSIONS: mm [INCHES]		CHK J. OLSON 06NOV02		
TOLERANCES UNLESS OTHERWISE SPECIFIED: 0 PLC ± 1 PLC ± 2 PLC ±0.13[.005] 3 PLC ± 4 PLC ±		APVD J. OLSON 06NOV02	NAME RECEPTACLE ASSEMBLY, MOD IV, DOUBLE ROW, DUAL ENTRY, .100X.100CL, VERTICAL MOUNT, AMPMODU	
MATERIAL △1		PRODUCT SPEC 108-25022	SIZE A2	CAGE CODE 00779
SEE TABLE		APPLICATION SPEC 114-25018	DRAWING NO C-535542	RESTRICTED TO -
		WEIGHT -	SCALE 5:1	SHEET 2 OF 2
		CUSTOMER DRAWING	REV W	