

3-794628-6 ✓ ACTIVE

MATE-N-LOK | Micro MATE-N-LOK

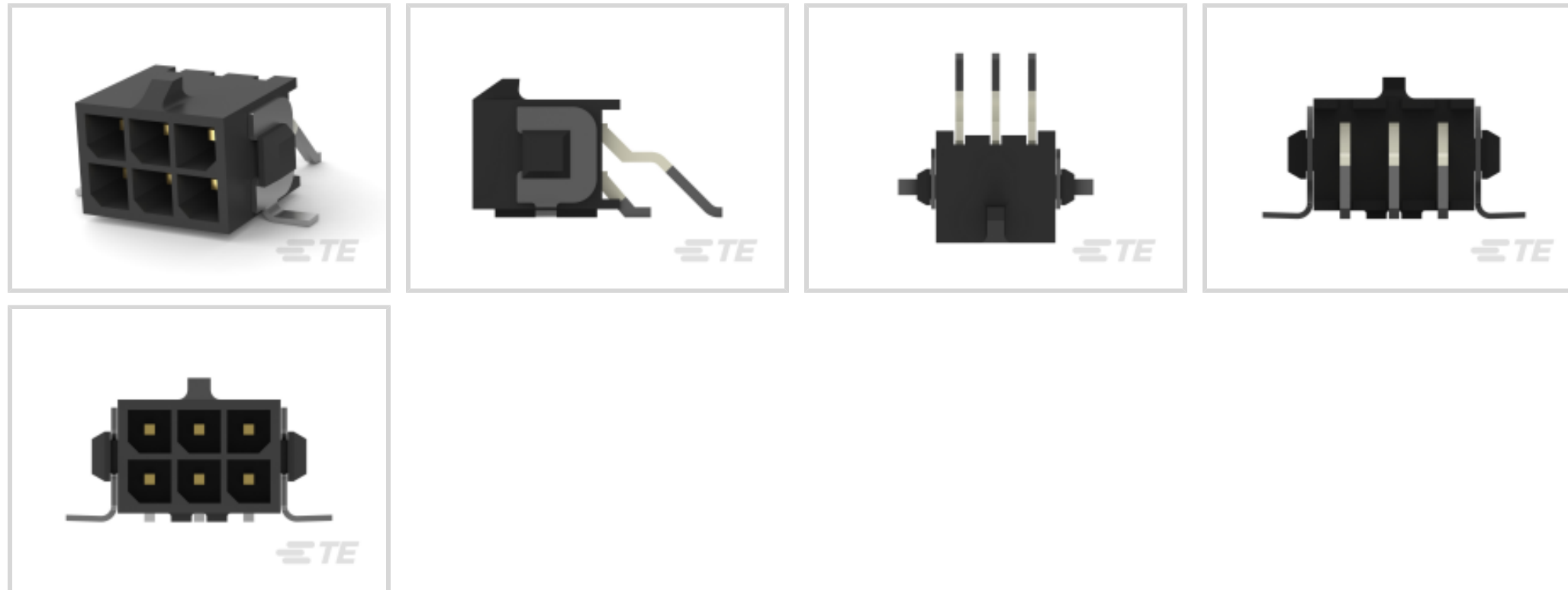
TE Internal #: 3-794628-6

PCB Mount Header, Right Angle, Wire-to-Board, 6 Position, 3 mm [.118 in] Centerline, Fully Shrouded, Gold, Surface Mount, Power, Micro MATE-N-LOK

[View on TE.com >](#)



Connectors > PCB Connectors > PCB Headers & Receptacles



EU RoHS Compliance: **Compliant**

EU ELV Compliance: **Compliant**

PCB Connector Assembly Type: **PCB Mount Header**

PCB Mount Orientation: **Right Angle**

Connector System: **Wire-to-Board**

Features

Other

| | |
|--------------------|-----------|
| EU RoHS Compliance | Compliant |
| EU ELV Compliance | Compliant |

Product Type Features

| | |
|-----------------------------------|-----------------------|
| Mixed & Hybrid Header | No |
| Connector Shape | Rectangular |
| PCB Connector Assembly Type | PCB Mount Header |
| Connector System | Wire-to-Board |
| Header Type | Fully Shrouded |
| Sealable | No |
| Connector & Contact Terminates To | Printed Circuit Board |

Configuration Features

| | |
|----------------------------|---|
| Number of Columns | 3 |
| Number of Loaded Positions | 6 |
| Number of Power Positions | 6 |



| | |
|----------------------------------|--------------|
| Connector Contact Load Condition | Fully Loaded |
|----------------------------------|--------------|

| | |
|-----------------------|-------------|
| PCB Mount Orientation | Right Angle |
|-----------------------|-------------|

| | |
|---------------------|---|
| Number of Positions | 6 |
|---------------------|---|

| | |
|----------------|---|
| Number of Rows | 2 |
|----------------|---|

Electrical Characteristics

| | |
|-------------------|---------|
| Operating Voltage | 250 VDC |
|-------------------|---------|

Body Features

| | |
|--------------------------------|-----------------|
| PCB Retention Feature Material | Phosphor Bronze |
|--------------------------------|-----------------|

| | |
|--|-----|
| PCB Retention Feature Plating Material | Tin |
|--|-----|

| | |
|-----------------------|-------|
| Primary Product Color | Black |
|-----------------------|-------|

Contact Features

| | |
|-------------------------------|--------|
| Contact Underplating Material | Nickel |
|-------------------------------|--------|

| | |
|---|--|
| Contact Underplating Material Thickness | 1.27 – 2.54 μm [50 – 100 μin] |
|---|--|

| | |
|--|-------|
| PCB Contact Termination Area Plating Material Finish | Matte |
|--|-------|

| | |
|--------------|-------|
| Contact Size | .64mm |
|--------------|-------|

| | |
|--|--|
| Contact Mating Area Plating Material Thickness | .38 μm [15 μin] |
|--|--|

| | |
|------------------------------|-----------------|
| Mating Square Post Dimension | .64 mm[.025 in] |
|------------------------------|-----------------|

| | |
|----------------------|--------|
| Contact Shape & Form | Square |
|----------------------|--------|

| | |
|---|---|
| PCB Contact Termination Area Plating Material Thickness | 2.54 – 7.62 μm [100 – 300 μin] |
|---|---|

| | |
|----------------|--------|
| Contact Layout | Matrix |
|----------------|--------|

| | |
|----------------------------|------------------|
| Contact Mating Area Length | 4.15 mm[.163 in] |
|----------------------------|------------------|

| | |
|-----------------------|-------|
| Contact Base Material | Brass |
|-----------------------|-------|

| | |
|---|-----|
| PCB Contact Termination Area Plating Material | Tin |
|---|-----|

| | |
|--------------------------------------|------|
| Contact Mating Area Plating Material | Gold |
|--------------------------------------|------|

| | |
|--------------|-----|
| Contact Type | Tab |
|--------------|-----|

| | |
|------------------------------|-----|
| Contact Current Rating (Max) | 5 A |
|------------------------------|-----|

Termination Features

| | |
|--|-----------------|
| Square Termination Post & Tail Dimension | .64 mm[.025 in] |
|--|-----------------|

| | |
|---------------------------|---------------|
| Termination Method to PCB | Surface Mount |
|---------------------------|---------------|

Mechanical Attachment

| | |
|---------------------|---------|
| Panel Mount Feature | Without |
|---------------------|---------|

| | |
|-----------------------|-------------|
| Mating Retention Type | Locking Tab |
|-----------------------|-------------|



| | |
|--------------------------|--------------|
| Mating Retention | With |
| Mating Alignment Type | Polarization |
| PCB Mount Retention Type | Hold-Down |
| PCB Mount Retention | With |
| PCB Mount Alignment | Without |
| Connector Mounting Type | Board Mount |
| Mating Alignment | With |

Housing Features

| | |
|-----------------------|------------------------|
| Mating Entry Location | Side |
| Housing Material | High Temperature Nylon |
| Centerline (Pitch) | 3 mm [.118 in] |

Dimensions

| | |
|-----------------------------|-------------------|
| Row-to-Row Spacing | 3 mm [.118 in] |
| PCB Thickness (Recommended) | 1.57 mm [.062 in] |
| Connector Height | 7.37 mm [.29 in] |
| Connector Length | 13 mm [.512 in] |

Usage Conditions

| | |
|-----------------------------|-----------------------------|
| Operating Temperature (Max) | 105 °C [221 °F] |
| Operating Temperature Range | -40 – 105 °C [-40 – 221 °F] |

Operation/Application

| | |
|---------------------|-------|
| Circuit Application | Power |
|---------------------|-------|

Industry Standards

| | |
|---|---------------------------|
| Compatible With Agency/Standards Products | USR, CNR |
| UL Rating | Recognized |
| Compatible With Approved Standards Products | UL E28476 |
| Glow Wire Rating | GWT 750°C (Without Flame) |
| UL Flammability Rating | UL 94V-0 |

Packaging Features

| | |
|--------------------|------|
| Packaging Quantity | 150 |
| Packaging Method | Tape |

Product Compliance

[For compliance documentation, visit the product page on TE.com>](#)

| | |
|---|---|
| EU RoHS Directive 2011/65/EU | Compliant |
| EU ELV Directive 2000/53/EC | Compliant |
| China RoHS 2 Directive MIIT Order No 32, 2016 | No Restricted Materials Above Threshold |
| EU REACH Regulation (EC) No. 1907/2006 | Current ECHA Candidate List: JUNE 2024 (241) Candidate List Declared Against: JUNE 2024 (241) Does not contain REACH SVHC |
| Halogen Content | Low Halogen - Br, Cl, F, I < 900 ppm per homogenous material. Also BFR/CFR/PVC Free |
| Solder Process Capability | Reflow solder capable to 260°C |

Product Compliance Disclaimer

This information is provided based on reasonable inquiry of our suppliers and represents our current actual knowledge based on the information they provided. This information is subject to change. The part numbers that TE has identified as EU RoHS compliant have a maximum concentration of 0.1% by weight in homogenous materials for lead, hexavalent chromium, mercury, PBB, PBDE, DBP, BBP, DEHP, DIBP, and 0.01% for cadmium, or qualify for an exemption to these limits as defined in the Annexes of Directive 2011/65/EU (RoHS2). Finished electrical and electronic equipment products will be CE marked as required by Directive 2011/65/EU. Components may not be CE marked. Additionally, the part numbers that TE has identified as EU ELV compliant have a maximum concentration of 0.1% by weight in homogenous materials for lead, hexavalent chromium, and mercury, and 0.01% for cadmium, or qualify for an exemption to these limits as defined in the Annexes of Directive 2000/53/EC (ELV). Regarding the REACH Regulation, the information TE provides on SVHC in articles for this part number is based on the latest European Chemicals Agency (ECHA) 'Guidance on requirements for substances in articles' posted at this URL: <https://echa.europa.eu/guidance-documents/guidance-on-reach>

Compatible Parts



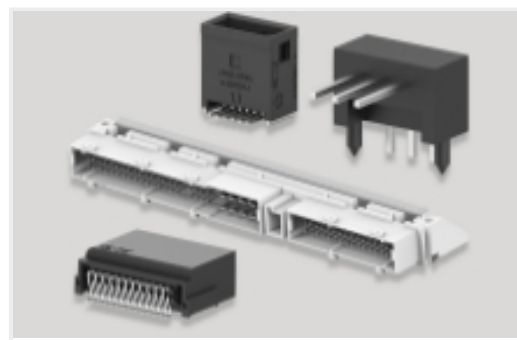
Also in the Series | **Micro MATE-N-LOK**



Connector Contacts(27)



Insertion & Extraction Tools(1)



PCB Headers & Receptacles(371)



Rectangular Power Connectors(98)

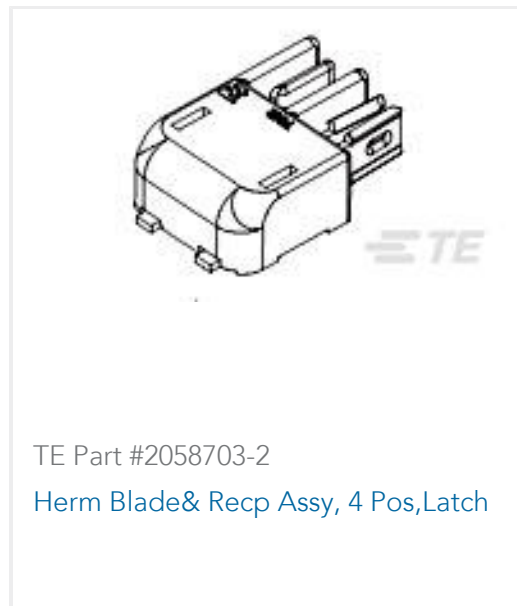
Customers Also Bought



TE Part #1011-055-1205
SEAL RET, 12P, BRN, DTM, D



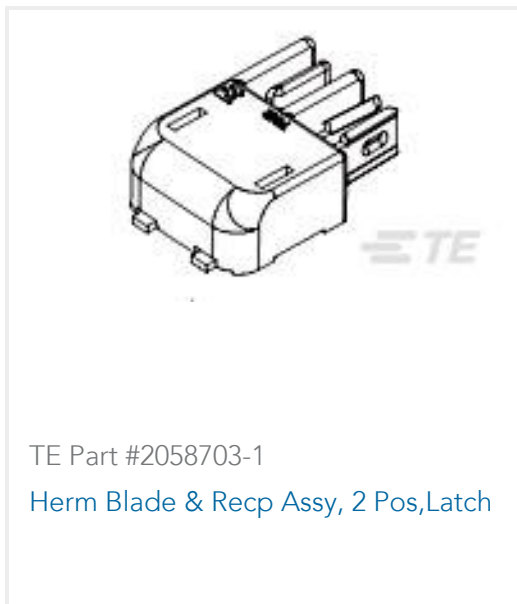
TE Part #3-794629-2
02P MICRO MNL ASSY,R/A,SMT,LF



TE Part #2058703-2
Herm Blade& Recp Assy, 4 Pos,Latch



TE Part #2-520264-2
ULTRAFast 250 ASSY REC 22-18
TPBR LP



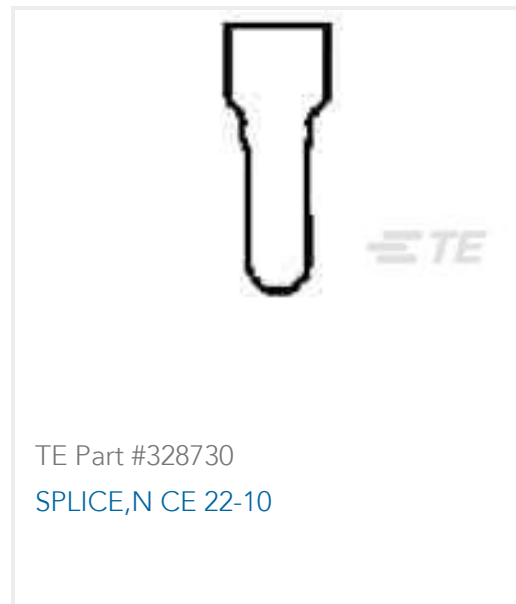
TE Part #2058703-1
Herm Blade & Recp Assy, 2 Pos,Latch



TE Part #5406721-2
MJ,RJ45,SM,TGRAY,13" REEL



TE Part #2-1445091-2
MICRO MNL HDR ASSY S/ROW AU LF



TE Part #328730
SPLICE,N CE 22-10



TE Part #5-534206-9
18 MODII VRT DR CE 100/115



TE Part #3-794637-8
08P MICRO MNL ASSY,VRT,SMT LF

Documents

Product Drawings

06P MICRO MNL ASSY,R/A,SMT LF

English

CAD Files

3D PDF

3D

Customer View Model

ENG_CVM_CVM_3-794628-6_K.2d_dxf.zip



English

Customer View Model

[ENG_CVM_CVM_3-794628-6_K.3d_igs.zip](#)

English

Customer View Model

[ENG_CVM_CVM_3-794628-6_K.3d_stp.zip](#)

English

By downloading the CAD file I accept and agree to the [Terms and Conditions](#) of use.

Datasheets & Catalog Pages

[SOFT_SHELL_PIN_AND_SOCKET_CONNECTORS_CATALOG](#)

English

[MICRO MATE-N-LOK CONNECTOR SYSTEM](#)

English

Product Specifications

[Application Specification](#)

English

Agency Approvals

[VDE Certificate](#)

English