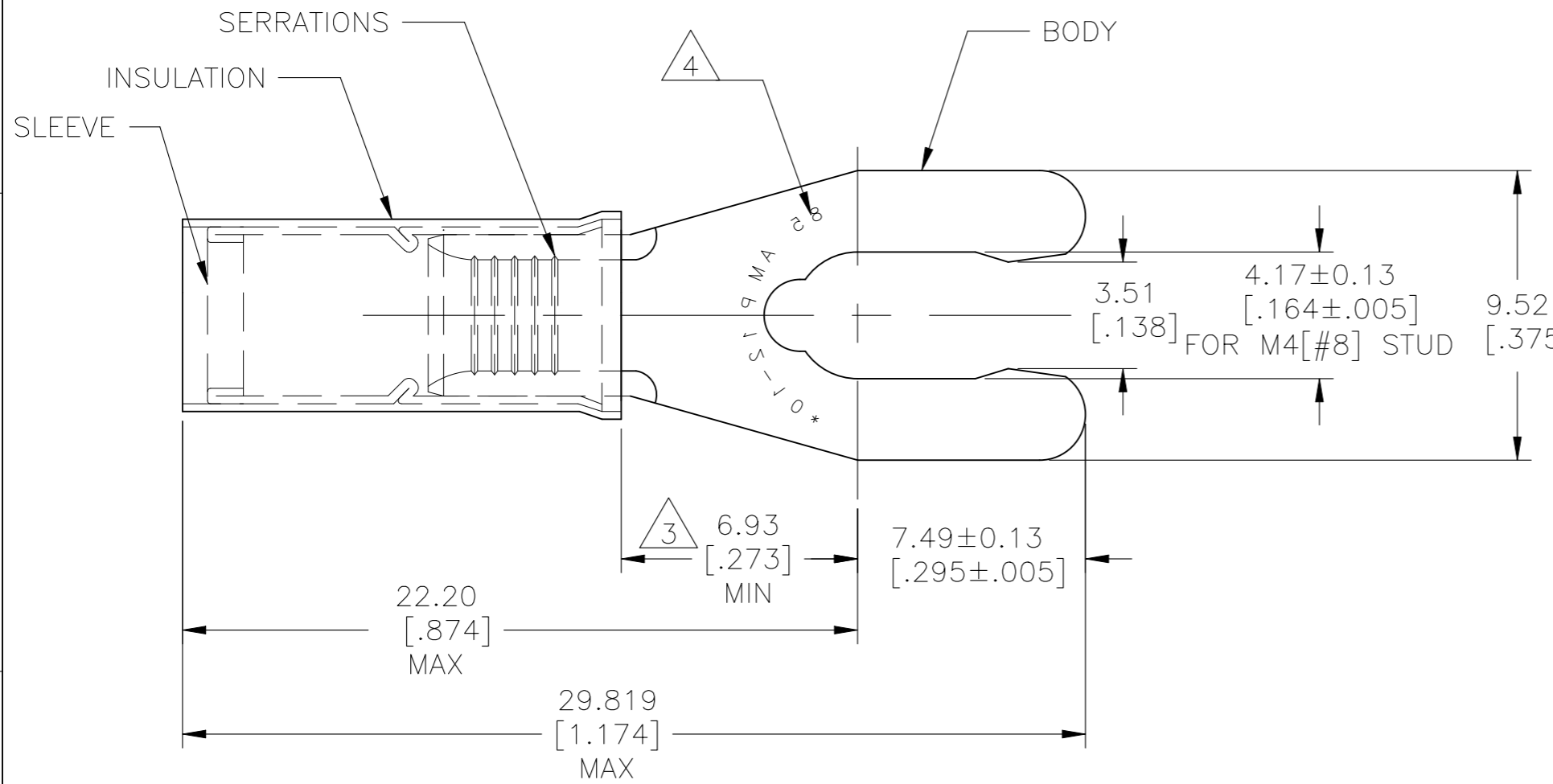


REVISIONS

P	LTR	DESCRIPTION	DATE	DWN	APVD
	H3	REVISED PER ECR-25-255998	11SEP2025	SA	DSC



AMP WIRE RANGE	Listed FILE E13288
12-10 AWG SOLID OR STRANDED	12-10 AWG SOLID OR STRANDED

- 1 FOR WIRE INSULATION DIA:
3.81[.150] TO 6.35[.250]
- 2 TONGUE MATERIAL THK: 0.98±0.05[.0385±.0020]
- 3 DIMENSION APPLIES FROM EDGE OF METAL
WIRE BARREL TO CENTER OF STUD.
- 4 STAMP 85 AMP 12-10* APPROX AS SHOWN
- 5 MATERIAL:
BODY: PHOSPHOR BRONZE PER ASTM B139
SLEEVE: COPPER PER ASTM B152
INSULATION: NYLON.
- 6 FINISH:
BODY&SLEEVE: TIN PLATE PER ASTM B545
INSULATION: COLOR-YELLOW

1 KIT = 100 PIECES	LOOSE PIECE	6-52431-0
2500	ON TAPE REEL	52431-3
500	LOOSE PIECE	52431-1
QTY	PACKAGE TYPE	PART NO

AMP INCORPORATED CUSTOMER SERVICE SYSTEMS

THIS DRAWING IS A CONTROLLED DOCUMENT.

DWN 27MAR12
KIRAN HOLAL

CHK 27MAR12
ROHDE DANIEL

APVD 27MAR12
ROHDE DANIEL

PRODUCT SPEC

APPLICATION SPEC

WEIGHT -



NAME
WIRE TERMINAL
P.I.D.G SPRING SPADE
WIRE SIZE: 12-10 AWG

SIZE	CAGE CODE	DRAWING NO	RESTRICTED TO
A3	00779	C-52431	-

FOR ADDITIONAL PRODUCT INFORMATION OR COPIES OF DRAWINGS AND TECHNICAL DOCUMENTS	PRODUCT INFORMATION CENTER 1-800-522-6752
FOR APPLICATION TOOLING INFORMATION	TOOLING ASSISTANCE CENTER 1-800-722-1111
FOR ORDER ENTRY	1-800-526-5142

RECOMMENDED OPERATING TEMPERATURE:
105°C [221°F]

VOLTAGE RATING:
300V MAX

WIRE CROSS SECTIONAL AREA RANGE:
2.62-6.64mm² [5,180-13,100]
SOLID OR STRANDED

DIMENSIONS: mm [INCHES]	TOLERANCES UNLESS OTHERWISE SPECIFIED:
	0 PLC ± -
	1 PLC ± -
	2 PLC ± 0.20[.008]
	3 PLC ± -
	4 PLC ± -
	ANGLES ± 5°
MATERIAL	FINISH
5	6

CUSTOMER DRAWING SCALE 8:1 SHEET 1 OF 1 REV H3