



Part Number : [1731120307](#)

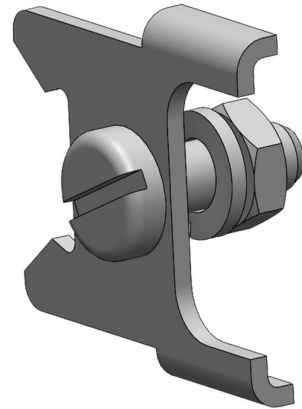
Product Description : FCT Locking Plate for Spring Lock, for Size 1-4 D-sub, with Mounting Screws, Stainless Steel

Series Number : 173112

Status : Active

Product Category : D-Sub Accessories

Engineering Number : F1044-1




Documents & Resources

Specifications

[1731120005-PK-000.pdf](#)

Product Environment Compliance

Compliance

GADSL/IMDS	Not Relevant
China RoHS	
EU ELV	Not Relevant
Low-Halogen Status	Not Reviewed per IEC 61249-2-21
REACH SVHC	Not Contained per D(2024)6225-DC (07 Nov 2024)
EU RoHS	Compliant per EU 2015/863

Multiple Part Product Compliance Statements

- Eu RoHS
- REACH SVHC
- Low-Halogen

Multiple Part Industry Compliance Documents

- IPC 1752A Class C
- IPC 1752A Class D
- Molex Product Compliance Declaration
- IEC-62474

Part Details

General

Status	Active
Category	D-Sub Accessories
Series	173112
Description	FCT Locking Plate for Spring Lock, for Size 1-4 D-sub, with Mounting Screws, Stainless Steel
IP Rating	N/A
Magnetic	Yes
Product Name	FCT Products
Type	Connector or Backshell
UPC	889056817097

Physical

Accessory Type	Locking Plate
Material - Body	Stainless Steel
Material - Screw	Stainless Steel
Net Weight	1.500/g
Packaging Type	Bag
Thread Size	4-40 UNC
Thread Type	Standard

Use with Part(s)

Description	Part Number
Use With	FCT D-Sub, Sizes 1-4
