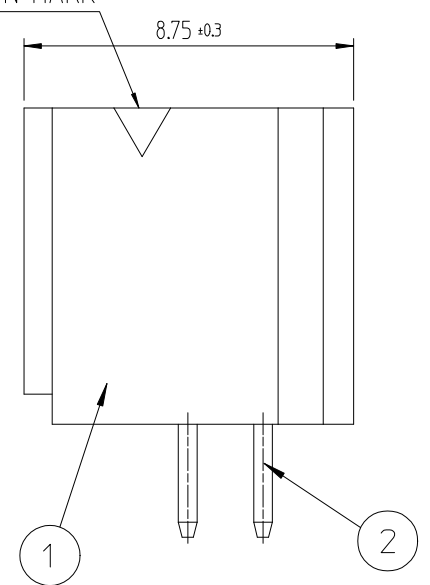
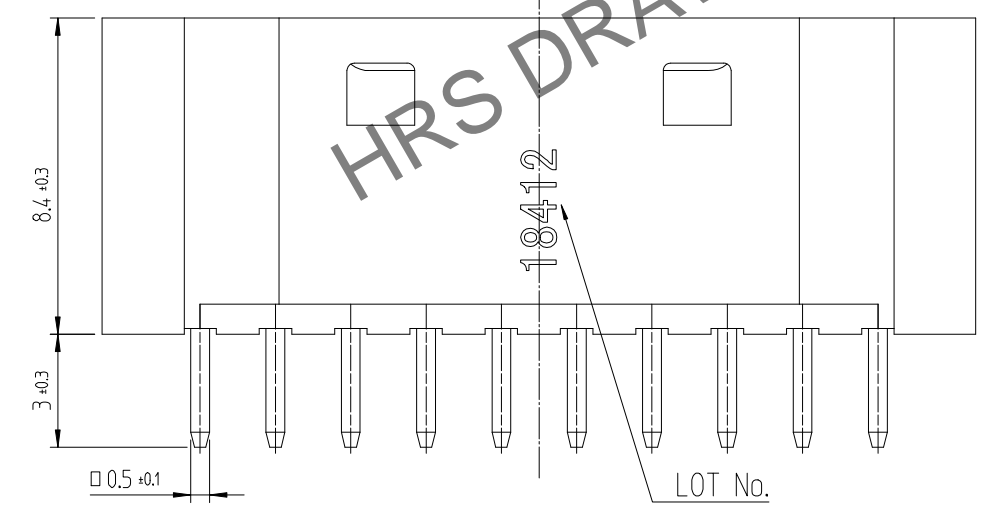
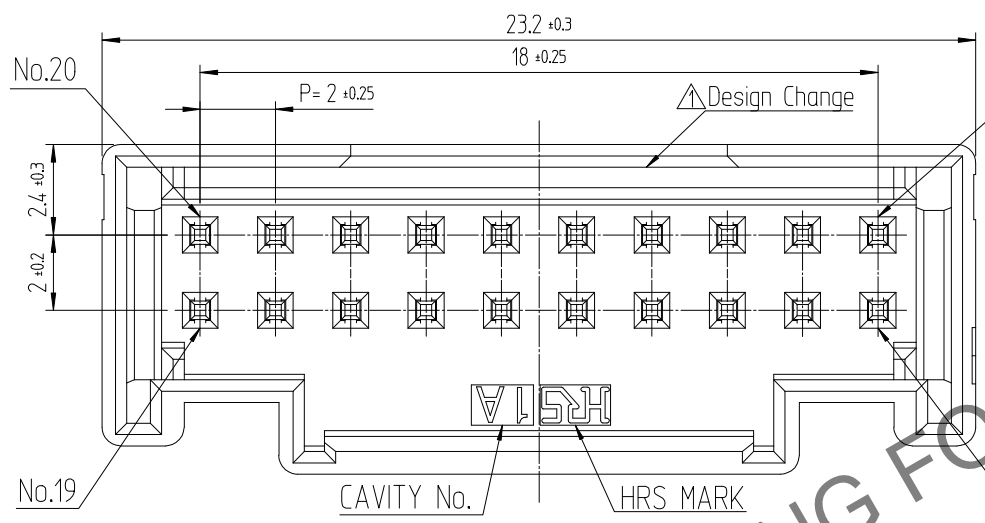
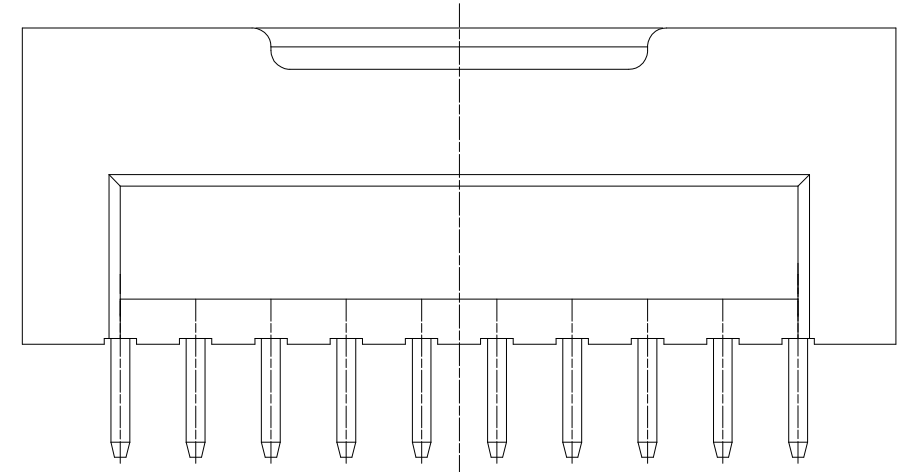
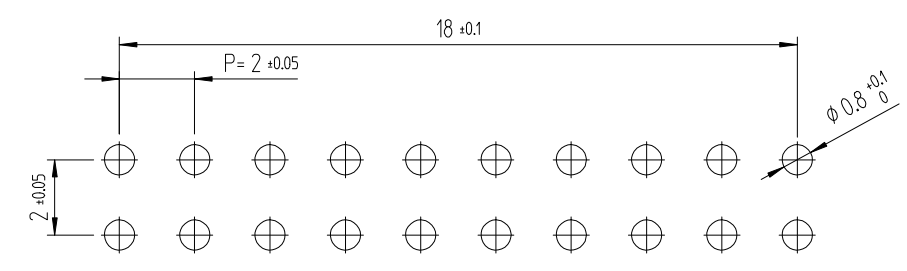


In case of consideration for using Automotive equipment / device which demand high reliability, kindly contact our sales window.

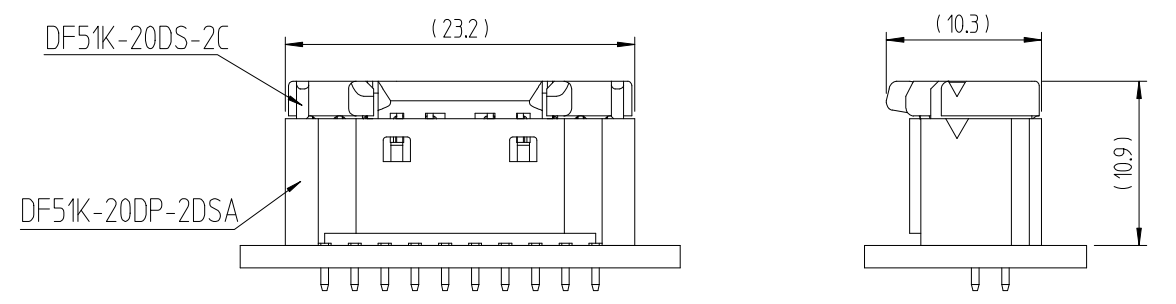


△數 COUNT	訂正事項 DESCRIPTION OF REVISIONS	擔當 B Y	檢圖 CHKD	年月日 DATE	△數 COUNT	訂正事項 DESCRIPTION OF REVISIONS	擔當 B Y	檢圖 CHKD	年月日 DATE
1	RE-6-1150	K.I.Y	L.S.M	18. 07. 04					
2	RE-6-1579	K.I.Y	L.S.M	20. 01. 23					

RECOMMENDED LAND PATTERN (FREE)
(PCB THICKNESS t=1.6mm)



ENGAGEMENT FIGURE (2:1)



NOTE 1. 1PACK CONTAINS 100PCS.
2. () DIMENSIONS ARE ONLY REFERENCE.
3. UL(File No. E132750) AUTHORIZATION ARTICLE.
C-UL(File No. E132750) AUTHORIZATION ARTICLE.



1	PA66	UL94V-0, BLACK	2	BRASS	GOLD PLATING 0.1μm MIN, OVER NICKEL 0.5μm MIN	
NO.	MATERIAL	FINISH,REMARKS	NO.	MATERIAL	FINISH,REMARKS	
CODE NO. (OLD)			DRAWN	DESIGNED	CHECKED	APPROVED
			CHOI 17.12.22 J.S	CHOI 17.12.22 J.S	LIM 17.12.22 S.M	KANG 17.12.22 T.S
			RELEASED		ENG 20.02.12 DEPT	
DRAWING NO. EDC3-632465			PART NO. DF51K-20DP-2DSA (805)			
SCALE 5:1			CODE NO. CL 6652-0014-3-805			
UNITS mm			HRS HIROSE KOREA CO.,LTD.			
						1/1