

42580-2 ✓ ACTIVE

FASTIN-FASTON | FASTIN-FASTON 250

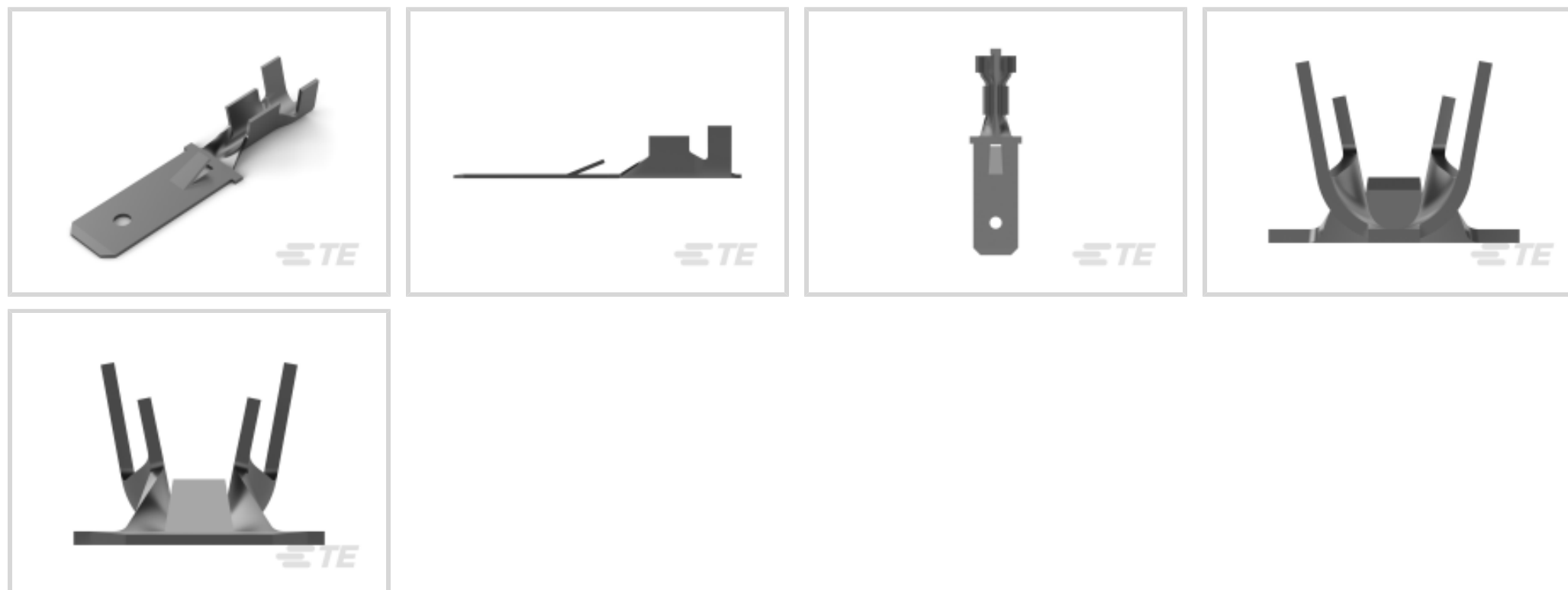
TE Internal #: 42580-2

Receptacle, 18 – 14 AWG Wire Size, .82 – 2.08 mm<sup>2</sup> Wire Size,  
Mating Tab Width 6.35 mm [.25 in], Straight, Brass, FASTIN-  
FASTON 250, Quick Disconnects

[View on TE.com >](#)



Terminals & Splices > Quick Disconnects



Quick Disconnect Terminal Type: **Receptacle**

Wire Size: **.82 – 2.08 mm<sup>2</sup>**

Mating Tab Width: **6.35 mm [.25 in]**

Mating Tab Thickness: **.41 mm [.016 in]**

## Features

### Mechanical Attachment

|                         |               |
|-------------------------|---------------|
|                         | .06 in        |
| Wire Insulation Support | With          |
| Mating Retention Type   | Locking Lance |

### Contact Features

|                                |                  |
|--------------------------------|------------------|
| Quick Disconnect Terminal Type | Receptacle       |
| Mating Tab Width               | 6.35 mm [.25 in] |
| Mating Tab Thickness           | .41 mm [.016 in] |
| Terminal Orientation           | Straight         |
| Contact Base Material          | Brass            |
| Terminal Plating Material      | Tin              |
| Crimp Type                     | F-Crimp          |
| Barrel Type                    | Open             |

### Dimensions

|                |                            |
|----------------|----------------------------|
| Wire Size      | .82 – 2.08 mm <sup>2</sup> |
| Product Length | 27.96 mm [1.101 in]        |



|                                      |                                |
|--------------------------------------|--------------------------------|
| Compatible Insulation Diameter Range | 3.05 – 3.68 mm [.12 – .145 in] |
|--------------------------------------|--------------------------------|

|                             |                  |
|-----------------------------|------------------|
| Terminal Material Thickness | .41 mm [.016 in] |
|-----------------------------|------------------|

### Packaging Features

|                  |            |
|------------------|------------|
| Packaging Method | Strip/Reel |
|------------------|------------|

|                    |      |
|--------------------|------|
| Packaging Quantity | 8000 |
|--------------------|------|

### Product Type Features

|                 |        |
|-----------------|--------|
| Insertion Force | Normal |
|-----------------|--------|

### Usage Conditions

|                   |             |
|-------------------|-------------|
| Insulation Option | Uninsulated |
|-------------------|-------------|

|                             |                             |
|-----------------------------|-----------------------------|
| Operating Temperature Range | -40 – 110 °C [-40 – 230 °F] |
|-----------------------------|-----------------------------|

### Other

|                    |           |
|--------------------|-----------|
| EU RoHS Compliance | Compliant |
|--------------------|-----------|

|                   |           |
|-------------------|-----------|
| EU ELV Compliance | Compliant |
|-------------------|-----------|

### Configuration Features

|                                   |               |
|-----------------------------------|---------------|
| Compatible With Wire & Cable Type | Discrete Wire |
|-----------------------------------|---------------|

|                     |        |
|---------------------|--------|
| Connection Capacity | Single |
|---------------------|--------|

### Termination Features

|                       |              |
|-----------------------|--------------|
| Product Terminates To | Wire & Cable |
|-----------------------|--------------|

### Industry Standards

|   |         |
|---|---------|
| Compatible With Agency/Standards Products | UL, CSA |
|---|---------|

## Product Compliance

[For compliance documentation, visit the product page on TE.com>](#)

|                              |           |
|------------------------------|-----------|
| EU RoHS Directive 2011/65/EU | Compliant |
|------------------------------|-----------|

|                             |           |
|-----------------------------|-----------|
| EU ELV Directive 2000/53/EC | Compliant |
|-----------------------------|-----------|

|   |   |
|---|---|
| China RoHS 2 Directive MIIT Order No 32, 2016 | No Restricted Materials Above Threshold |
|---|---|

|  |   |
|--|---|
| EU REACH Regulation (EC) No. 1907/2006 | Current ECHA Candidate List: JUNE 2024 (241)<br>Candidate List Declared Against: JUNE 2024 (241)<br>Does not contain REACH SVHC |
|--|---|

|                 |   |
|-----------------|---|
| Halogen Content | Low Halogen - Br, Cl, F, I < 900 ppm per homogenous material. Also BFR/CFR/PVC Free |
|-----------------|---|

Solder Process Capability

Not applicable for solder process capability

Product Compliance Disclaimer

This information is provided based on reasonable inquiry of our suppliers and represents our current actual knowledge based on the information they provided. This information is subject to change. The part numbers that TE has identified as EU RoHS compliant have a maximum concentration of 0.1% by weight in homogenous materials for lead, hexavalent chromium, mercury, PBB, PBDE, DBP, BBP, DEHP, DIBP, and 0.01% for cadmium, or qualify for an exemption to these limits as defined in the Annexes of Directive 2011/65/EU (RoHS2). Finished electrical and electronic equipment products will be CE marked as required by Directive 2011/65/EU. Components may not be CE marked. Additionally, the part numbers that TE has identified as EU ELV compliant have a maximum concentration of 0.1% by weight in homogenous materials for lead, hexavalent chromium, and mercury, and 0.01% for cadmium, or qualify for an exemption to these limits as defined in the Annexes of Directive 2000/53/EC (ELV). Regarding the REACH Regulation, the information TE provides on SVHC in articles for this part number is based on the latest European Chemicals Agency (ECHA) 'Guidance on requirements for substances in articles' posted at this URL: <https://echa.europa.eu/guidance-documents/guidance-on-reach>

### Compatible Parts



REPRESENTATION ONLY

TE Part # 720725-1  
DAHT 250 FASTIN-ON TAB REC 18-14 ASSY



TE Part # 2150046-2  
OCEAN\_2.0 APPLICATOR-E-110F160F-REA



TE Part # 60434-1  
FF 187 TAB 20-16AWG TPBR



KIT

REPRESENTATION ONLY

TE Part # 7-2150046-7  
OCEAN\_2.0 SPARE PART KIT-110F160F

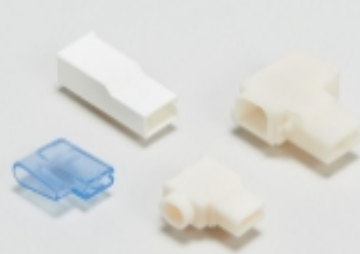


KIT


REPRESENTATION ONLY

TE Part # 7-2150346-7  
OC-110F160OV-CRIMPTOOLINGKIT


### Also in the Series | FASTIN-FASTON 250




Crimp Terminal Housings(207)



Insertion & Extraction Tools(2)

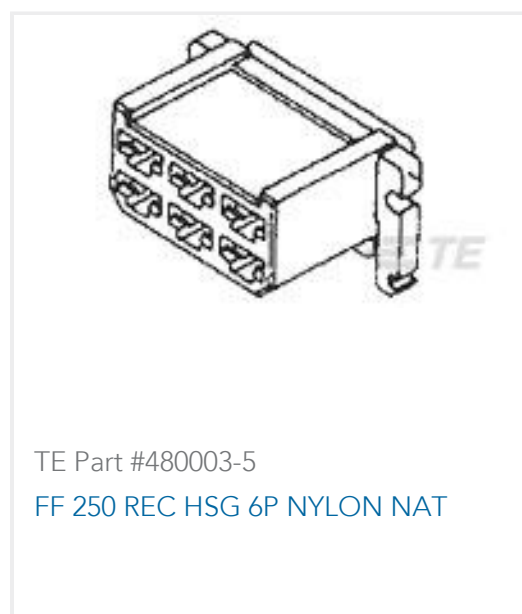


PCB Terminals(2)

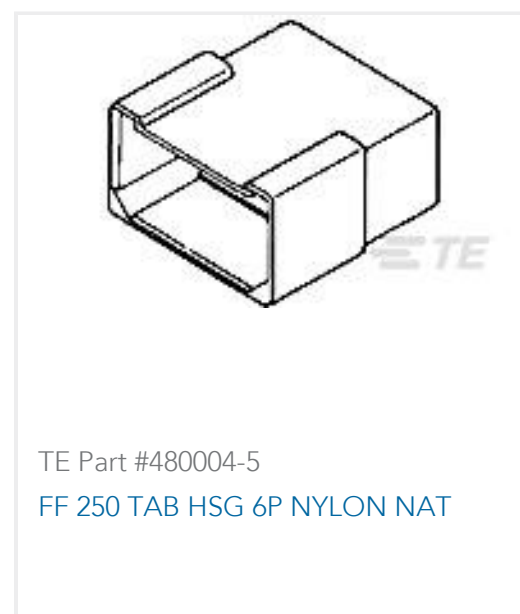


Quick Disconnects(250)

### Customers Also Bought



TE Part #480003-5  
FF 250 REC HSG 6P NYLON NAT



TE Part #480004-5  
FF 250 TAB HSG 6P NYLON NAT



TE Part #1-925017-0  
250 FASTON HSG., REC., 1 POS,  
NATURAL



TE Part #928962-4  
FF 250 TAB 17-13 AWG .016 TPBR



TE Part #42281-2  
FF 250 REC 18-14AWG TPBR



TE Part #60253-2  
FF 250 REC 16-12AWG TPBR



TE Part #60701-1  
FF 250 TAB 14-10AWG TPBR



TE Part #62253-2  
250 FASTON REC 14-10 TPBR



TE Part #62553-3  
FF 250 TAB 22-18AWG TPBR



TE Part #3-1393250-2  
W28-XQ1A-2=W28-

## Documents

### Product Drawings

[FF 250 REC 18-14AWG TPBR](#)

English

### CAD Files

[3D PDF](#)

3D

Customer View Model

[ENG\\_CVM\\_CVM\\_42580-2\\_V\\_c-42580-2-v.2d\\_dxf.zip](#)

English

Customer View Model

[ENG\\_CVM\\_CVM\\_42580-2\\_V\\_c-42580-2-v.3d\\_igs.zip](#)

English

Customer View Model

[ENG\\_CVM\\_CVM\\_42580-2\\_V\\_c-42580-2-v.3d\\_stp.zip](#)

English

By downloading the CAD file I accept and agree to the [Terms and Conditions](#) of use.

### Datasheets & Catalog Pages



## FASTIN\_FASTON\_Product\_Line

English

---

### Product Specifications

#### Application Specification

English