



M12 Connector

TE Internal #: T4110501041-000

Cable-to-Cable, 4 Position, Sealable, Wire & Cable, Signal, Cable Mount (Free-Hanging), Reverse Gender, M12 Connector, Standard Circular Connectors

[View on TE.com >](#)

Connectors > Circular Connectors > Standard Circular Connectors > M12 Field Installable Unshielded



Connector System: **Cable-to-Cable**

Connector Mounting Type: **Cable Mount (Free-Hanging)**

Number of Positions: **4**

Sealable: **Yes**

Connector & Contact Terminates To: **Wire & Cable**

[All M12 Field Installable Unshielded \(102\)](#)

Features

Product Type Features

Connector System	Cable-to-Cable
Sealable	Yes
Connector & Contact Terminates To	Wire & Cable
Circular Connector Type	Receptacle
Shell Type	Plastic
Assembly Requirement	Factory Assembled
Circular Connector Shell Type	All Plastic
Connector Product Type	Connector Assembly
Assembly Type	Electrical Connector

Mechanical Attachment

Connector Mounting Type	Cable Mount (Free-Hanging)
Polarization Code	D
Mating Alignment Type	Keyed



Mating Retention Type	Threaded Coupling
-----------------------	-------------------

Mating Alignment	With
------------------	------

Configuration Features

Number of Positions	4
---------------------	---

Number of Power Positions	0
---------------------------	---

Number of Signal Positions	4
----------------------------	---

Contacts Preloaded	Yes
--------------------	-----

Factory Installed Backshell	No
-----------------------------	----

Contact Features

Contact Current Rating (Max)	4 A
------------------------------	-----

Reverse Gender	Yes
----------------	-----

Circular Connector Contact Type	Socket
---------------------------------	--------

Operation/Application

Circuit Application	Signal
---------------------	--------

Shielded	No
----------	----

Durability Rating	100 Cycles
-------------------	------------

Body Features

Shell Plating Material	Unplated
------------------------	----------

Shell Base Material	Plastic
---------------------	---------

Circular Connector Insulation Material Type	Polyamide 66 GF25
---	-------------------

Hermetically Sealed	Yes
---------------------	-----

O-Ring Material	Silicone
-----------------	----------

Environmental Protection	IP67
--------------------------	------

Environmental Protection Type	Elastomer Sealed
-------------------------------	------------------

Primary Product Color	Black
-----------------------	-------

Peripheral Seal Material	Silicone
--------------------------	----------

Dimensions

Wire Size	.75 – .25 mm ²
-----------	---------------------------

Housing Features

Circular Connector Shell Size	20
-------------------------------	----

Usage Conditions

Operating Temperature Range	-40 – 85 °C[-40 – 185 °F]
-----------------------------	---------------------------



IP Dust Sealing Level	6
-----------------------	---

IP Water Sealing Level	IP67
------------------------	------

Other

EU RoHS Compliance	Compliant with Exemptions
--------------------	---------------------------

EU ELV Compliance	Compliant with Exemptions
-------------------	---------------------------

Field Serviceable	Yes
-------------------	-----

Electrical Characteristics

Operating Voltage	250 VDC
-------------------	---------

Industry Standards

UL Flammability Rating	UL 94HB
------------------------	---------

Packaging Features

Packaging Quantity	1
--------------------	---

Product Compliance

[For compliance documentation, visit the product page on TE.com>](#)

EU RoHS Directive 2011/65/EU	Compliant with Exemptions
------------------------------	---------------------------

EU ELV Directive 2000/53/EC	Compliant with Exemptions
-----------------------------	---------------------------

China RoHS 2 Directive MIIT Order No 32, 2016	Restricted Materials Above Threshold
---	--------------------------------------

EU REACH Regulation (EC) No. 1907/2006	Current ECHA Candidate List: JUNE 2024 (241) Candidate List Declared Against: JUNE 2024 (241) SVHC > Threshold: Pb (4% in Component Part)
--	--

Article Safe Usage Statements:

Do not eat, drink or smoke when using this product. Wash thoroughly after handling. Recycle if possible and dispose of the article by following all applicable governmental regulations relevant to your geographic location.

Halogen Content	Not Low Halogen - contains Br or Cl > 900 ppm.
-----------------	--

Solder Process Capability	Not applicable for solder process capability
---------------------------	--

Product Compliance Disclaimer

This information is provided based on reasonable inquiry of our suppliers and represents our current actual knowledge based on the information they provided. This information is subject to change. The part numbers that TE has identified as EU RoHS compliant have a maximum concentration of 0.1% by weight in homogenous materials for lead, hexavalent chromium, mercury, PBB, PBDE, DBP, BBP, DEHP, DIBP, and 0.01% for cadmium, or qualify for an exemption to these limits as defined in the Annexes of Directive 2011/65/EU (RoHS2). Finished electrical and electronic equipment products will be CE marked as required by Directive 2011/65/EU. Components may not be CE marked. Additionally, the part numbers that TE has identified as EU ELV compliant have a maximum concentration of 0.1% by weight in homogenous materials for lead, hexavalent chromium, and mercury, and 0.01% for cadmium, or qualify for an exemption to these limits as defined in the Annexes of Directive 2000/53/EC (ELV). Regarding the REACH Regulation, the information TE provides

on SVHC in articles for this part number is based on the latest European Chemicals Agency (ECHA) 'Guidance on requirements for substances in articles' posted at this URL: <https://echa.europa.eu/guidance-documents/guidance-on-reach>

Compatible Parts



TE Part # T4111501041-000
M12,MALE,STRAIGHT,D CODE,4P, PG7,GOLD



TE Part # CAT-C73765-M1F
M12 Panel Mount Wire



TE Part # CAT-C73765-M1G
M12 Panel Mount Solder Cups



TE Part # CAT-C73765-M1H
M12 Panel Mount PCB



TE Part # 3-2172086-2
M12,MALE,PNLREAR.DCODE.4P, PCBSTD.RA



TE Part # T4130512041-001
M12,REAR MOUNT,MALE,D,4P, SOLDER WIRE



TE Part # T4140512041-001
M12,REAR MOUNT,MALE,D,4P, SOLDER PCB



TE Part # T4171010504-801
M12,REAR MOUNT,MALE,D,4P,0.2M WIRE




TE Part # T4171010504-802
M12,REAR MOUNT,MALE,D,4P,0.5M WIRE

Also in the Series | M12 Connector




Connector Hardware(11)



Connector Seals & Cavity Plugs(4)

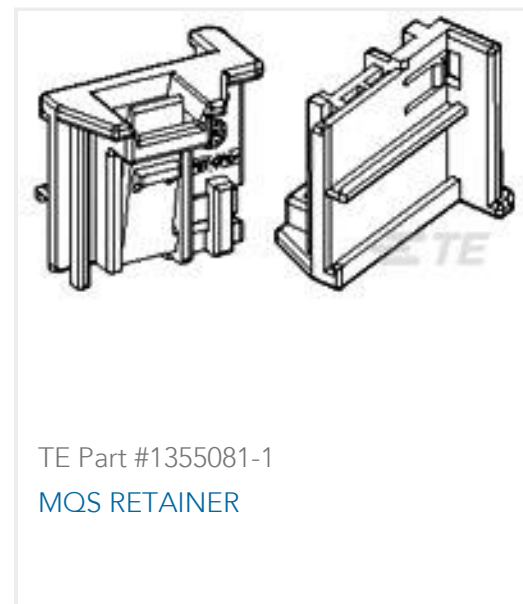


M8/M12 Cable Assemblies(230)



Standard Circular Connectors(793)

Customers Also Bought



Documents

Product Drawings

M12,FEMALE,STRAIGHT,D CODE,4P,PG7,GOLD

English

CAD Files

Customer View Model

[ENG_CVM_CVM_T4110501041-000_B.3d_igs.zip](#)

English

Customer View Model

[ENG_CVM_CVM_T4110501041-000_B.3d_stp.zip](#)

English

Customer View Model

[ENG_CVM_CVM_T4110501041-000_B.2d_dxf.zip](#)

English

3D PDF

3D

By downloading the CAD file I accept and agree to the [Terms and Conditions](#) of use.

Datasheets & Catalog Pages



M8 / M12 Connector System Catalog

English

Product Specifications

Application Specification

English

Agency Approvals

UL

English