



CT Hybrid Drawer

TE Internal #: 292185-8

Connector Assembly, Receptacle, Wire-to-Board, 12 Position, 2 mm [.079 in] Centerline, Crimp/IDC, 2 Row, Black, CT Hybrid Drawer

[View on TE.com >](#)

Connectors > PCB Connectors > Wire-to-Board Connectors > Wire-to-Board Connector Assemblies & Housings



Connector Product Type: **Connector Assembly**

Connector & Housing Type: **Receptacle**

Connector System: **Wire-to-Board**

Number of Positions: **12**

Centerline (Pitch): **2 mm [.079 in]**

Features

Product Type Features

Connector Product Type	Connector Assembly
Connector & Housing Type	Receptacle
Connector System	Wire-to-Board
Sealable	No
Connector & Contact Terminates To	Printed Circuit Board

Configuration Features

Number of Positions	12
Number of Rows	2
Number of Power Positions	4
Number of Signal Positions	8

Housing Features

Centerline (Pitch)	2 mm [.079 in]
Housing Material	Thermoplastic

Termination Features

Termination Method to Wire & Cable	Crimp/IDC
------------------------------------	-----------

Dimensions

Row-to-Row Spacing	8.05 mm [.317 in]
Connector Width	29.95 mm [1.18 in]



Connector Height	19 mm[.748 in]
Connector Length	55.98 mm[2.2 in]

Body Features

Primary Product Color	Black
Drawer Style	Miniature Power

Mechanical Attachment

Mating Retention	Without
Connector Mounting Type	Panel Mount
Panel Mount Feature Type	Mounting Ears
Panel Mount Feature	With
PCB Mount Retention Type	Mounting Ears
PCB Mount Alignment	With
PCB Mount Retention	With

Contact Features

Contact Current Rating (Max)	15 A
Contact Retention Within Housing	With
Contact Base Material	Copper Alloy

Operation/Application

Circuit Application	Power & Signal
---------------------	----------------

Usage Conditions

Operating Temperature Range	-30 – 105 °C[-22 – 221 °F]
-----------------------------	----------------------------

Other

EU RoHS Compliance	Compliant
EU ELV Compliance	Compliant

Electrical Characteristics

Operating Voltage	250 V
-------------------	-------

Industry Standards

UL Flammability Rating	UL 94V-0
------------------------	----------

Packaging Features

Packaging Method	Tray, Box & Tray
Packaging Quantity	40



Product Compliance

[For compliance documentation, visit the product page on TE.com>](#)

EU RoHS Directive 2011/65/EU	Compliant
EU ELV Directive 2000/53/EC	Compliant
China RoHS 2 Directive MIIT Order No 32, 2016	No Restricted Materials Above Threshold
EU REACH Regulation (EC) No. 1907/2006	Current ECHA Candidate List: JUNE 2024 (241) Candidate List Declared Against: JUNE 2024 (241) Does not contain REACH SVHC
Halogen Content	Not Low Halogen - contains Br or Cl > 900 ppm.
Solder Process Capability	Not applicable for solder process capability

Product Compliance Disclaimer

This information is provided based on reasonable inquiry of our suppliers and represents our current actual knowledge based on the information they provided. This information is subject to change. The part numbers that TE has identified as EU RoHS compliant have a maximum concentration of 0.1% by weight in homogenous materials for lead, hexavalent chromium, mercury, PBB, PBDE, DBP, BBP, DEHP, DIBP, and 0.01% for cadmium, or qualify for an exemption to these limits as defined in the Annexes of Directive 2011/65/EU (RoHS2). Finished electrical and electronic equipment products will be CE marked as required by Directive 2011/65/EU. Components may not be CE marked. Additionally, the part numbers that TE has identified as EU ELV compliant have a maximum concentration of 0.1% by weight in homogenous materials for lead, hexavalent chromium, and mercury, and 0.01% for cadmium, or qualify for an exemption to these limits as defined in the Annexes of Directive 2000/53/EC (ELV). Regarding the REACH Regulation, the information TE provides on SVHC in articles for this part number is based on the latest European Chemicals Agency (ECHA) 'Guidance on requirements for substances in articles' posted at this URL: <https://echa.europa.eu/guidance-documents/guidance-on-reach>

Compatible Parts



TE Part # CAT-AM7017-H8172
AMP COMMON TERMINATION HOUSINGS



TE Part # 292182-8
PLUG ASS'Y OF HYB DRAWER 12P



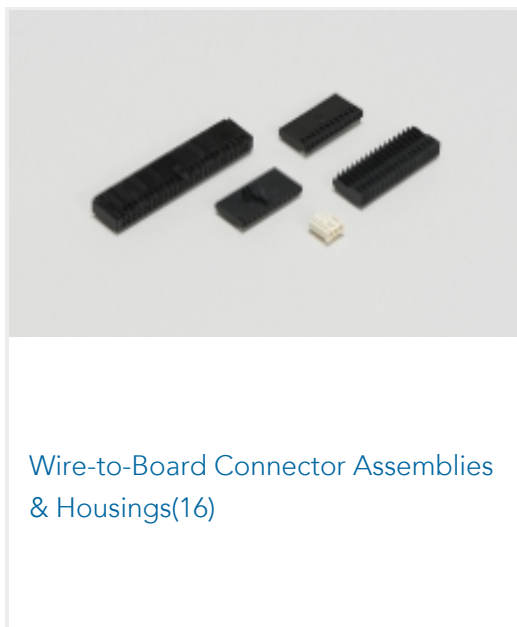
TE Part # 179316-4
HYBRID MINI DRAWER REC CONT.#1



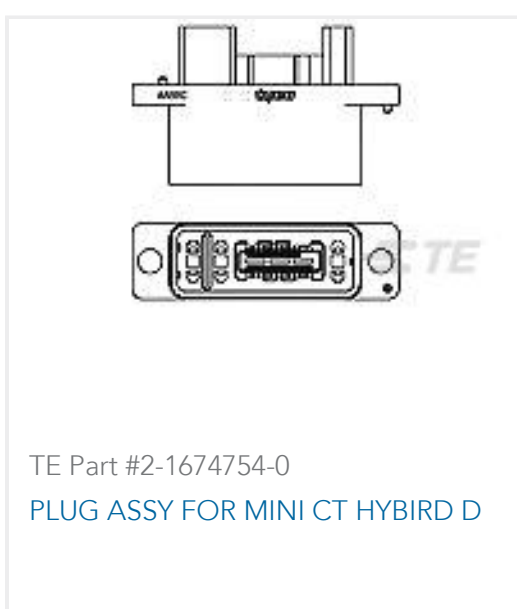
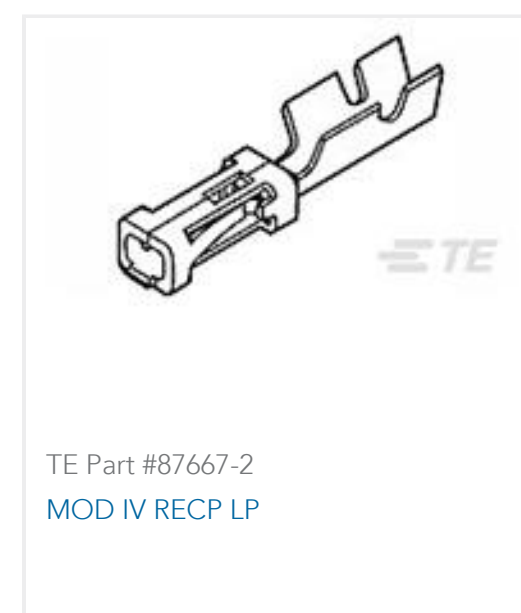
TE Part # 1-179316-2
HYBRID MINI DRAWER REC CONT.



Also in the Series | **CT Hybrid Drawer**



Customers Also Bought





Documents

Product Drawings

[REC ASS'Y OF HYB DRAWER 12P](#)

English

CAD Files

Customer View Model

[ENG_CVM_292185-8_B2.3d_igs.zip](#)

English

Customer View Model

[ENG_CVM_292185-8_B2.3d_stp.zip](#)

English

Customer View Model

[ENG_CVM_292185-8_B2.2d_dxf.zip](#)

English

[3D PDF](#)

English

By downloading the CAD file I accept and agree to the [Terms and Conditions](#) of use.

Datasheets & Catalog Pages

[POWER_CONNECTORS_CATALOG_SEC02_CABLE_MOUNTED](#)

English

[Low Power Drawer Connectors QRG](#)

English

Product Specifications

[Application Specification](#)

English

[Crimping Hybrid Mini Drawer Connector Power Line Contact](#)

English