

62781-1 ✓ ACTIVE

MAG-MATE

TE Internal #: 62781-1

Poke-In, Special, Lead Wire Size 22 – 18 AWG, Lead Wire Size .3 – .

9 mm², .02 – .06 mm Magnet Wire, MAG-MATE, Magnet Wire

Terminals

[View on TE.com >](#)



Terminals & Splices > Magnet Wire Terminals



Magnet Wire Terminal Type: **Poke-In**

Compatible With Cavity Size: **Special**

Lead Wire Size: **.3 – .9 mm²**

Magnet Wire Size: **52 – 42 AWG**

Features

Contact Features

Magnet Wire Terminal Type	Poke-In
Terminal Plating Material	Tin
Terminal Orientation	Twisted

Body Features

Compatible With Cavity Size	Special
-----------------------------	---------

Dimensions

Lead Wire Size	.3 – .9 mm ²
Magnet Wire Size	.02 – .06 mm
Stock Thickness (Magnet Wire Side)	.25 mm[.01 in]
Product Length	8.77 mm[.345 in]
Terminal Height	8.76 mm[.345 in]

Packaging Features

Packaging Method	Reel, Reel/Carton
Packaging Quantity	5000



Operation/Application

Compatible With Wire Base Material	Copper
------------------------------------	--------

Product Type Features

Compatible With Discrete Wire Type	Solid, Magnet Wire
------------------------------------	--------------------

Other

EU RoHS Compliance	Compliant
--------------------	-----------

EU ELV Compliance	Compliant
-------------------	-----------

Usage Conditions

Insulation Option	Uninsulated
-------------------	-------------

Identification Marking

Identification Number	4
-----------------------	---

Product Compliance

[For compliance documentation, visit the product page on TE.com>](#)

EU RoHS Directive 2011/65/EU	Compliant
------------------------------	-----------

EU ELV Directive 2000/53/EC	Compliant
-----------------------------	-----------

China RoHS 2 Directive MIIT Order No 32, 2016	No Restricted Materials Above Threshold
---	---

EU REACH Regulation (EC) No. 1907/2006	Current ECHA Candidate List: JUNE 2024 (241) Candidate List Declared Against: JUNE 2024 (241) Does not contain REACH SVHC
--	---

Halogen Content	Low Halogen - Br, Cl, F, I < 900 ppm per homogenous material. Also BFR/CFR/PVC Free
-----------------	---

Solder Process Capability	Not applicable for solder process capability
---------------------------	--

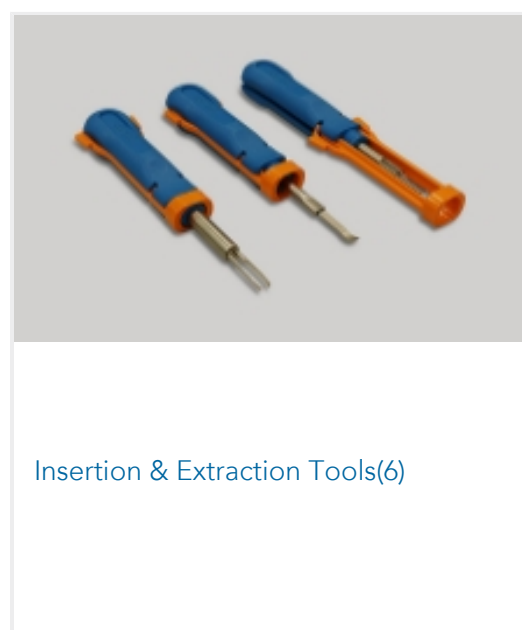
Product Compliance Disclaimer

This information is provided based on reasonable inquiry of our suppliers and represents our current actual knowledge based on the information they provided. This information is subject to change. The part numbers that TE has identified as EU RoHS compliant have a maximum concentration of 0.1% by weight in homogenous materials for lead, hexavalent chromium, mercury, PBB, PBDE, DBP, BBP, DEHP, DIBP, and 0.01% for cadmium, or qualify for an exemption to these limits as defined in the Annexes of Directive 2011/65/EU (RoHS2). Finished electrical and electronic equipment products will be CE marked as required by Directive 2011/65/EU. Components may not be CE marked. Additionally, the part numbers that TE has identified as EU ELV compliant have a maximum concentration of 0.1% by weight in homogenous materials for lead, hexavalent chromium, and mercury, and 0.01% for cadmium, or qualify for an exemption to these limits as defined in the Annexes of Directive 2000/53/EC (ELV). Regarding the REACH Regulation, the information TE provides on SVHC in articles for this part number is based on the latest European Chemicals Agency (ECHA) 'Guidance on requirements for substances in articles' posted at this URL: <https://echa.europa.eu/guidance-documents/guidance-on-reach>

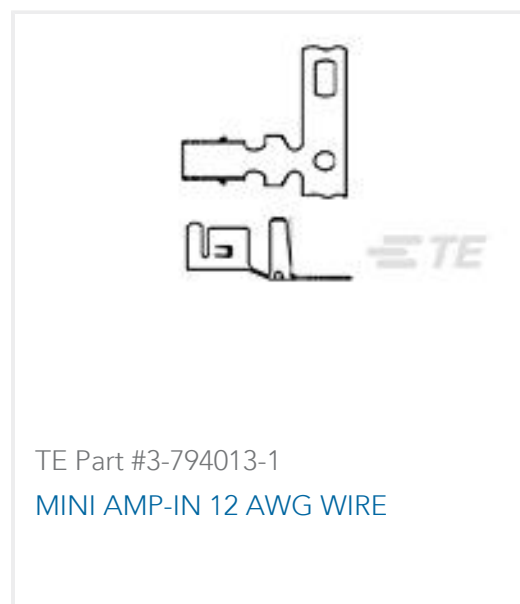
Compatible Parts



Also in the Series | MAG-MATE

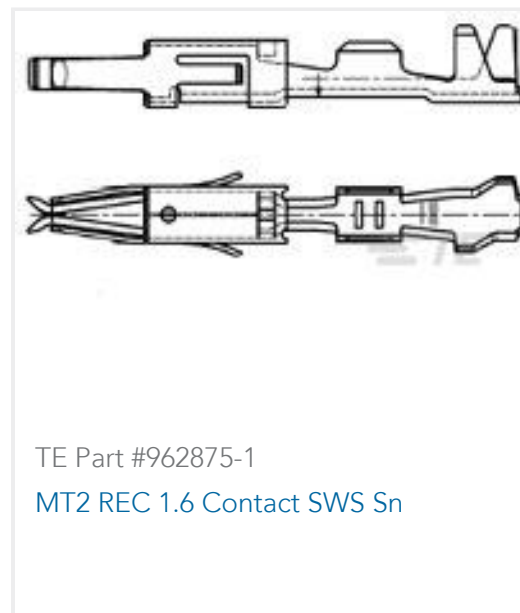


Customers Also Bought





TE Part #160173-2
FF 110 REC 22-20AWG TPBR



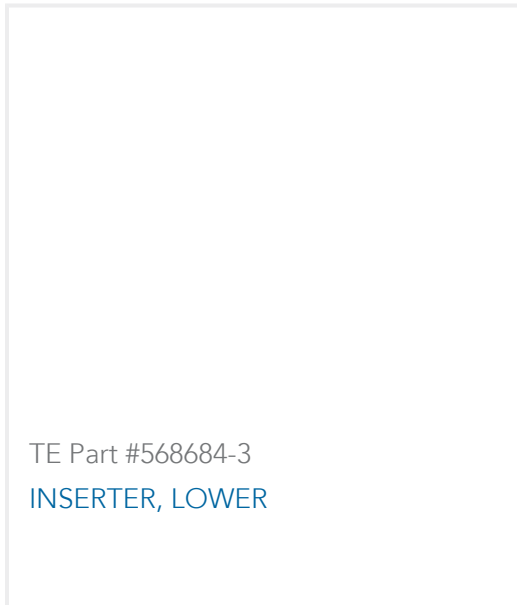
TE Part #962875-1
MT2 REC 1.6 Contact SWS Sn



TE Part #456408-6
CRIMPER, WIRE .110 F



TE Part #60601-1
110 FASTON REC 20-18 AWG TPBR



TE Part #568684-3
INSERTER, LOWER



TE Part #7-659667-3
BLADE TRIM, SINGLE

Documents

Product Drawings

MINI MAG-MATE 42-52 010 TPBR

English

CAD Files

3D PDF

3D

Customer View Model

[ENG_CVM_CVM_62781-1_BB.2d_dxf.zip](#)

English

Customer View Model

[ENG_CVM_CVM_62781-1_BB.3d_igs.zip](#)

English

Customer View Model

[ENG_CVM_CVM_62781-1_BB.3d_stp.zip](#)

English

By downloading the CAD file I accept and agree to the [Terms and Conditions](#) of use.

Datasheets & Catalog Pages

Magnet Wire Terminals & Splices

English

Product Specifications

Application Specification

English

Agency Approvals

UL Report

62781-1

Poke-In, Special, Lead Wire Size 22 – 18 AWG, Lead Wire Size .3 – .9 mm², .02 – .06 mm Magnet Wire, MAG-MATE, Magnet Wire Terminals



English