

173724-1 ✓ ACTIVE



Positive Lock | Positive Lock 187

TE Internal #: 173724-1

Receptacle, 20 – 14 AWG Wire Size, .51 – 2.08 mm<sup>2</sup> Wire Size,  
Mating Tab Width 4.75 mm [.187 in], Straight, Brass, Positive Lock  
187, Quick Disconnects

[View on TE.com >](#)

Terminals & Splices > Quick Disconnects



Quick Disconnect Terminal Type: **Receptacle**

Wire Size: **.51 – 2.08 mm<sup>2</sup>**

Mating Tab Width: **4.75 mm [.187 in]**

Mating Tab Thickness: **.51 mm [.02 in]**

### Features

#### Contact Features

Quick Disconnect Terminal Type	Receptacle
Mating Tab Width	4.75 mm [.187 in]
Mating Tab Thickness	.51 mm [.02 in]
Terminal Orientation	Straight
Contact Base Material	Brass
Terminal Plating Material	Pre-Tin
Crimp Type	F-Crimp
Barrel Type	Open

#### Dimensions

Wire Size	.51 – 2.08 mm <sup>2</sup>
Product Length	17.2 mm [.677 in]
Compatible Insulation Diameter Range	1.9 – 4.4 mm [.074 – .173 in]
Terminal Material Thickness	.3 mm [.012 in]

#### Packaging Features

Packaging Method	Strip/Reel
------------------	------------



Packaging Quantity	6000
--------------------	------

### Product Type Features

Insertion Force	Low
-----------------	-----

### Usage Conditions

Insulation Option	Uninsulated
-------------------	-------------

Operating Temperature Range	-40 – 110 °C[-40 – 230 °F]
-----------------------------	----------------------------

### Other

EU RoHS Compliance	Compliant
--------------------	-----------

EU ELV Compliance	Compliant
-------------------	-----------

### Configuration Features

Compatible With Wire & Cable Type	Discrete Wire
-----------------------------------	---------------

Connection Capacity	Single
---------------------	--------

### Electrical Characteristics

Voltage Rating	250 V
----------------	-------

### Termination Features

Product Terminates To	Wire & Cable
-----------------------	--------------

### Mechanical Attachment

Wire Insulation Support	With
-------------------------	------

## Product Compliance

[For compliance documentation, visit the product page on TE.com>](#)

EU RoHS Directive 2011/65/EU	Compliant
------------------------------	-----------

EU ELV Directive 2000/53/EC	Compliant
-----------------------------	-----------

China RoHS 2 Directive MIIT Order No 32, 2016	No Restricted Materials Above Threshold
---	---

EU REACH Regulation (EC) No. 1907/2006	Current ECHA Candidate List: JUNE 2024 (241) Candidate List Declared Against: JUNE 2024 (241) Does not contain REACH SVHC
--	---

Halogen Content	Low Halogen - Br, Cl, F, I < 900 ppm per homogenous material. Also BFR/CFR/PVC Free
-----------------	---

Solder Process Capability	Not applicable for solder process capability
---------------------------	--

Product Compliance Disclaimer

This information is provided based on reasonable inquiry of our suppliers and represents our current actual knowledge based on the information they provided. This information is subject to change. The part numbers that TE has identified as EU RoHS compliant have a maximum concentration of 0.1% by weight in homogenous materials for lead, hexavalent chromium, mercury, PBB, PBDE, DBP, BBP, DEHP, DIBP, and 0.01% for cadmium, or qualify for an exemption to these limits as defined in the Annexes of Directive 2011/65/EU (RoHS2). Finished electrical and electronic equipment products will be CE marked as required by Directive 2011/65/EU. Components may not be CE marked. Additionally, the part numbers that TE has identified as EU ELV compliant have a maximum concentration of 0.1% by weight in homogenous materials for lead, hexavalent chromium, and mercury, and 0.01% for cadmium, or qualify for an exemption to these limits as defined in the Annexes of Directive 2000/53/EC (ELV). Regarding the REACH Regulation, the information TE provides on SVHC in articles for this part number is based on the latest European Chemicals Agency (ECHA) 'Guidance on requirements for substances in articles' posted at this URL: <https://echa.europa.eu/guidance-documents/guidance-on-reach>

## Compatible Parts



TE Part # 2232342-1  
187 PL EX FLAG REC. 22-16AWG PTBR



TE Part # 1-172075-1  
3 POS PL 187(4.8 MM) HOUSING NATURAL



TE Part # 2013799-1  
250 HSG. PL EX REC. BLACK



TE Part # 1743058-1  
PL 187 REC 22-16 AWG 0.3 X 22.8 PTBR



TE Part # 1743221-1  
250 PL EX FLAG REC. 18-12AWG PTBR



TE Part # 2150058-1  
OCEAN\_2.0\_Applicator-E-110F200F-REM

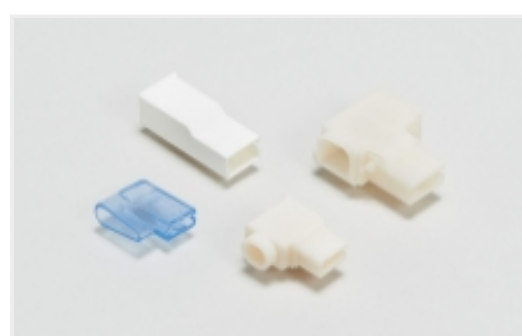


TE Part # 2150058-2  
OCEAN\_2.0\_Applicator-E-110F200F-REA



TE Part # 7-2150058-7  
OCEAN\_2.0\_SPARE\_PART\_KIT-110F200F

## Also in the Series | Positive Lock 187



Crimp Terminal Housings(86)



Insertion & Extraction Tools(2)



Insulation Boots & Sleeves(7)

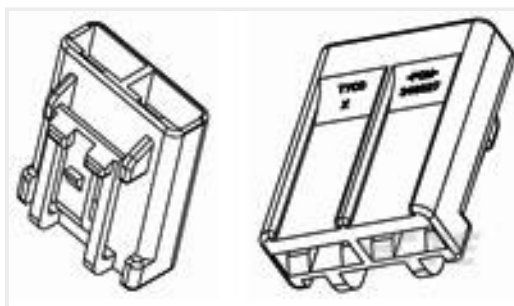


Quick Disconnects(57)

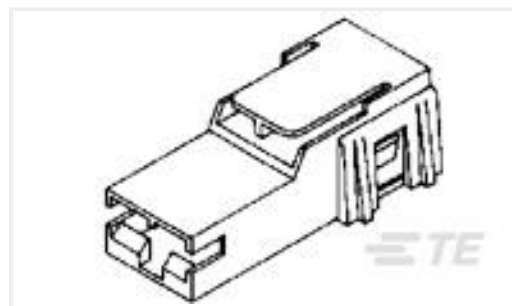
## Customers Also Bought



TE Part #63598-1  
MAG-MATE 250 F-TAB TPBR



TE Part #346027-1  
FASTIN FASTON HOUSING  
RECEPTACLE



TE Part #520961-1  
PL 250 HOUSING BLACK NYLON



TE Part #6-160448-2  
FF 250 REC 1.0-2.5MM2 TPPB



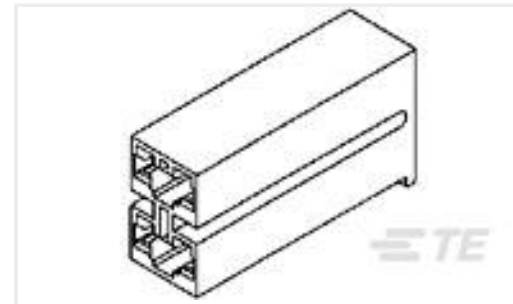
TE Part #174777-1  
PL 110 REC 20-16 AWG 0.25 X 10.4  
PTBR



TE Part #63665-1  
MAG-MATE 187 FAST TAB 020TPBR



TE Part #175020-1  
250 PL EX REC. 22-18AWG PTBR



TE Part #1-172210-1  
187 HSG. PL MKII REC. 6mm 2P NAT



TE Part #63606-4  
187 FASTON REC 18-14 AWG TPBR

## Documents

### Product Drawings

[187 PL EX REC. 20-14AWG PTBR](#)

English

### CAD Files

[3D PDF](#)

3D

Customer View Model

[ENG\\_CVM\\_CVM\\_173724-1\\_W.2d\\_dxf.zip](#)

English

Customer View Model

[ENG\\_CVM\\_CVM\\_173724-1\\_W.3d\\_igs.zip](#)

English

Customer View Model

[ENG\\_CVM\\_CVM\\_173724-1\\_W.3d\\_stp.zip](#)

English

By downloading the CAD file I accept and agree to the [Terms and Conditions](#) of use.

### Product Specifications



### Application Specification

English

---

### Instruction Sheets

Instruction Sheet (non U.S.)

English

**POSITIVE LOCK EX CONTACT**

English

---

### Agency Approvals

UL Report

English

UL Report

English