



**Buchanan WireMate**

TE Internal #: 2008563-1

Wire-to-Board, 1 Position, Wire & Cable, Height 3.9 mm [.154 in],  
Surface Mount, 18 – 22 AWG Wire Size, Power & Signal, Poke-In  
Connectors

[View on TE.com >](#)

Connectors > Lighting Connectors > Poke-In Connectors



Connector System: **Wire-to-Board**

Number of Positions: **1**

Connector & Contact Terminates To: **Wire & Cable**

Connector Height: **3.9 mm [.154 in]**

Termination Method to PCB: **Surface Mount**

**Features**

**Product Type Features**

Connector System	Wire-to-Board
Connector & Contact Terminates To	Wire & Cable
Product Line	Poke-In

**Configuration Features**

Number of Positions	1
---------------------	---

**Dimensions**

Connector Height	3.9 mm [.154 in]
Wire Size	18 – 22 AWG
Compatible Insulation Diameter Range	2.1 mm [.083 in]

**Termination Features**

Termination Method to PCB	Surface Mount
---------------------------	---------------

**Contact Features**

Contact Current Rating (Max)	4 A
------------------------------	-----



PCB Contact Termination Area Plating Material Thickness	3 μm[118.11 μin]
---	------------------

Contact Layout	Inline
----------------	--------

Contact Underplating Material	Nickel
-------------------------------	--------

Contact Mating Area Plating Material	Tin
--------------------------------------	-----

PCB Contact Termination Area Plating Material	Tin
---	-----

PCB Contact Termination Area Plating Material Finish	Matte
--	-------

Contact Fabrication	Stamped & Formed
---------------------	------------------

Contact Mating Area Plating Material Finish	Matte
---	-------

Contact Mating Area Plating Material Thickness	3 μm[118 μin]
--	---------------

### Operation/Application

Circuit Application	Power & Signal
---------------------	----------------

### Usage Conditions

Operating Temperature Range	-40 – 105 °C[-40 – 221 °F]
-----------------------------	----------------------------

### Other

EU RoHS Compliance	Compliant
--------------------	-----------

EU ELV Compliance	Compliant
-------------------	-----------

### Electrical Characteristics

Operating Voltage	250 VDC
-------------------	---------

### Body Features

Primary Product Color	White
-----------------------	-------

Header Mating Direction	Horizontal
-------------------------	------------

### Mechanical Attachment

Connector Mounting Type	Board Mount
-------------------------	-------------

PCB Mount Retention	With
---------------------	------

### Industry Standards

Compatible With Agency/Standards Products	UL, CSA
---	---------

UL Flammability Rating	UL 94V-0
------------------------	----------

Compatible With Approved Standards Products	UL E28476, UL 1977, CSA/C22.2 No. 182.3-M1987
---	---

### Packaging Features

Packaging Method	SMT Pocket Tape
------------------	-----------------



## Product Compliance

[For compliance documentation, visit the product page on TE.com>](#)

EU RoHS Directive 2011/65/EU	Compliant
EU ELV Directive 2000/53/EC	Compliant
China RoHS 2 Directive MIIT Order No 32, 2016	No Restricted Materials Above Threshold
EU REACH Regulation (EC) No. 1907/2006	Current ECHA Candidate List: JUNE 2024 (241) Candidate List Declared Against: JUNE 2024 (241) Does not contain REACH SVHC
Halogen Content	Low Halogen - Br, Cl, F, I < 900 ppm per homogenous material. Also BFR/CFR/PVC Free
Solder Process Capability	Reflow solder capable to 260°C

### Product Compliance Disclaimer

This information is provided based on reasonable inquiry of our suppliers and represents our current actual knowledge based on the information they provided. This information is subject to change. The part numbers that TE has identified as EU RoHS compliant have a maximum concentration of 0.1% by weight in homogenous materials for lead, hexavalent chromium, mercury, PBB, PBDE, DBP, BBP, DEHP, DIBP, and 0.01% for cadmium, or qualify for an exemption to these limits as defined in the Annexes of Directive 2011/65/EU (RoHS2). Finished electrical and electronic equipment products will be CE marked as required by Directive 2011/65/EU. Components may not be CE marked. Additionally, the part numbers that TE has identified as EU ELV compliant have a maximum concentration of 0.1% by weight in homogenous materials for lead, hexavalent chromium, and mercury, and 0.01% for cadmium, or qualify for an exemption to these limits as defined in the Annexes of Directive 2000/53/EC (ELV). Regarding the REACH Regulation, the information TE provides on SVHC in articles for this part number is based on the latest European Chemicals Agency (ECHA) 'Guidance on requirements for substances in articles' posted at this URL: <https://echa.europa.eu/guidance-documents/guidance-on-reach>

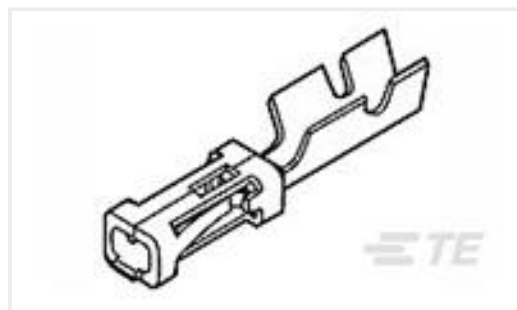
## Compatible Parts



## Customers Also Bought



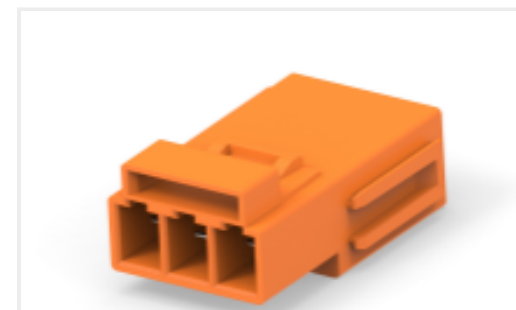
TE Part #8-1609095-8  
HFB3=F8360



TE Part #1-87309-3  
MOD V RECP LP



TE Part #7-215460-6  
MICRO-MATCH FSID P



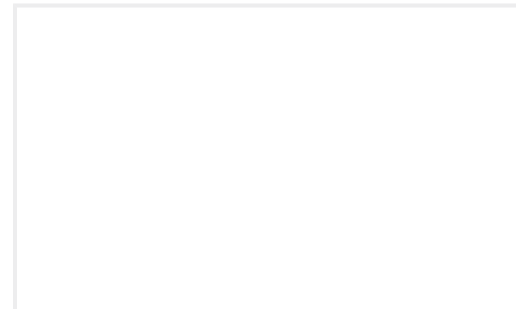
TE Part #1-2834055-3  
REC MOD, 3P LATCHED POKE-IN  
WTW CONN,OE



TE Part #3-2834006-1  
1P MODULAR RELEASABLE POKE-IN  
CONN\_RED



TE Part #2388553-4  
PUSH-IN CONNECTOR, 4 POS



TE Part #2-2834025-4  
2POS 5.0MM DES CONN\_RD/BK

## Documents

### Product Drawings

[Connector, 1 Pos SMT Poke-In](#)

English

### CAD Files

Customer View Model

[ENG\\_CVM\\_CVM\\_2008563-1\\_A.2d\\_dxf.zip](#)

English

[3D PDF](#)

3D

Customer View Model

[ENG\\_CVM\\_CVM\\_2008563-1\\_A.3d\\_igs.zip](#)

English

Customer View Model

[ENG\\_CVM\\_CVM\\_2008563-1\\_A.3d\\_stp.zip](#)

English

By downloading the CAD file I accept and agree to the [Terms and Conditions](#) of use.

### Datasheets & Catalog Pages

[SMT\\_AND\\_THRU-HOLE\\_POKE-IN\\_WIRE\\_LIGHTING\\_CONNECTORS](#)

English

### Product Specifications

[Application Specification](#)

English

### Agency Approvals

[UL Report](#)



English