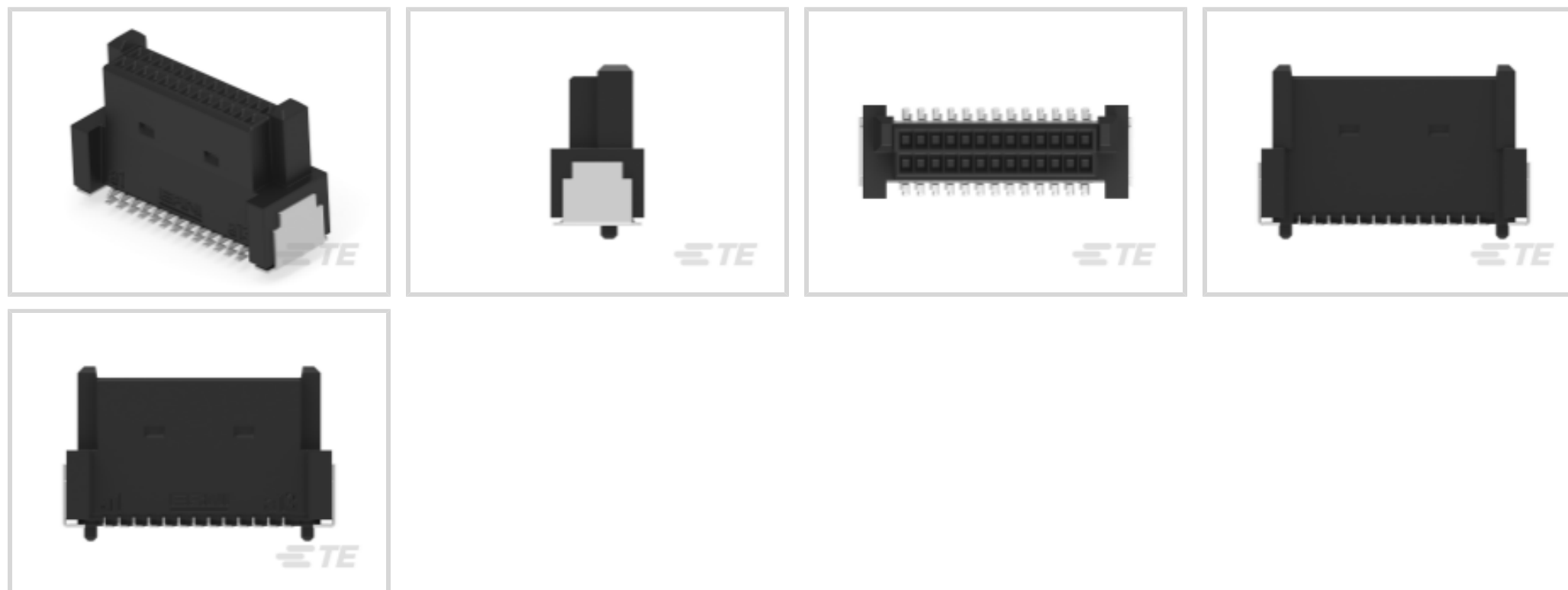




Connectors > PCB Connectors > PCB Headers & Receptacles



EU RoHS Compliance: **Compliant**

PCB Connector Assembly Type: **PCB Mount Receptacle**

PCB Mount Orientation: **Vertical**

Connector System: **Board-to-Board**

Number of Positions: **26**

Features

Other

EU RoHS Compliance	Compliant
--------------------	-----------

Product Type Features

PCB Connector Assembly Type	PCB Mount Receptacle
Connector System	Board-to-Board
Header Type	Fully Shrouded
Sealable	No
Connector & Contact Terminates To	Printed Circuit Board

Configuration Features

Number of Columns	13
Number of Loaded Positions	26
Stacking Configuration	Stack Through
Connector Contact Load Condition	Fully Loaded
Board-to-Board Configuration	Orthogonal, Parallel
Stackable	Yes



PCB Mount Orientation	Vertical
Number of Positions	26
Number of Rows	2

Electrical Characteristics

Insulation Resistance	100 MΩ
Dielectric Withstanding Voltage (Max)	500 Vrms

Body Features

Primary Product Color	Black
-----------------------	-------

Contact Features

PCB Contact Termination Area Plating Material Thickness	4 – 6 μm[157.48 – 236.22 μin]
Contact Shape & Form	Dual Beam
Contact Layout	Matrix
Contact Base Material	Copper Alloy
PCB Contact Termination Area Plating Material	Tin
Contact Mating Area Plating Material	Gold (Au)
Contact Type	Receptacle
Contact Current Rating (Max)	2.82 A

Termination Features

Termination Method to PCB	Surface Mount
---------------------------	---------------

Mechanical Attachment

Mounting Alignment Feature Length	.7 mm[.027 in]
Mating Alignment Type	Blindmate
PCB Mount Alignment Type	Locating Posts
PCB Mount Retention	Without
PCB Mount Alignment	With
Connector Mounting Type	Board Mount
Mating Alignment	With

Housing Features

Mating Entry Location	Top
Housing Material	LCP
Centerline (Pitch)	.8 mm[.031 in]

Dimensions



Row-to-Row Spacing	1.25 mm[.049 in]
Stack Height	8 mm
Connector Width	4.7 mm[.185 in]
Connector Height	8.6 mm[.338 in]
Connector Length	14.6 mm[.575 in]

Usage Conditions

Operating Temperature (Max)	125 °C[257 °F]
Operating Temperature Range	-55 – 125 °C[-67 – 257 °F]

Operation/Application

Circuit Application	Power & Signal
---------------------	----------------

Industry Standards

Compatible With Agency/Standards Products	DIN, UL
UL Flammability Rating	UL 94V-0

Packaging Features

Packaging Reel Diameter	330 mm[12.99 in]
Packaging Quantity	420
Packaging Method	Tape & Reel

Product Compliance

[For compliance documentation, visit the product page on TE.com>](#)

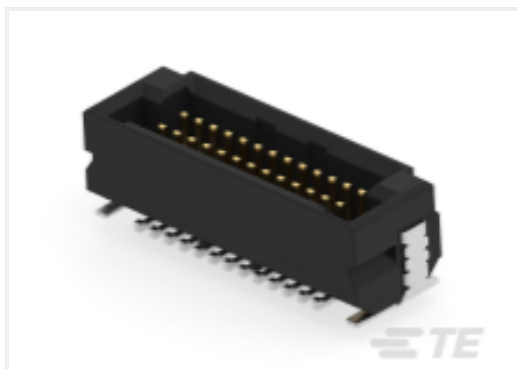
EU RoHS Directive 2011/65/EU	Compliant
EU ELV Directive 2000/53/EC	Not Yet Reviewed
China RoHS 2 Directive MIIT Order No 32, 2016	No Restricted Materials Above Threshold
EU REACH Regulation (EC) No. 1907/2006	Current ECHA Candidate List: JUNE 2024 (241) Candidate List Declared Against: JUNE 2023 (235) Does not contain REACH SVHC
Halogen Content	Not Yet Reviewed for halogen content
Solder Process Capability	Not reviewed for solder process capability

Product Compliance Disclaimer

This information is provided based on reasonable inquiry of our suppliers and represents our current actual knowledge based on the information they provided. This information is subject to change. The part numbers that TE has identified as EU RoHS compliant have a maximum concentration of 0.1% by weight in homogenous materials for lead, hexavalent chromium, mercury, PBB, PBDE, DBP, BBP, DEHP, DIBP, and 0.01% for cadmium, or qualify for an exemption to these

limits as defined in the Annexes of Directive 2011/65/EU (RoHS2). Finished electrical and electronic equipment products will be CE marked as required by Directive 2011/65/EU. Components may not be CE marked. Additionally, the part numbers that TE has identified as EU ELV compliant have a maximum concentration of 0.1% by weight in homogenous materials for lead, hexavalent chromium, and mercury, and 0.01% for cadmium, or qualify for an exemption to these limits as defined in the Annexes of Directive 2000/53/EC (ELV). Regarding the REACH Regulation, the information TE provides on SVHC in articles for this part number is based on the latest European Chemicals Agency (ECHA) 'Guidance on requirements for substances in articles' posted at this URL: <https://echa.europa.eu/guidance-documents/guidance-on-reach>

Compatible Parts



TE Part # 294136-E
DRCQ 0,80 26 M 2 SMD M1 137 E009
176 GU-

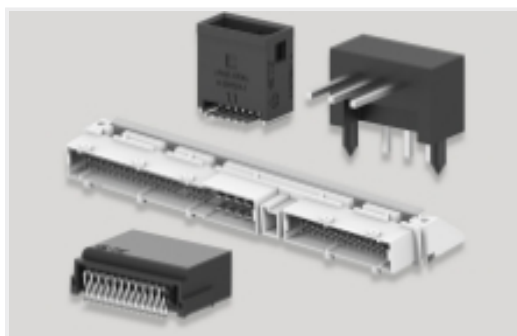


TE Part # 294148-E
DRCQ 0,80 26 M 2 SMD M2 137 E009
176 GU-



TE Part # 294285-E
DRCB 0,80 26 M SMD * 137 E009 196
GURT *

Also in the Series | ERNI MicroCon



PCB Headers & Receptacles(44)

Customers Also Bought



TE Part #DT04-2P
REC, 2P, GRY, N



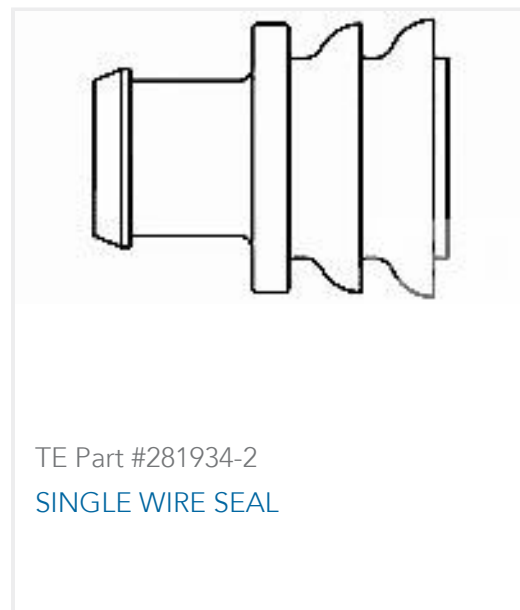
TE Part #W2S
Wedgelocks: DEUTSCH DT



TE Part #0460-202-16141
DEUTSCH Solid Contacts



TE Part #282104-1
AMP SUPERSEAL 1.5MM,
CONNECTOR HOUSING



Documents

Product Drawings

[DRCB 0,80 26 F SMD F8 137 E009 094 GU-H](#)

English

CAD Files

Customer View Model

[ENG_CVM_CVM_294027-E_1.3d_igs.zip](#)

English

[3D PDF](#)

3D

Customer View Model

[ENG_CVM_CVM_294027-E_1.2d_dxf.zip](#)

English

Customer View Model

[ENG_CVM_CVM_294027-E_1.3d_stp.zip](#)

English

By downloading the CAD file I accept and agree to the [Terms and Conditions](#) of use.

Datasheets & Catalog Pages

[ERNI MicroCon Connector](#)

English

[ERNI MicroCon 0.8 mm Connectors](#)

German

[ERNI MicroCon 0.8 mm Connectors](#)

English