

2-520403-2 ✓ ACTIVE

Ultra-Fast | Ultra-Fast 187

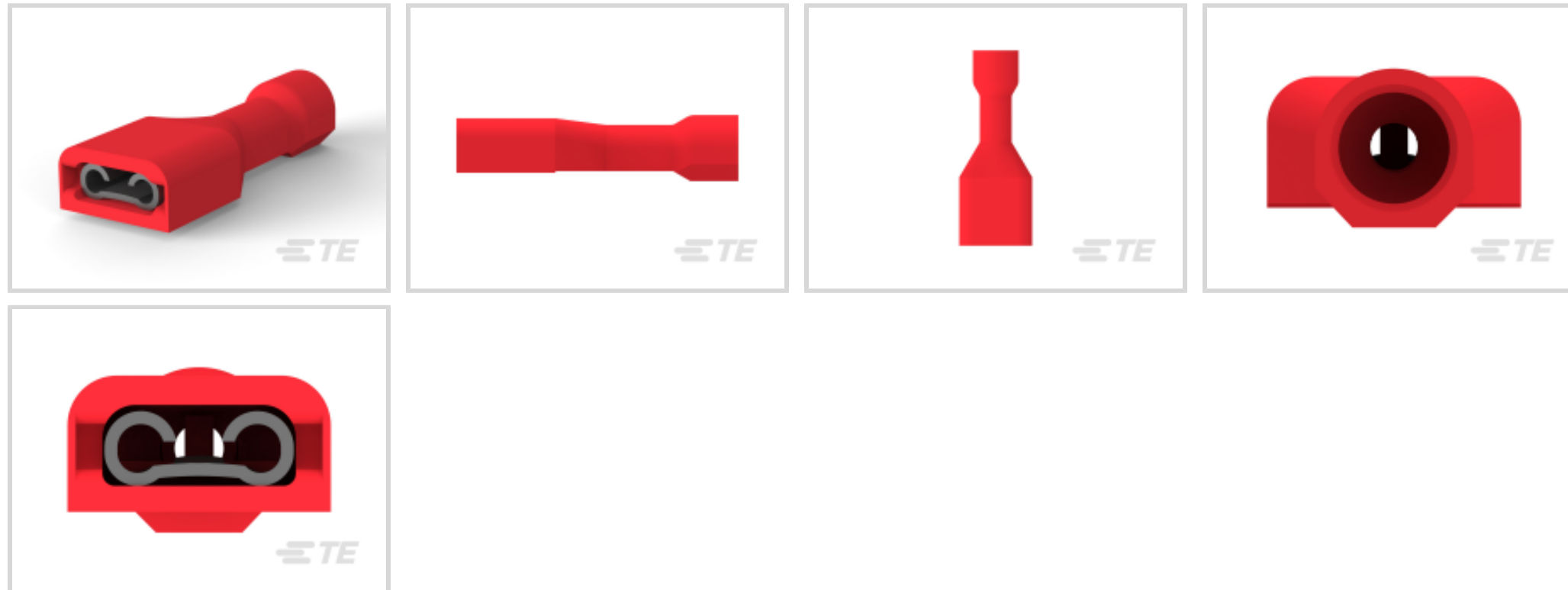
TE Internal #: 2-520403-2

Receptacle, 22 – 18 AWG Wire Size, .32 – .82 mm² Wire Size,
Mating Tab Width 4.75 mm [.187 in], Straight, Brass, Ultra-Fast 187,
Quick Disconnects

[View on TE.com >](#)



Terminals & Splices > Quick Disconnects



Quick Disconnect Terminal Type: **Receptacle**

Wire Size: .32 – .82 mm²

Mating Tab Width: 4.75 mm [.187 in]

Mating Tab Thickness: .81 mm [.032 in]

Features

Contact Features

| | |
|--------------------------------|-------------------|
| Quick Disconnect Terminal Type | Receptacle |
| Mating Tab Width | 4.75 mm [.187 in] |
| Mating Tab Thickness | .81 mm [.032 in] |
| Terminal Orientation | Straight |
| Contact Base Material | Brass |
| Terminal Plating Material | Tin |
| Crimp Type | F-Crimp |
| Barrel Type | Closed |

Dimensions

| | |
|--------------------------------------|--------------------------------|
| Wire Size | .32 – .82 mm ² |
| Product Length | 21.75 mm [.855 in] |
| Compatible Insulation Diameter Range | 1.52 – 3.43 mm [.06 – .135 in] |
| Terminal Material Thickness | .41 mm [.016 in] |

Packaging Features

| | |
|------------------|------------|
| Packaging Method | Strip/Reel |
|------------------|------------|



| | |
|--------------------|------|
| Packaging Quantity | 2700 |
|--------------------|------|

Product Type Features

| | |
|-------------------|-----------|
| Insertion Force | Normal |
| Terminal Features | Wire Stop |

Usage Conditions

| | |
|-----------------------------|----------------------------|
| Insulation Option | Fully Insulated |
| Operating Temperature Range | -40 – 110 °C[-40 – 230 °F] |

Other

| | |
|--------------------|-----------|
| EU RoHS Compliance | Compliant |
| EU ELV Compliance | Compliant |
| Barrel Color | Red |

Configuration Features

| | |
|-----------------------------------|---------------|
| Compatible With Wire & Cable Type | Discrete Wire |
| Connection Capacity | Single |

Electrical Characteristics

| | |
|----------------|-------|
| Voltage Rating | 600 V |
|----------------|-------|

Body Features

| | |
|---------------------|-------|
| Insulation Material | Nylon |
|---------------------|-------|

Termination Features

| | |
|-----------------------|--------------|
| Product Terminates To | Wire & Cable |
|-----------------------|--------------|

Mechanical Attachment

| | |
|-------------------------|--------|
| Wire Insulation Support | With |
| Mating Retention Type | Dimple |

Industry Standards

| | |
|---|----------|
| Compatible With Agency/Standards Products | UL |
| UL Flammability Rating | UL 94V-2 |

Product Compliance

[For compliance documentation, visit the product page on TE.com>](#)

| | |
|------------------------------|-----------|
| EU RoHS Directive 2011/65/EU | Compliant |
| EU ELV Directive 2000/53/EC | Compliant |



| | |
|---|---|
| China RoHS 2 Directive MIIT Order No 32, 2016 | No Restricted Materials Above Threshold |
| EU REACH Regulation (EC) No. 1907/2006 | Current ECHA Candidate List: JUNE 2024 (241) Candidate List Declared Against: JUNE 2024 (241) Does not contain REACH SVHC |
| Halogen Content | Low Halogen - Br, Cl, F, I < 900 ppm per homogenous material. Also BFR/CFR/PVC Free |
| Solder Process Capability | Not applicable for solder process capability |

Product Compliance Disclaimer

This information is provided based on reasonable inquiry of our suppliers and represents our current actual knowledge based on the information they provided. This information is subject to change. The part numbers that TE has identified as EU RoHS compliant have a maximum concentration of 0.1% by weight in homogenous materials for lead, hexavalent chromium, mercury, PBB, PBDE, DBP, BBP, DEHP, DIBP, and 0.01% for cadmium, or qualify for an exemption to these limits as defined in the Annexes of Directive 2011/65/EU (RoHS2). Finished electrical and electronic equipment products will be CE marked as required by Directive 2011/65/EU. Components may not be CE marked. Additionally, the part numbers that TE has identified as EU ELV compliant have a maximum concentration of 0.1% by weight in homogenous materials for lead, hexavalent chromium, and mercury, and 0.01% for cadmium, or qualify for an exemption to these limits as defined in the Annexes of Directive 2000/53/EC (ELV). Regarding the REACH Regulation, the information TE provides on SVHC in articles for this part number is based on the latest European Chemicals Agency (ECHA) 'Guidance on requirements for substances in articles' posted at this URL: <https://echa.europa.eu/guidance-documents/guidance-on-reach>

Compatible Parts



TE Part # 2266077-2
OCEAN_2.0_APPLICATOR-S-176F218F-SSA




KIT
REPRESENTATION ONLY

TE Part # 7-2266077-7
OCEAN_2.0_SPARE_PART_KIT-176F218F



TE Part # 58079-3
DIES U-FAST + FASTON 22-18 DIE SET

Also in the Series | Ultra-Fast 187

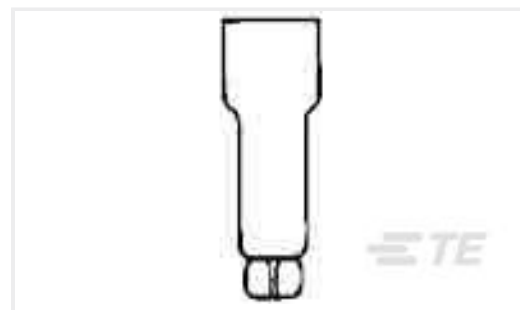


Quick Disconnects(47)

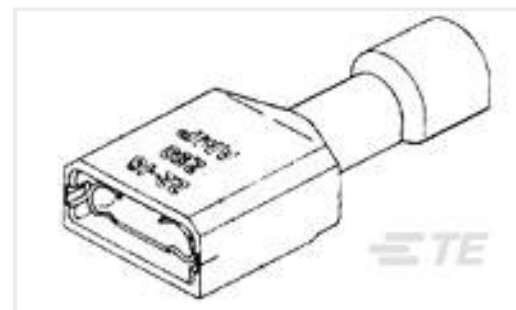
Customers Also Bought



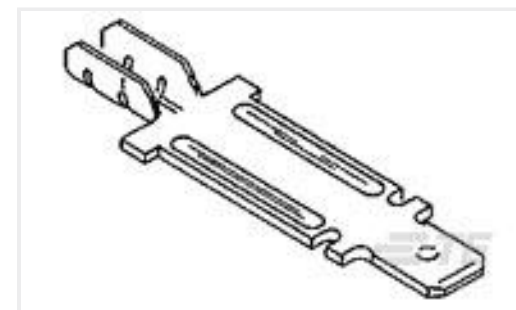
TE Part #2-34160-1
TERMINAL, PG R 16-14 8, TAPE



TE Part #36965
SPLICE, CE 22-10



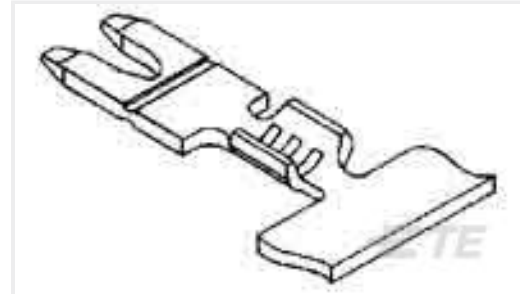
TE Part #3-520124-2
187 ULTRA-FAST ASY REC 16-14 AWG
TPBR



TE Part #63301-1
250 FASTON TAB 22-15 AWG NPST
TPBR



TE Part #63459-2
MAG-MATE 250 F-TAB 15-16 TPBR



TE Part #63775-1
TAB, MAG-MATE POKE-IN TPBR



TE Part #NB15402001
CRN-3/8-0-STK



TE Part #HSA425N00420100000
723 HTEC PLUG, SPEEDTEC



TE Part #904139-1
INDENTER, TETRA CRIMP

Documents

Product Drawings

[ULTRA-FAST 187 ASY REC 22-18 TPBR](#)

English

CAD Files

[3D PDF](#)

3D

Customer View Model

[ENG_CVM_CVM_2-520403-2_L.2d_dxf.zip](#)

English

Customer View Model

[ENG_CVM_CVM_2-520403-2_L.3d_igs.zip](#)

English

Customer View Model

[ENG_CVM_CVM_2-520403-2_L.3d_stp.zip](#)

English

By downloading the CAD file I accept and agree to the [Terms and Conditions](#) of use.

Datasheets & Catalog Pages



Ultra-Fast and Ultra Fast Plus

English

Product Specifications

Application Specification

English

Agency Approvals

Agency Approval Document

English