



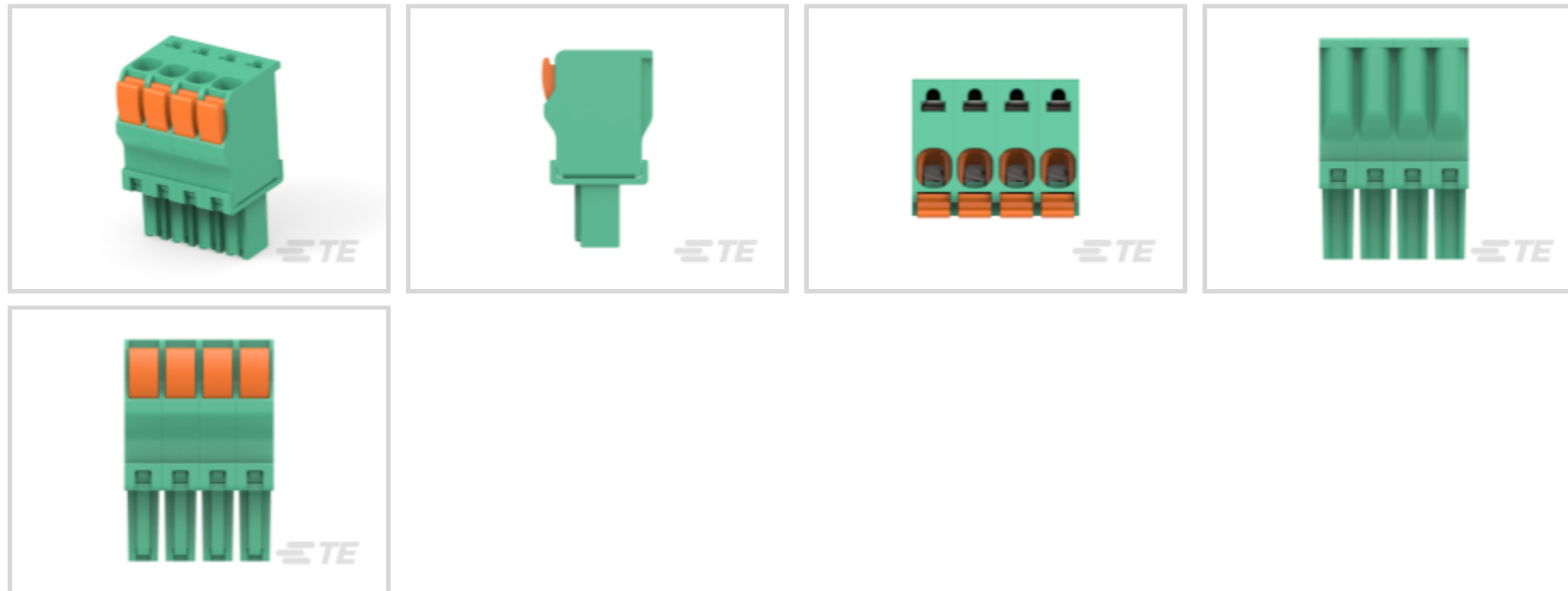
Buchanan

TE Internal #: 1986692-4

Plug, Wire-to-Board, 4 Position, 3.5 mm [.138 in] Centerline, 1 Row, 180° Wire Entry Angle, 30 – 14 AWG Wire Size, PCB Terminal Blocks

[View on TE.com >](#)

Connectors > Terminal Blocks & Strips > PCB Terminal Blocks



EU RoHS Compliance: **Compliant**

EU ELV Compliance: **Compliant**

Terminal Block Connector Type: **Plug**

Connector System: **Wire-to-Board**

Number of Positions: **4**

Features

Other

EU RoHS Compliance	Compliant
EU ELV Compliance	Compliant

Product Type Features

Wire Protection	With
Terminal Block Connector Type	Plug
Connector System	Wire-to-Board
Connector & Contact Terminates To	Wire & Cable

Configuration Features

Wire Entry Location	Top
Stacking Configuration	Side Stackable
Number of Positions	4
Number of Rows	1
Wire Entry Angle	180°

Electrical Characteristics

--	--



Operating Voltage	300 VAC
-------------------	---------

Body Features

Primary Product Color	Green
-----------------------	-------

Product Orientation	Vertical
---------------------	----------

Lever Color	Orange
-------------	--------

Contact Features

Contact Mating Area Plating Material	Tin
--------------------------------------	-----

Contact Base Material	Copper Alloy
-----------------------	--------------

Contact Current Rating (Max)	11 A
------------------------------	------

Termination Features

Termination Method to Wire & Cable	Spring Terminal, Push-in
------------------------------------	--------------------------

Housing Features

Housing Material	PA 66
------------------	-------

Centerline (Pitch)	3.5 mm [.138 in]
--------------------	------------------

Dimensions

Wire Size	30 – 14 AWG
-----------	-------------

Usage Conditions

Operating Temperature Range	-40 – 65 °C [-40 – 149 °F]
-----------------------------	----------------------------

Operation/Application

Circuit Application	Power & Signal
---------------------	----------------

Packaging Features

Packaging Method	Box
------------------	-----

Packaging Quantity	150
--------------------	-----

Product Compliance

[For compliance documentation, visit the product page on TE.com>](#)

EU RoHS Directive 2011/65/EU	Compliant
------------------------------	-----------

EU ELV Directive 2000/53/EC	Compliant
-----------------------------	-----------

China RoHS 2 Directive MIIT Order No 32, 2016	No Restricted Materials Above Threshold
---	---

EU REACH Regulation (EC) No. 1907/2006	Current ECHA Candidate List: JUNE 2024 (241) Candidate List Declared Against: JUNE 2024 (241)
--	--



Does not contain REACH SVHC

Halogen Content

Low Halogen - Br, Cl, F, I < 900 ppm per homogenous material. Also BFR/CFR/PVC Free

Solder Process Capability

Wave solder capable to 265°C

Product Compliance Disclaimer

This information is provided based on reasonable inquiry of our suppliers and represents our current actual knowledge based on the information they provided. This information is subject to change. The part numbers that TE has identified as EU RoHS compliant have a maximum concentration of 0.1% by weight in homogenous materials for lead, hexavalent chromium, mercury, PBB, PBDE, DBP, BBP, DEHP, DIBP, and 0.01% for cadmium, or qualify for an exemption to these limits as defined in the Annexes of Directive 2011/65/EU (RoHS2). Finished electrical and electronic equipment products will be CE marked as required by Directive 2011/65/EU. Components may not be CE marked. Additionally, the part numbers that TE has identified as EU ELV compliant have a maximum concentration of 0.1% by weight in homogenous materials for lead, hexavalent chromium, and mercury, and 0.01% for cadmium, or qualify for an exemption to these limits as defined in the Annexes of Directive 2000/53/EC (ELV). Regarding the REACH Regulation, the information TE provides on SVHC in articles for this part number is based on the latest European Chemicals Agency (ECHA) 'Guidance on requirements for substances in articles' posted at this URL: <https://echa.europa.eu/guidance-documents/guidance-on-reach>

Compatible Parts



TE Part # 284512-4
4 POS TERMI-BLOK HDR 900 POLAR



TE Part # 1986720-4
STR PLUG SPRING TYPE RH 4P, 3.81 mm



TE Part # 2342071-4
4POS HDR ST,HT, 3.5MM PITCH, TL 1.9MM

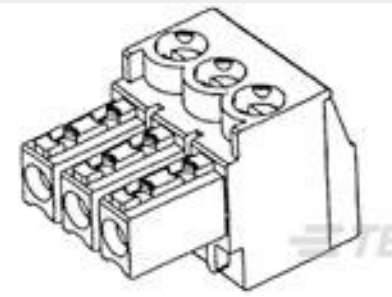


TE Part # 2342076-4
4POS HDR 90 DEG,HT,3.5MM PITCH, TL 1.9MM

Customers Also Bought



TE Part #826926-2
AMPMODU II PIN HEADER



TE Part #284506-3
3 POS TERMI-BLOK PLUG STACK 3,



TE Part #1986692-2
STR PLUG SPRING TYPE RH 2P, 3.50 mm



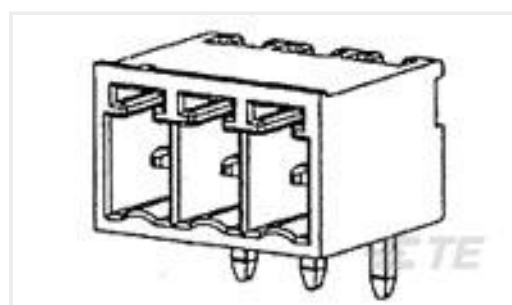
TE Part #T1509101000-000
H10A-AGS



TE Part #5677552005
RNF-3000-1.5/0.5-0-STK



TE Part #3-456406-3
CRIMPER, WIRE .090 "F"



TE Part #284512-3
3 POS TERMI-BLOK HDR 900 POLAR



TE Part #ANT-GNCP-C106L160
Antenna GNSS L1 10x10 LNA 1.13 UFL



TE Part #ANT-GNCP-C185L160
Antenna GNSS L1 18x18 LNA 1.13 UFL



TE Part #ANT-GNCP-CA158L160
Antenna GNSS L1 15x15 LNA 1.13 UFL

Documents

Product Drawings

[STR PLUG SPRING TYPE RH 4P, 3.50mm](#)

English

CAD Files

Customer View Model

[ENG_CVM_CVM_1986692-4_A.2d_dxf.zip](#)

English

[3D PDF](#)

3D

Customer View Model

[ENG_CVM_CVM_1986692-4_A.3d_igs.zip](#)

English

Customer View Model

[ENG_CVM_CVM_1986692-4_A.3d_stp.zip](#)

English

By downloading the CAD file I accept and agree to the [Terms and Conditions](#) of use.

Datasheets & Catalog Pages

[2-1773464-1_Spring_Type_Straight_Plugs](#)

English

Agency Approvals

[UL](#)

English