

61097-1 ✓ ACTIVE

AMP-IN

TE Internal #: 61097-1

Receptacle, PCB Hole Diameter 5.21 mm [.263 in], Through Hole - Press-Fit, Pre-Tin Plating, Bag, Terminates To Printed Circuit Board, PCB Terminals

[View on TE.com >](#)



Terminals & Splices > PCB Terminals



PCB Terminal Type: **Receptacle**

PCB Thickness (Recommended): 1.6 mm [.063 in]

PCB Hole Diameter: 5.21 mm [.263 in]

Mating Pin Diameter: 1.47 mm [.058 in]

Profile Height from PCB: 5.33 mm [.212 in]

Features

Product Type Features

Terminal Features	Stud Hole
-------------------	-----------

Usage Conditions

Insulation Option	Uninsulated
Operating Temperature Range	-55 – 105 °C[-67 – 221 °F]

Packaging Features

Packaging Quantity	1000
Packaging Method	Bag

Dimensions

Extension Below Board	2.54 mm[.1 in]
Terminal Material Thickness	.25 mm[.01 in]
PCB Thickness (Recommended)	1.6 mm[.063 in]
PCB Hole Diameter	5.21 mm[.263 in]
Profile Height from PCB	5.33 mm[.212 in]



Contact Features

PCB Terminal Type	Receptacle
Mating Pin Diameter	1.47 mm[.058 in]
Terminal Plating Material	Pre-Tin
Terminal Size	Miniature
Terminal Orientation	Straight

Termination Features

Termination Method to PCB	Through Hole - Press-Fit
Product Terminates To	Printed Circuit Board

Mechanical Attachment

Wire Insulation Support	Without
-------------------------	---------

Other

EU RoHS Compliance	Compliant
EU ELV Compliance	Compliant

Product Compliance

[For compliance documentation, visit the product page on TE.com>](#)

EU RoHS Directive 2011/65/EU	Compliant
EU ELV Directive 2000/53/EC	Compliant
China RoHS 2 Directive MIIT Order No 32, 2016	No Restricted Materials Above Threshold
EU REACH Regulation (EC) No. 1907/2006	Current ECHA Candidate List: JUNE 2024 (241) Candidate List Declared Against: JUNE 2024 (241) Does not contain REACH SVHC
Halogen Content	Low Halogen - Br, Cl, F, I < 900 ppm per homogenous material. Also BFR/CFR/PVC Free
Solder Process Capability	Wave solder capable to 265°C

Product Compliance Disclaimer

This information is provided based on reasonable inquiry of our suppliers and represents our current actual knowledge based on the information they provided. This information is subject to change. The part numbers that TE has identified as EU RoHS compliant have a maximum concentration of 0.1% by weight in homogenous materials for lead, hexavalent chromium, mercury, PBB, PBDE, DBP, BBP, DEHP, DIBP, and 0.01% for cadmium, or qualify for an exemption to these limits as defined in the Annexes of Directive 2011/65/EU (RoHS2). Finished electrical and electronic equipment products will be CE marked as required by Directive 2011/65/EU. Components may not be CE marked. Additionally, the part numbers that TE has identified as EU ELV compliant have a maximum concentration of 0.1% by weight in homogenous materials for lead, hexavalent chromium, and mercury, and 0.01% for cadmium, or qualify for an exemption to these limits

as defined in the Annexes of Directive 2000/53/EC (ELV). Regarding the REACH Regulation, the information TE provides on SVHC in articles for this part number is based on the latest European Chemicals Agency (ECHA) 'Guidance on requirements for substances in articles' posted at this URL: <https://echa.europa.eu/guidance-documents/guidance-on-reach>

Compatible Parts



TE Part # 641944-1
.058 DIA PIN PC PTPHBZ



TE Part # 689141-1
INSERTION TOOL



TE Part # 3-60753-2
.058 DIA PIN TPBR

Customers Also Bought



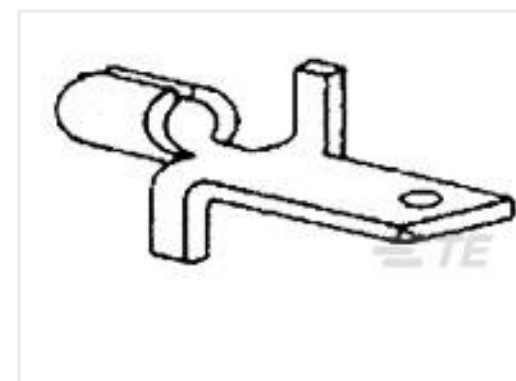
TE Part #2-1415898-5
RTS3LF12



TE Part #120953-5
UPM EXPANDED RCPT ASSEMBLY



TE Part #170330-2
PL 187 RECEPTACLE 24-20 AWG
NPPHBZ



TE Part #61134-3
110 FASTON TAB TPBR



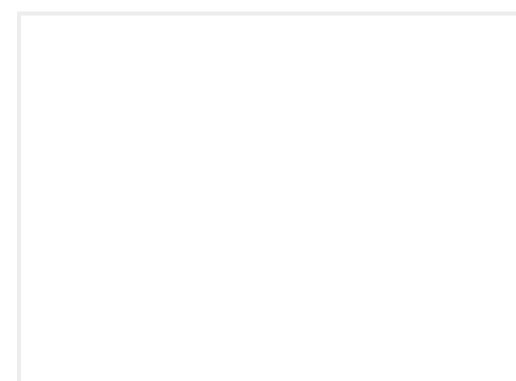
TE Part #1-1705950-2
Modular Jack SE, 6/4, Gold flash



TE Part #487378-6
007 HOUSING FFC RCPT 100CL SR



TE Part #5677632005
RNF-3000 Heat Shrink Tubing



TE Part #C857253001
CLFH-316CK0135

Documents

Product Drawings

[.058 DIA PIN L/P](#)

English

CAD Files

[3D PDF](#)

3D

Customer View Model

[ENG_CVM_CVM_61097-1_F_c-61097-1-f.2d_dxf.zip](#)

English

Customer View Model



[ENG_CVM_CVM_61097-1_F_c-61097-1-f.3d_igs.zip](#)

English

Customer View Model

[ENG_CVM_CVM_61097-1_F_c-61097-1-f.3d_stp.zip](#)

English

By downloading the CAD file I accept and agree to the [Terms and Conditions](#) of use.

Datasheets & Catalog Pages

[PRINTED CIRCUIT BOARD TERMINALS AND DISCONNECTS](#)

English

Product Specifications

[Application Specification](#)

English