

1658641-2 **x** OBSOLETE



**AMPLIMITE**

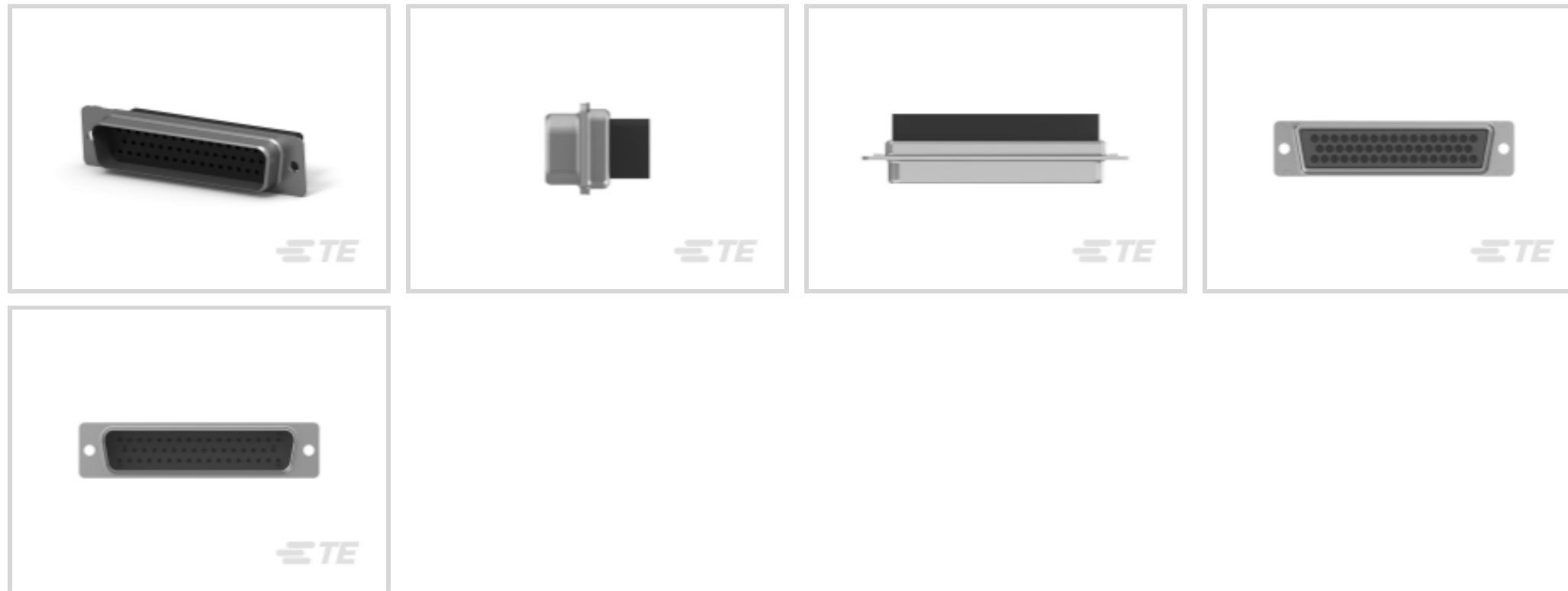
TE Internal #: 1658641-2

TE Internal Description: HDP-20,PLUG,SIZE 5, 50 POSN

D-Sub Crimp: Plug, Signal, 50 Posn, Pin Size 20, Shell Size 5

[View on TE.com >](#)

Connectors > D-Shaped Connectors > D-Sub Connectors > Crimp D-Sub Connectors > D-Sub Crimp: Plug, Signal, 50 Posn, Pin Size 20, Shell Size 5



Connector & Housing Type: **Plug**

Connector System: **Cable-to-Cable**

Number of Positions: **50**

Contact Size: **Size 20**

Connector Shell Size: **5**

[All D-Sub Crimp: Plug, Signal, 50 Posn, Pin Size 20, Shell Size 5 \(3\)](#)

**Features**

**Product Type Features**

|                                   |                   |
|-----------------------------------|-------------------|
| Connector & Housing Type          | Plug              |
| Connector System                  | Cable-to-Cable    |
| Connector Shell Size              | 5                 |
| Sealable                          | No                |
| Shell Material Configuration      | Full Metal Shell  |
| Connector & Contact Terminates To | Wire & Cable      |
| Ground Feature Type               | Grounding Indents |

**Configuration Features**

|                     |    |
|---------------------|----|
| Number of Positions | 50 |
|---------------------|----|

**Contact Features**

|                 |                  |
|-----------------|------------------|
| Contact Size    | Size 20          |
| Contact Options | Order Separately |

**Mechanical Attachment**

|                  |      |
|------------------|------|
| Mating Retention | With |
|------------------|------|

|                       |                |
|-----------------------|----------------|
| Mating Retention Type | Mounting Holes |
|-----------------------|----------------|

### Operation/Application

|          |    |
|----------|----|
| Shielded | No |
|----------|----|

|                     |        |
|---------------------|--------|
| Circuit Application | Signal |
|---------------------|--------|

### Housing Features

|                    |  |
|--------------------|--|
| Centerline (Pitch) | 2.76 mm, 2.79 mm, 2.74 mm [.108 in][.11 in][.109 in] |
|--------------------|--|

|                  |                        |
|------------------|------------------------|
| Housing Material | Nylon GF, Polyester GF |
|------------------|------------------------|

|                |       |
|----------------|-------|
| Shell Material | Steel |
|----------------|-------|

### Usage Conditions

|                             |                             |
|-----------------------------|-----------------------------|
| Operating Temperature Range | -55 – 105 °C [-67 – 221 °F] |
|-----------------------------|-----------------------------|

### Other

|                    |           |
|--------------------|-----------|
| EU RoHS Compliance | Compliant |
|--------------------|-----------|

|                   |           |
|-------------------|-----------|
| EU ELV Compliance | Compliant |
|-------------------|-----------|

### Body Features

|                        |     |
|------------------------|-----|
| Shell Plating Material | Tin |
|------------------------|-----|

|                       |       |
|-----------------------|-------|
| Primary Product Color | Black |
|-----------------------|-------|

|                 |                    |
|-----------------|--------------------|
| Insert Material | Glass-Filled Nylon |
|-----------------|--------------------|

### Termination Features

|                                    |       |
|------------------------------------|-------|
| Termination Method to Wire & Cable | Crimp |
|------------------------------------|-------|

### Dimensions

|                                      |                 |
|--------------------------------------|-----------------|
| Compatible Insulation Diameter Range | 4.58 – 11.68 mm |
|--------------------------------------|-----------------|

|           |             |
|-----------|-------------|
| Wire Size | 24 – 20 AWG |
|-----------|-------------|

### Industry Standards

|                        |          |
|------------------------|----------|
| UL Flammability Rating | UL 94V-0 |
|------------------------|----------|

### Packaging Features

|                  |         |
|------------------|---------|
| Packaging Method | Package |
|------------------|---------|

|                    |     |
|--------------------|-----|
| Packaging Quantity | 225 |
|--------------------|-----|

### Product Compliance

[For compliance documentation, visit the product page on TE.com>](#)



|   |  |
|---|--|
| EU RoHS Directive 2011/65/EU                  | Compliant  |
| EU ELV Directive 2000/53/EC                   | Compliant  |
| China RoHS 2 Directive MIIT Order No 32, 2016 | No Restricted Materials Above Threshold  |
| EU REACH Regulation (EC) No. 1907/2006        | Current ECHA Candidate List: JUNE 2024 (241)<br>Candidate List Declared Against: JAN 2024 (240)<br>Does not contain REACH SVHC |
| Halogen Content                               | Not Low Halogen - contains Br or Cl > 900 ppm.   |
| Solder Process Capability                     | Not applicable for solder process capability   |

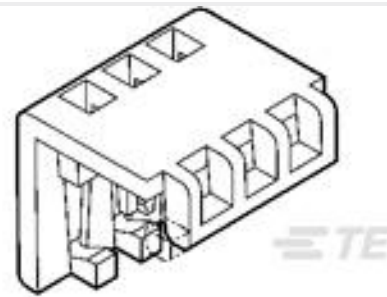
Product Compliance Disclaimer

This information is provided based on reasonable inquiry of our suppliers and represents our current actual knowledge based on the information they provided. This information is subject to change. The part numbers that TE has identified as EU RoHS compliant have a maximum concentration of 0.1% by weight in homogenous materials for lead, hexavalent chromium, mercury, PBB, PBDE, DBP, BBP, DEHP, DIBP, and 0.01% for cadmium, or qualify for an exemption to these limits as defined in the Annexes of Directive 2011/65/EU (RoHS2). Finished electrical and electronic equipment products will be CE marked as required by Directive 2011/65/EU. Components may not be CE marked. Additionally, the part numbers that TE has identified as EU ELV compliant have a maximum concentration of 0.1% by weight in homogenous materials for lead, hexavalent chromium, and mercury, and 0.01% for cadmium, or qualify for an exemption to these limits as defined in the Annexes of Directive 2000/53/EC (ELV). Regarding the REACH Regulation, the information TE provides on SVHC in articles for this part number is based on the latest European Chemicals Agency (ECHA) 'Guidance on requirements for substances in articles' posted at this URL: <https://echa.europa.eu/guidance-documents/guidance-on-reach>

### Customers Also Bought




TE Part #207464-2  
CRIMP SNAP PLUG ASSY,SZ 3



TE Part #643075-9  
09P MTA100 MOLDED COVER



TE Part #66506-9  
PIN CONTACT, 20 DF



TE Part #5745173-3  
CABLE CLAMP KIT,SZ 3



TE Part #1658672-1  
HDP-22,PLUG,SIZE 3,44 POSN



TE Part #1658620-4  
20 NOVO MIL 15DP, LEAD FREE



TE Part #1658623-2  
14 NOVO MIL 30DP, LEAD FREE



TE Part #4-1393159-0  
20C259=SPRING,HOLD-DOWN,R10,0



## Documents

### Product Drawings

[HDP-20,PLUG,SIZE 5, 50 POSN](#)

English

### CAD Files

Customer View Model

[ENG\\_CVM\\_CVM\\_1658641-2\\_D.2d\\_dxf.zip](#)

English

[3D PDF](#)

3D

Customer View Model

[ENG\\_CVM\\_CVM\\_1658641-2\\_D.3d\\_igs.zip](#)

English

Customer View Model

[ENG\\_CVM\\_CVM\\_1658641-2\\_D.3d\\_stp.zip](#)

English

By downloading the CAD file I accept and agree to the [Terms and Conditions](#) of use.

### Datasheets & Catalog Pages

[AMPLIMITE Subminiature D Connectors - Cable Connectors](#)

English

[AMPLIMITE Cable Connectors and Shielding Hardware Kits QRG](#)

English

### Product Specifications

[Application Specification](#)

English

### Instruction Sheets

[Instruction Sheet \(U.S.\)](#)

English

### Agency Approvals

[CSA Certificate](#)

English