

36964 ✓ ACTIVE

TE Internal #: 36964

Closed End Splice, 22 – 14 AWG Wire Size, .3 – 2 mm² Wire Size, .509 – 5.18 kcmil Wire Size, 509 – 5180 CMA Wire Size, Copper, Purple, Splices

[View on TE.com >](#)



Terminals & Splices > Splices



Splice Type: **Closed End Splice**

Wire Size: **.3 – 2 mm²**

Sealable: **No**

Compatible Insulation Diameter Range: **4.75 mm [.187 in]**

Features

Identification Marking

Splice Marking	VS
----------------	----

Packaging Features

Packaging Quantity	1000
Packaging Method	Loose Piece

Body Features

Product Weight	.567 g
Primary Product Color	Purple

Contact Features

Terminal Plating Material	Tin
Contact Base Material	Copper
Barrel Type	Closed

Product Type Features

Splice Accessory Type	Splice
Splice Type	Closed End Splice
Sealable	No



Compatible With Discrete Wire Type	Solid, Stranded
------------------------------------	-----------------

Wire Insulation Support Retention Type	Insulation Support
--	--------------------

Configuration Features

Compatible With Wire & Cable Type	Discrete Wire
-----------------------------------	---------------

Mechanical Attachment

Wire Insulation Support	Without
-------------------------	---------

Dimensions

Wire Size	.509 – 5.18 kcmil
-----------	-------------------

Compatible Insulation Diameter Range	4.75 mm[.187 in]
--------------------------------------	------------------

Terminal Material Thickness	.69 mm[.027 in]
-----------------------------	-----------------

Product Length	21.21 mm[.835 in]
----------------	-------------------

Usage Conditions

Insulation Option	Fully Insulated
-------------------	-----------------

Operating Temperature Range	90 °C[194 °F]
-----------------------------	---------------

Operation/Application

Compatible With Wire Base Material	Copper
------------------------------------	--------

Industry Standards

Government Qualified Splice	No
-----------------------------	----

Other

EU RoHS Compliance	Compliant
--------------------	-----------

EU ELV Compliance	Compliant
-------------------	-----------

Product Compliance

[For compliance documentation, visit the product page on TE.com>](#)

EU RoHS Directive 2011/65/EU	Compliant
------------------------------	-----------

EU ELV Directive 2000/53/EC	Compliant
-----------------------------	-----------

China RoHS 2 Directive MIIT Order No 32, 2016	No Restricted Materials Above Threshold
---	---

EU REACH Regulation (EC) No. 1907/2006	Current ECHA Candidate List: JUNE 2024 (241) Candidate List Declared Against: JUNE 2024 (241) Does not contain REACH SVHC
--	---

Halogen Content	Not Low Halogen - contains Br or Cl > 900 ppm.
-----------------	--



Solder Process Capability

Not applicable for solder process capability

Product Compliance Disclaimer

This information is provided based on reasonable inquiry of our suppliers and represents our current actual knowledge based on the information they provided. This information is subject to change. The part numbers that TE has identified as EU RoHS compliant have a maximum concentration of 0.1% by weight in homogenous materials for lead, hexavalent chromium, mercury, PBB, PBDE, DBP, BBP, DEHP, DIBP, and 0.01% for cadmium, or qualify for an exemption to these limits as defined in the Annexes of Directive 2011/65/EU (RoHS2). Finished electrical and electronic equipment products will be CE marked as required by Directive 2011/65/EU. Components may not be CE marked. Additionally, the part numbers that TE has identified as EU ELV compliant have a maximum concentration of 0.1% by weight in homogenous materials for lead, hexavalent chromium, and mercury, and 0.01% for cadmium, or qualify for an exemption to these limits as defined in the Annexes of Directive 2000/53/EC (ELV). Regarding the REACH Regulation, the information TE provides on SVHC in articles for this part number is based on the latest European Chemicals Agency (ECHA) 'Guidance on requirements for substances in articles' posted at this URL: <https://echa.europa.eu/guidance-documents/guidance-on-reach>

Compatible Parts



REPRESENTATION ONLY

TE Part # 45216
DAHT AMP CLOSED END SPLICES 22-14 ASSY



TE Part # 217212-1
PRO-CR ASSY, CES



TE Part # 217212-2
PRO-CR DIE, CES



TE Part # 48208
DAHT CLOSED END SPLICES 22-10 ASSY

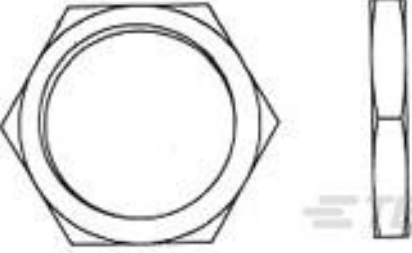
Customers Also Bought



TE Part #879251-000
222K152-25/86-0




TE Part #35274
TERMINAL,PIDG R 16-14 14



TE Part #1445904-1
NUT,JAM,3/4-20,PKG QTY 100



TE Part #1445816-1
RECPT,11-9,FLNG MT,STD KEY



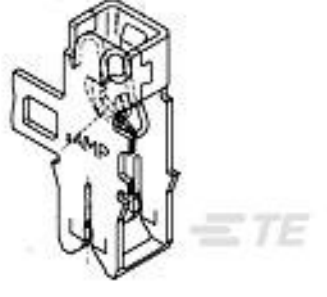
TE Part #151730
22-16 PIDG R/T 2BA NYLON EXP.1



TE Part #131332
TERM, TAB, PIDG, 12-10



TE Part #53440-2
ELECTRO-TAP, 20-18 AWG RUN&TAP



TE Part #1-964108-1
MAG-MATE KONTAKT

Documents

[Product Drawings](#)
[SPLICE,CE 22-14](#)



English

CAD Files

Customer View Model

[ENG_CVM_CVM_36964_W.2d_dxf.zip](#)

English

3D PDF

3D

Customer View Model

[ENG_CVM_CVM_36964_W.3d_igs.zip](#)

English

Customer View Model

[ENG_CVM_CVM_36964_W.3d_stp.zip](#)

English

By downloading the CAD file I accept and agree to the [Terms and Conditions](#) of use.

Instruction Sheets

[Instruction Sheet \(U.S.\)](#)

English

Agency Approvals

UL Report

English

UL Report

English

UL Report

English